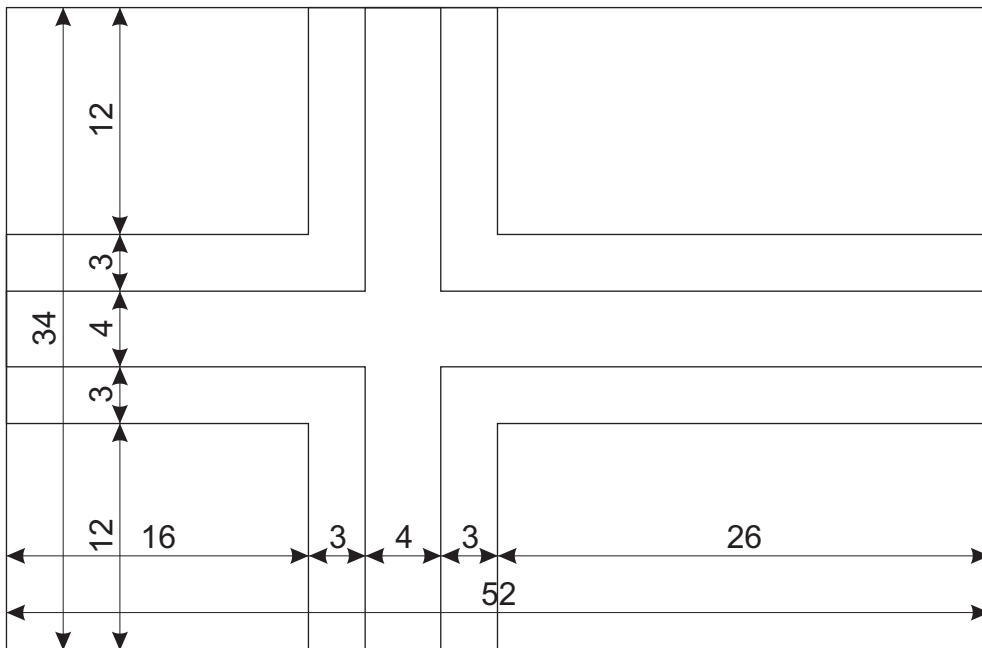


Afganistan

Adopted: 2004

Sources: FOTW, Wikipedia



Åland

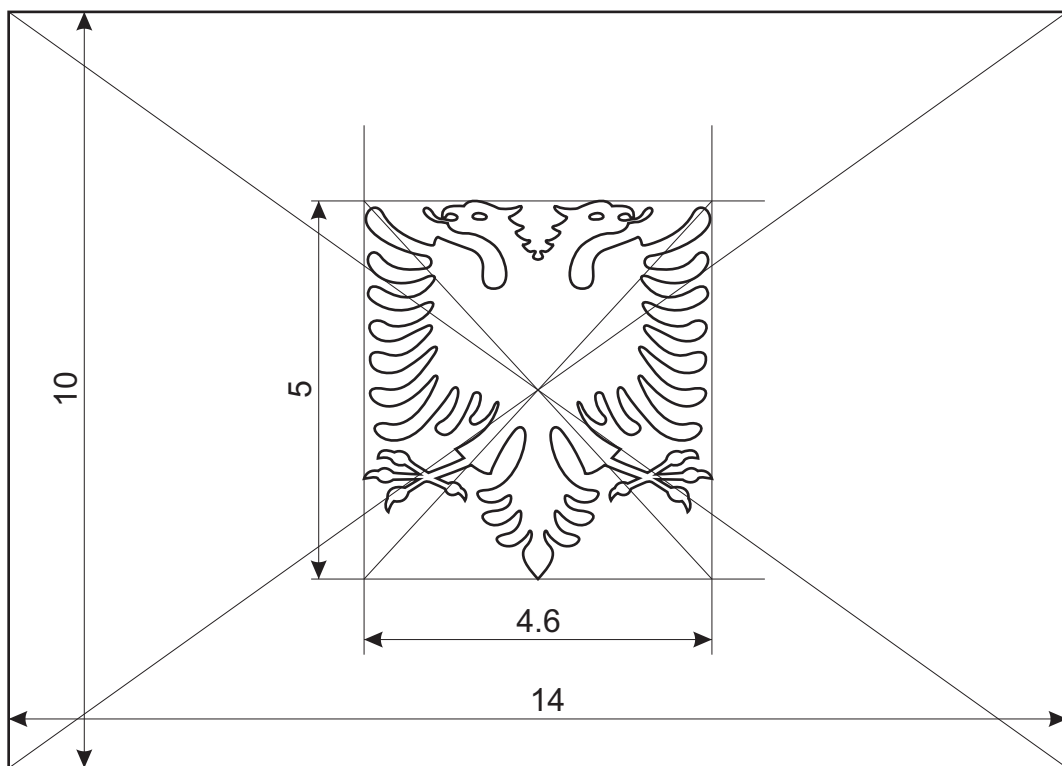
Hoitsed: 1954, Legislation: 1992

Sources:

FOTW

Landskapsförordning om riktlinjer för Ålands flaggas färger, Ålands Författningssamling, 2004 Nr 15, Mariehamn, 08.04.2004,

http://www.ls.aland.fi/.composer/upload/modules/lagar/afs2004_nr15.pdf



Albania

Adopted: 1992

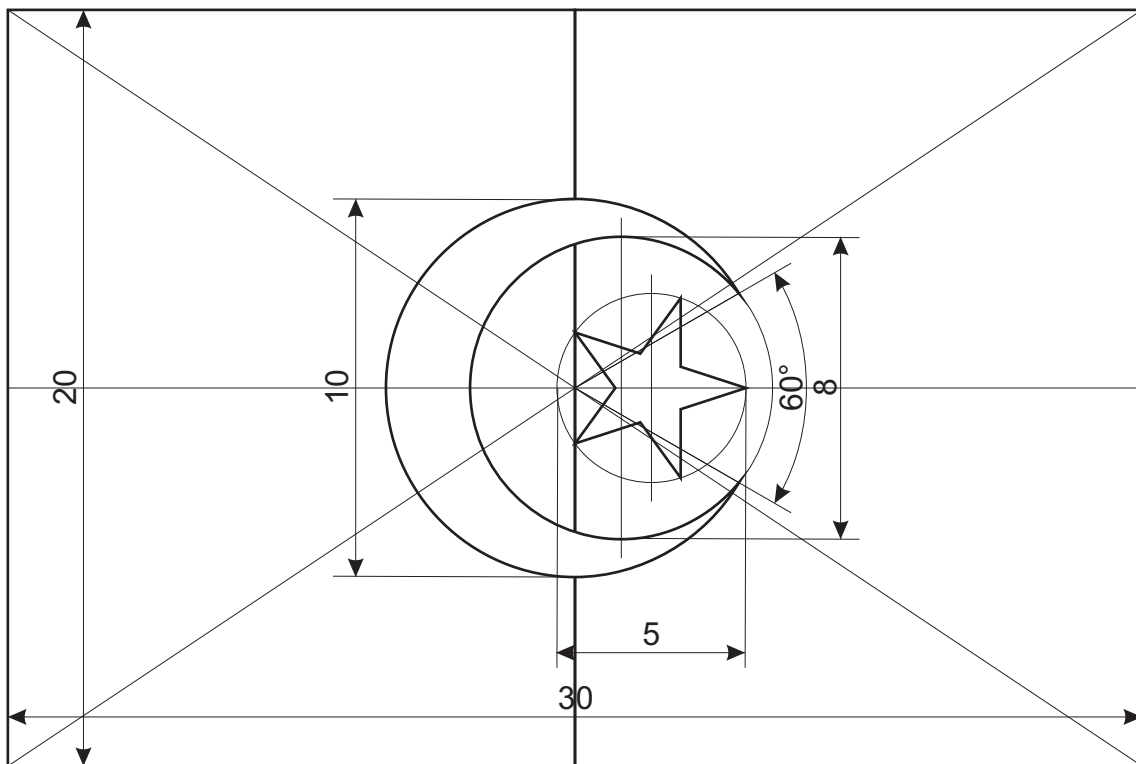
Sources:

FOTW, Album de Pavillons, 2000, Corr. 4

Ligj Nr.8926, datë 22.7.2002, për formën dhe përmasat e flamurit kombëtar, përmbajtjen e himnit kombëtar, formën dhe përmasat e stemës së Republikës të Shqipërisë dhe mënyrën e përdorimit të tyre

<http://www.qpz.gov.al/doc.jsp?doc=docs/Ligj%20Nr%208926%20Dat%C3%AB%2022-07-2002.htm>

* dimensions of the eagle not confirmed



Algeria

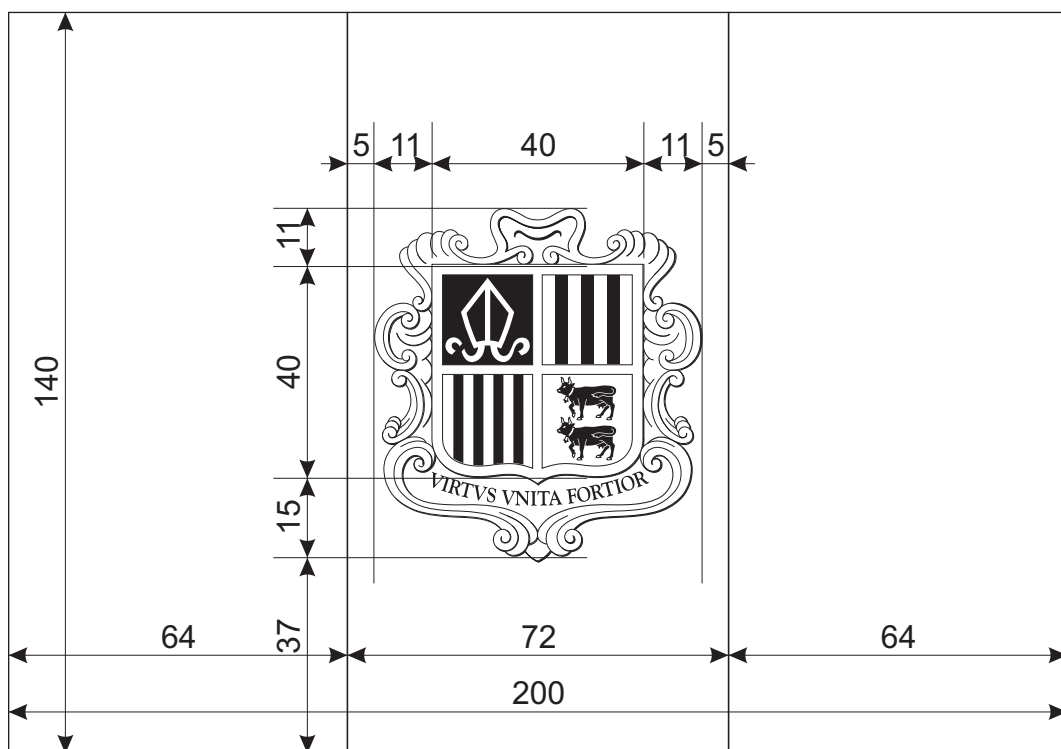
Adopted: 1962

Sources:

FOTW

Album de Pavillons, 2000, Corr. 4

Law n° 63-145 of April 25, 1963, <http://www.algeria-un.org/default.asp?doc=-flag>



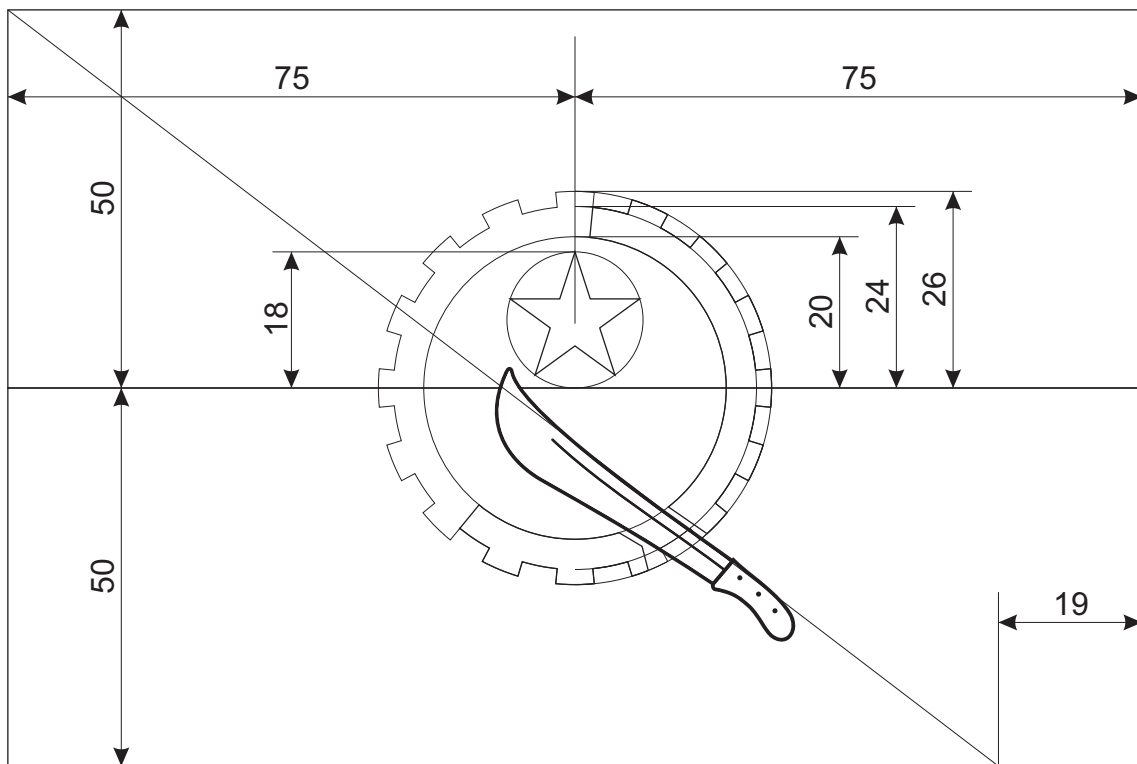
Andorra

Adopted: 1971

Sources:

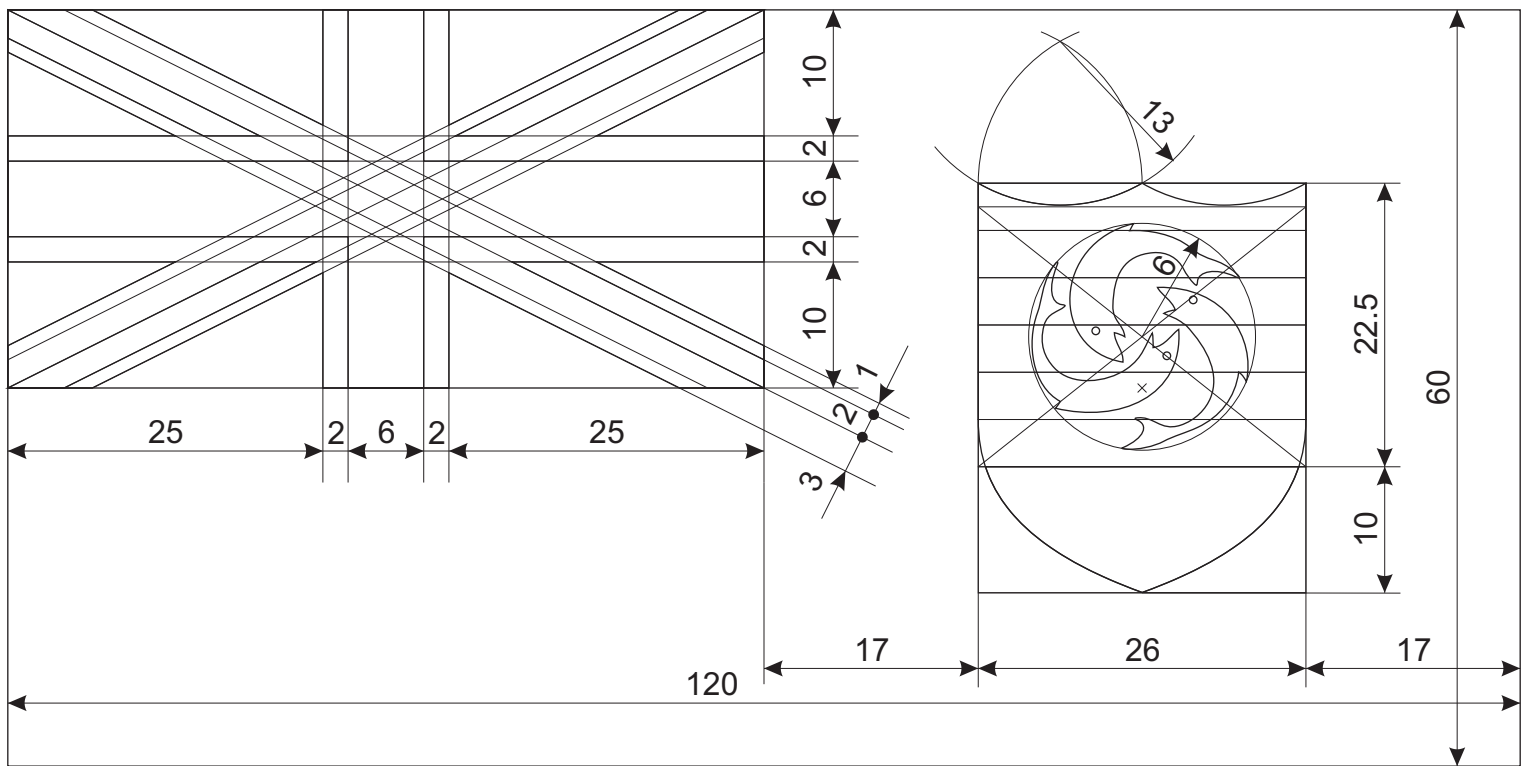
FOTW

Llibre de normes gràfiques per a la reproducció i aplicació dels signes d'Estat per als quals el Govern és autoritat competent, Govern d'Andorra, 05.05.1999.
<http://www.ompa.ad/angles/signes/normesgraf.pdf>



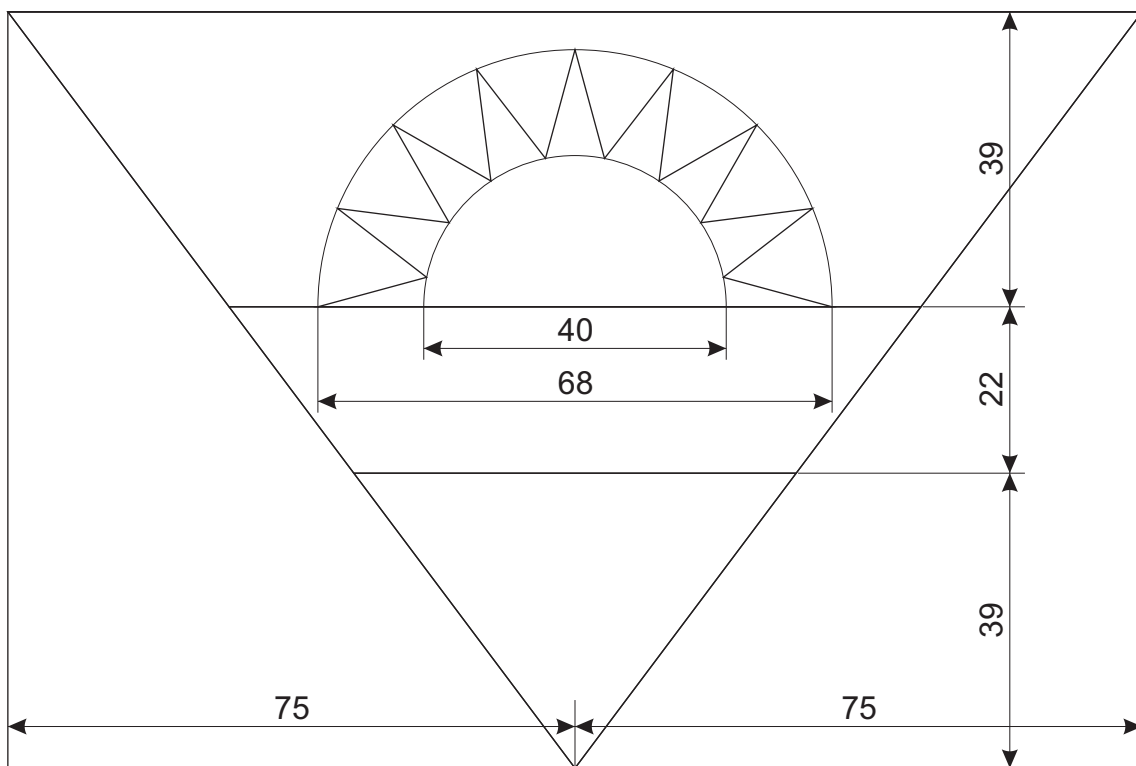
Angola

Adopted: 1975
Sources:
FOTW



Anguilla

Adopted: 1990
 Sources:
 FOTW, WFD, BR20

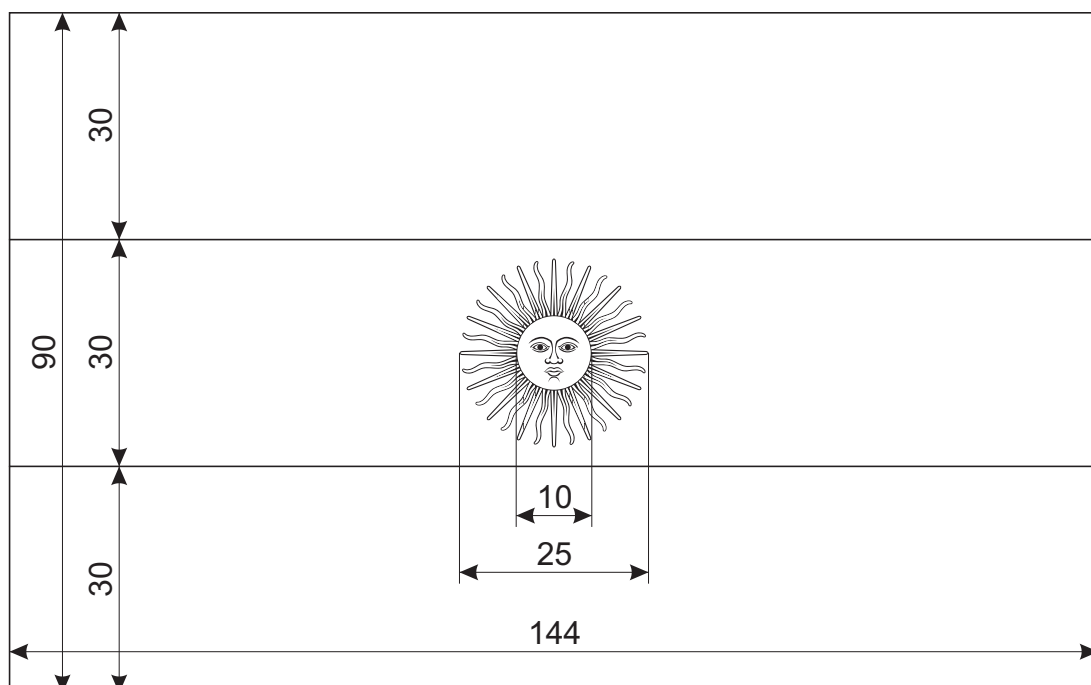


Antigua and Barbuda

Adopted: 1967

Sources:

FOTW, WFD, BR20



Argentina

Adopted: 1812

Sources:

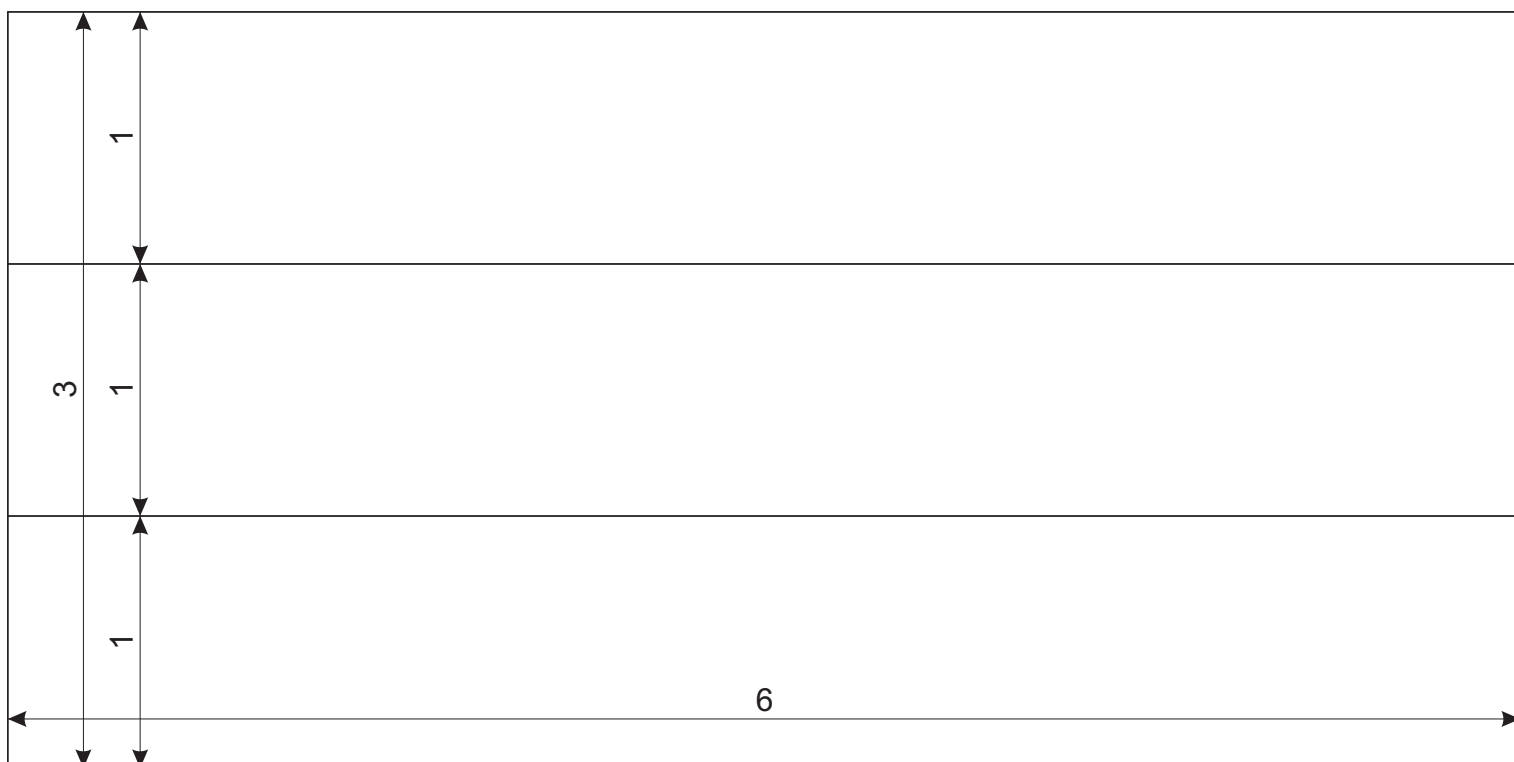
FOTW

Francisco Gregoric: "Definición de las características de la bandera nacional argentina", Estandarte - Publicación de la Asociación Argentina de Vexilología, No. 57, Marzo de 2011.

Normas IRAM, Decreto 1650/10 – SIMBOLOS NACIONALES Establécense las medidas, características de la tela, colores y accesorios de la Bandera

Argentina. B.O. 23/11/10 Bs. As., 16/11/2010

http://www.manuelbelgrano.gov.ar/bandera_colores.htm



Armenia

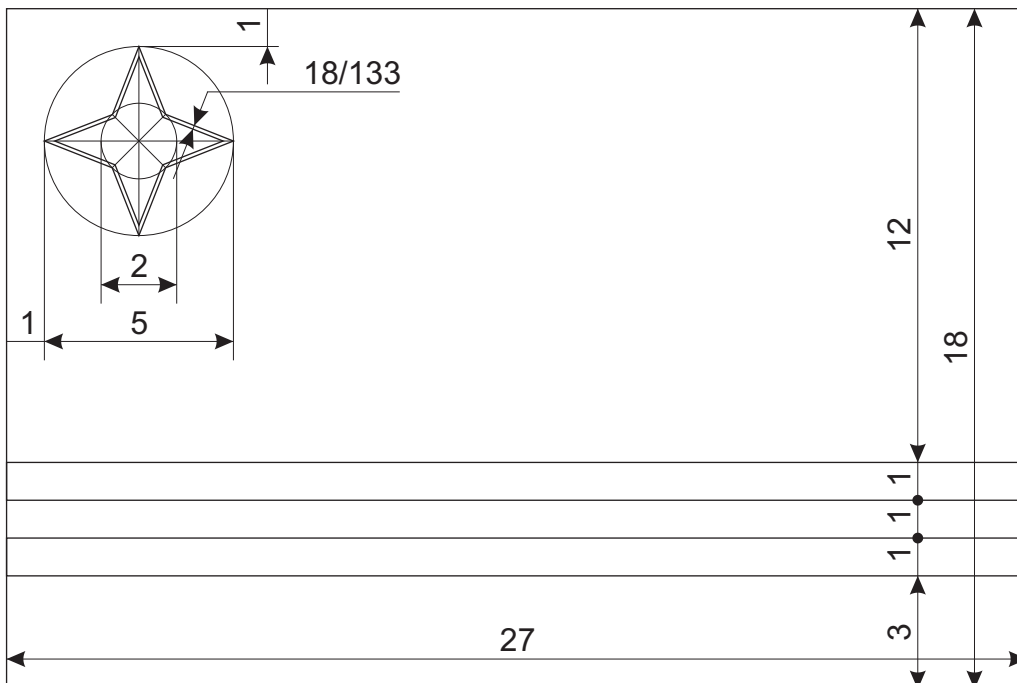
Adopted: 1990

Sources:

FOTW

Law on the national flag of the Republic of Armenia, No C-0076-1, 24.08.1990.

The Law On The Flag Of The Republic of Armenia, No 149, 04.07.2007.



Aruba

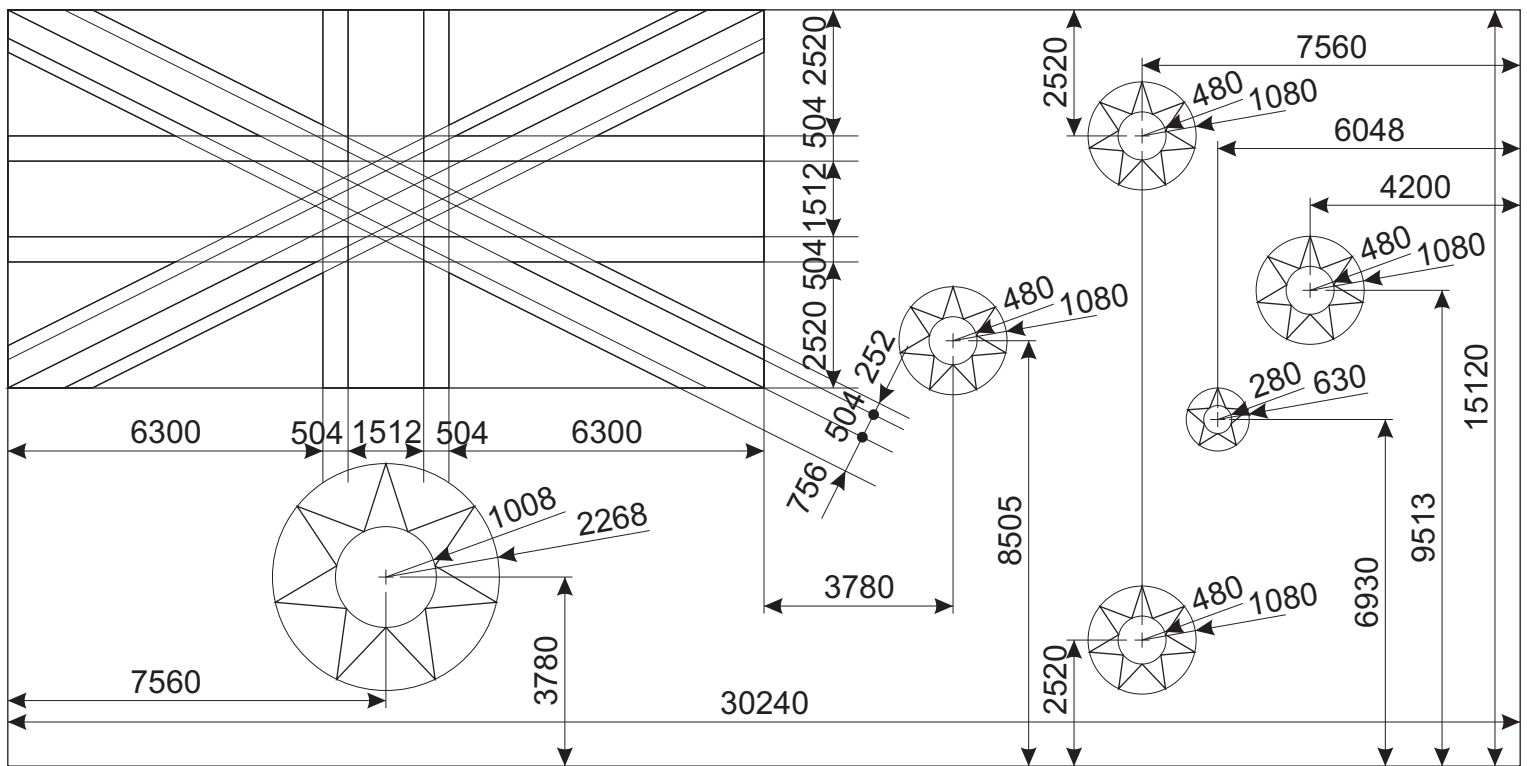
Adopted: 1976

Sources:

FOTW

Island Regulation of 14 March 1977

Resolution of the Island Council, No. 2509, 16 March 1976



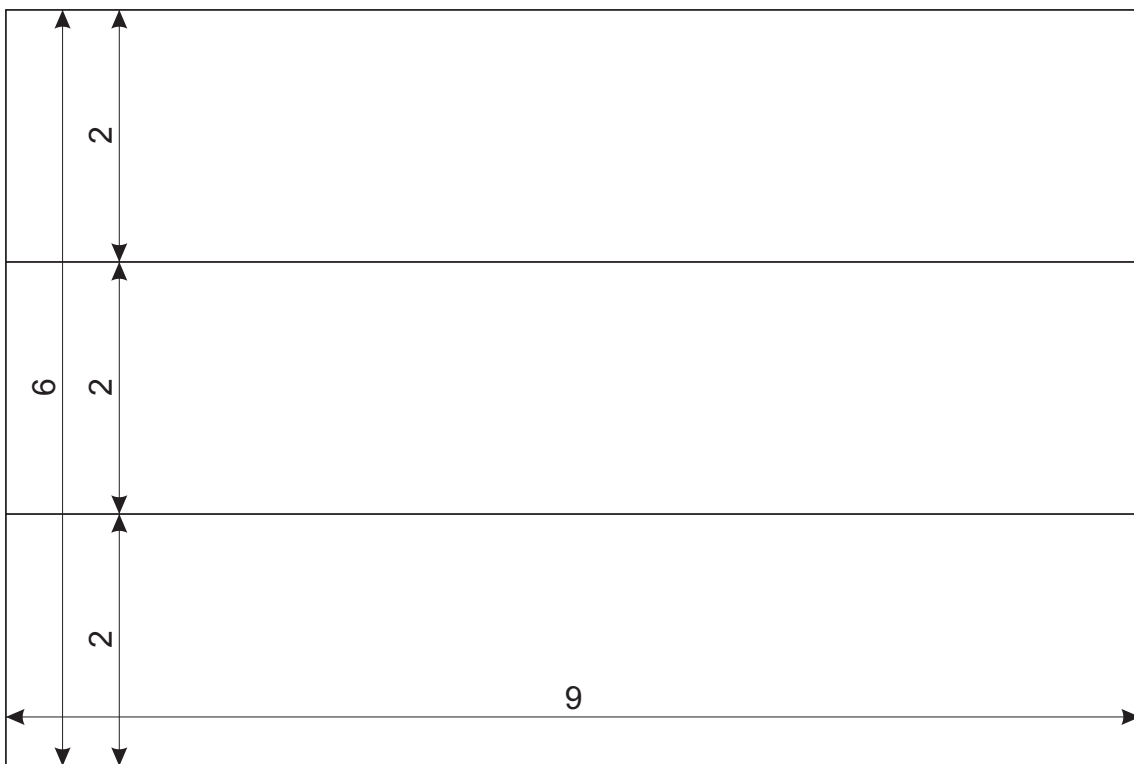
Australia

Adopted: 1934

Sources:

FOTW

Flags Act 1953 (An Act to declare a certain Flag to be the Australian National Flag and to make other provision with respect to Flags), Commonwealth Consolidated Acts, http://www.austlii.edu.au/au/legis/cth/consol_act/fa195361/



Austria

Adopted: 1945

Sources:

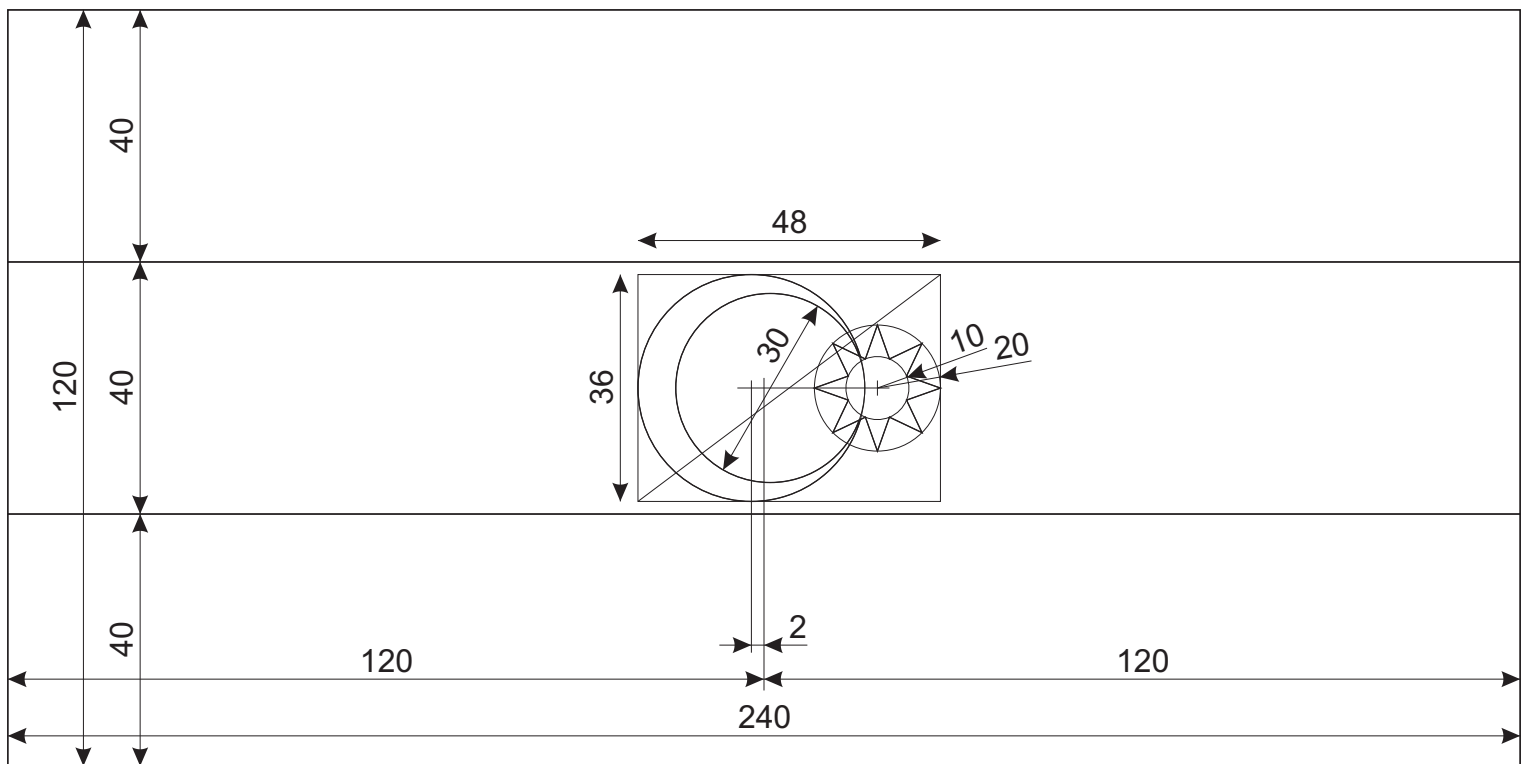
FOTW, FAME

Bundesgesetz vom 28. März 1984 über das Wappen und andere Hoheitszeichen der Republik Österreich (Wappengesetz), Bundesgesetzblatt für die Republik Österreich, 72. Stück, 25. April 1984.

Grundsätzliche Bestimmungen über die Verwendung des Hoheitszeichens sowie über die Verwendung, das Führen und das Setzen von Flaggen, Wimpel und Stander, 5. Juni 1984, Verlautbarungsblatt I des Bundesministeriums für Landesverteidigung, 65. Folge, 19. Dezember 1984.

Gesetz über Wappen, Farben, Siegel und Embleme der Republik (Wappengesetz), 01.05.1945, Staatsgesetzblattes 2/45 p. 44

Dr. Peter Diem: "Die Entwicklung des österreichischen Bundeswappens", <http://peterdiem.at/bundeswappen.htm> 2003



Azərbaycan

Adopted: 1991

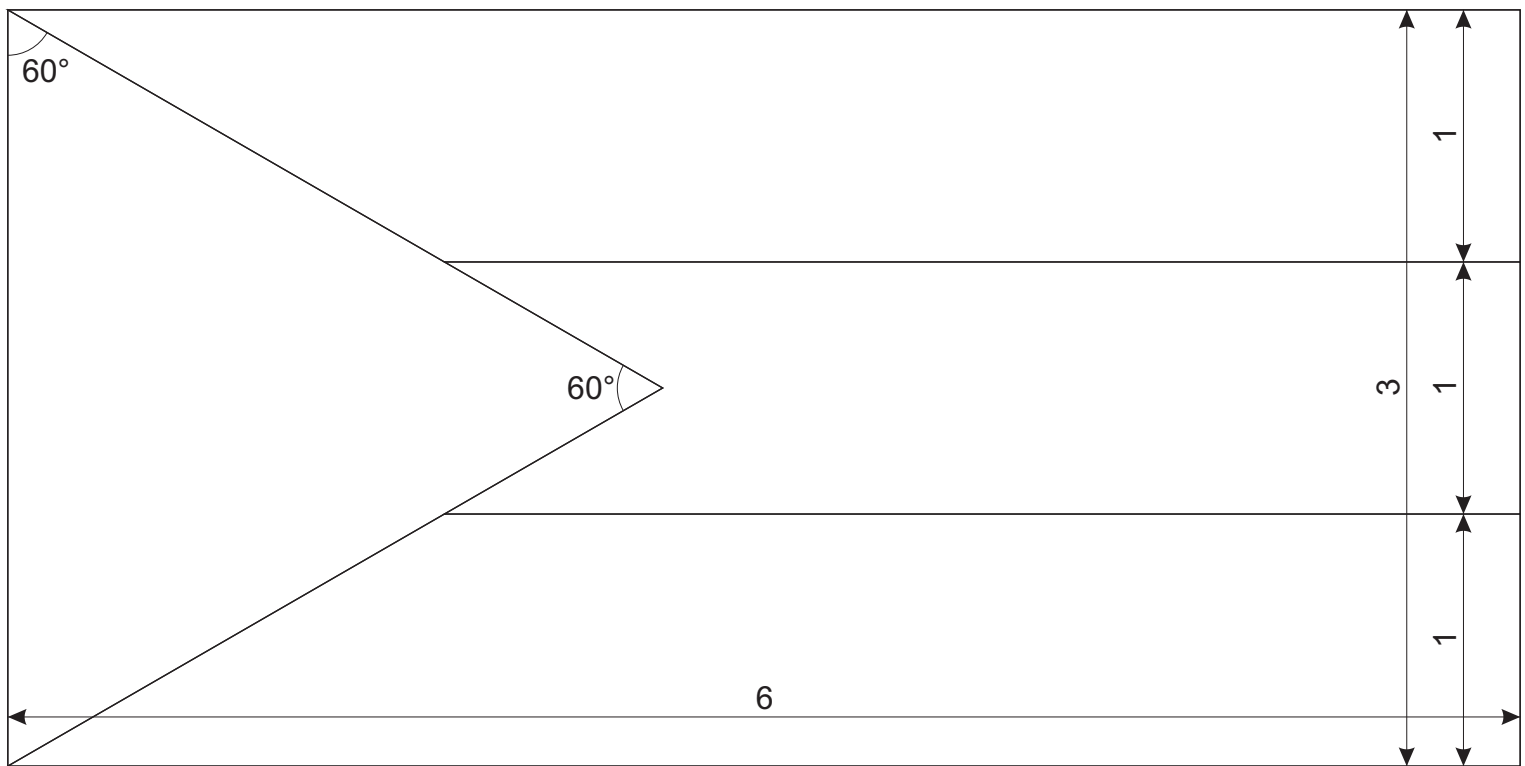
Sources:

FOTW

Bəyraq, Azərbaycan Respublikası Prezidentinin İşlər İdarəsinin, Prezident Kİtabxanası,

Azərbaycan Respublikasının Dövlət bəyrağı haqqında Əsasnamə (5 fevral 1991-ci il)

http://www.eLibrary.az/docs/remz/pdf/remz_bayraq.pdf



Bahamas

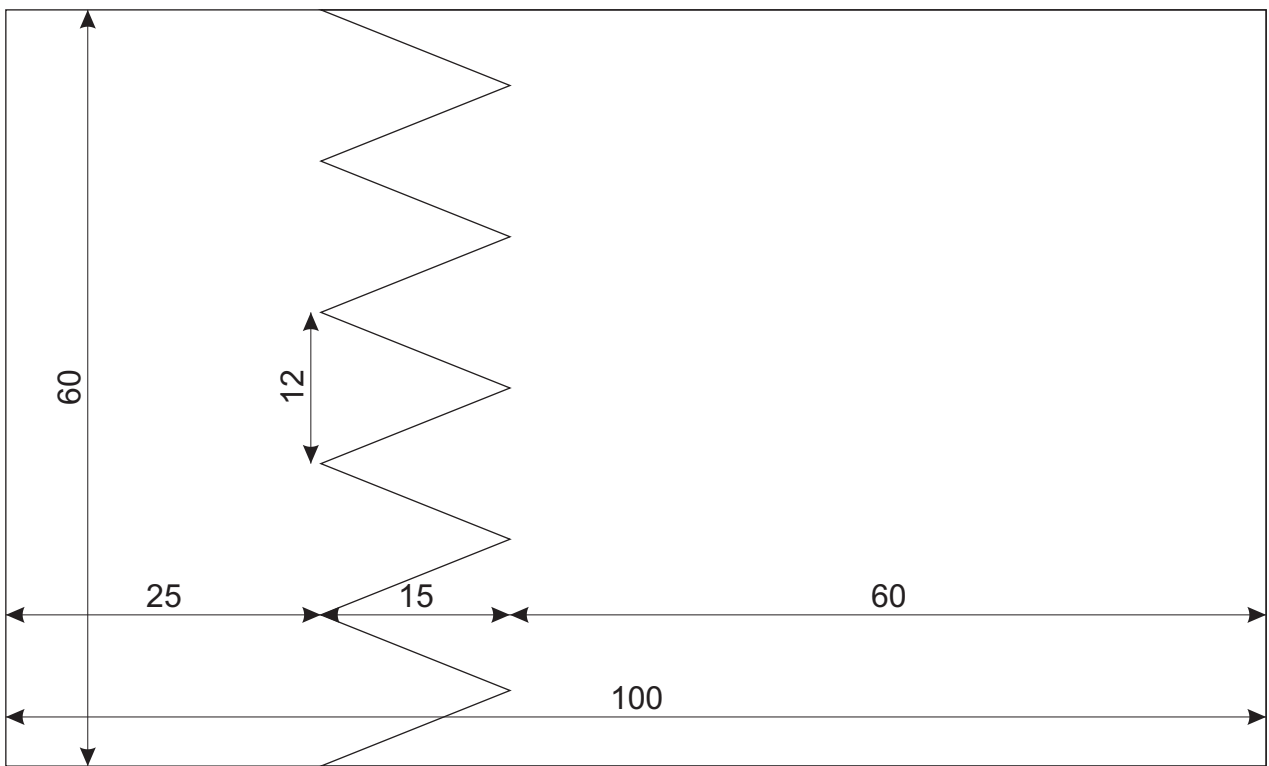
Adopted: 1973

Sources: * legislation do not determines the dimensions, all approximations

FOTW

Flags and Coat of Arms (Regulation) Act (An Act to regulate the use of the National Flag, the Governor-General's Flag, the Prime Minister's Flag and the Coat of Arms of The Bahamas and to provide for matters incidental to or connected therewith), 4 July 1973, Chapter 32, http://laws.bahamas.gov.bs/cms/images/LEGISLATION/PRINCIPAL/1973/1973-0020/FlagsandCoatofArmsRegulationAct_1.pdf

Flags and Coat of Arms Regulations, 1991, 1 November 1991, Chapter 32 - Section 7, http://laws.bahamas.gov.bs/cms/images/LEGISLATION/SUBORDINATE/1991/1991-0089/FlagsandCoatofArmsRegulations1991_1.pdf



Bahrain

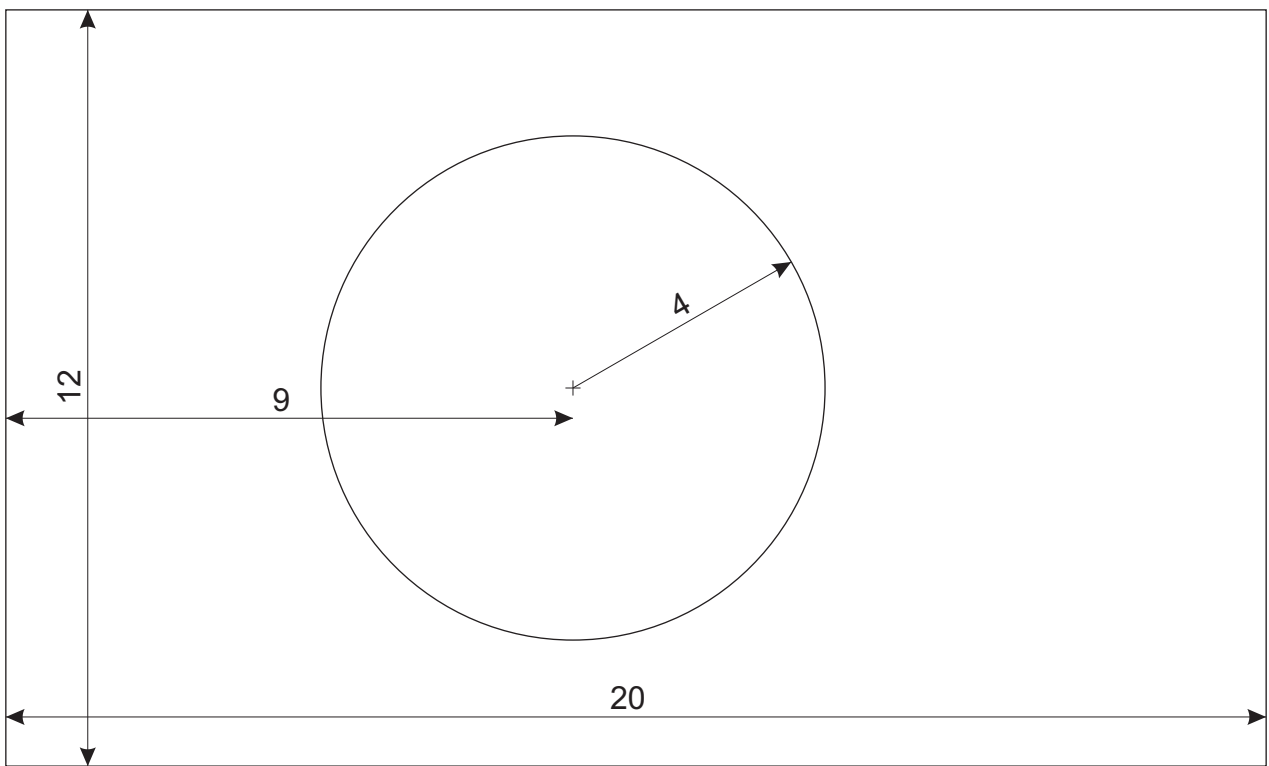
Adopted: 2002

Sources:

FOTW

Bahraini Ministry of Information website, 2002.

<http://www.moi.gov.bh/newspic/saturday/pictures.htm>



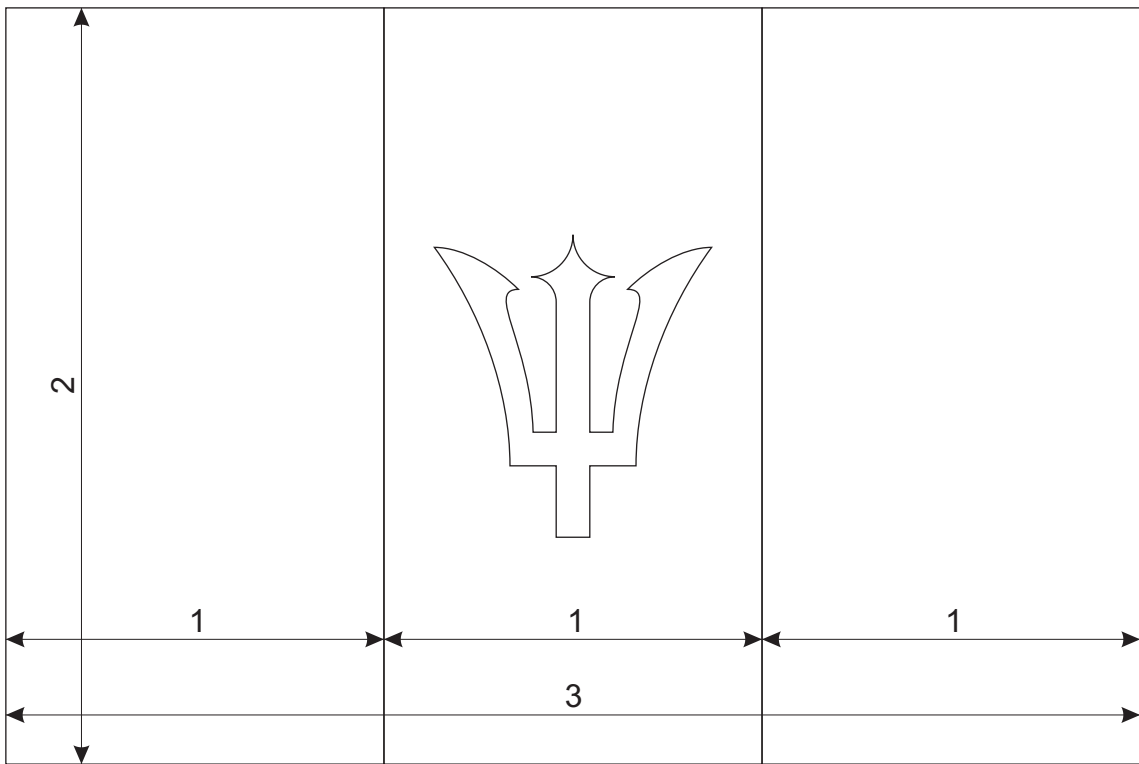
Bangladesh

Adopted: 1972

Sources:

FOTW

People's Republic of Bangladesh Flag Rules, 1972 (revised up to May, 1992)



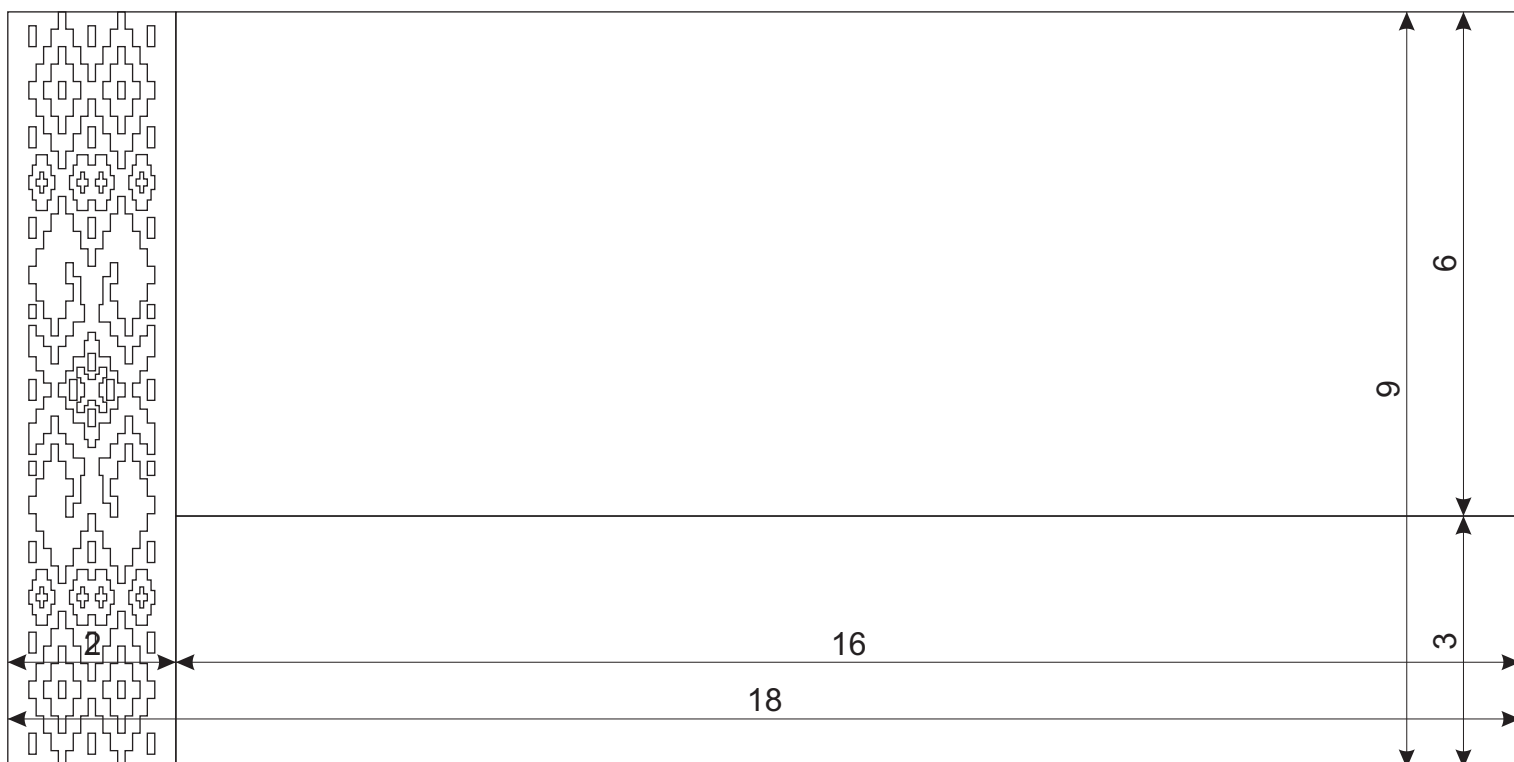
Barbados

Adopted: 1966

Sources:

FOTW

National Emblems and National Anthem of Barbados (Regulation) Act, Cap. 300A, 1976, WIPO



Belarus

Adopted: 1995

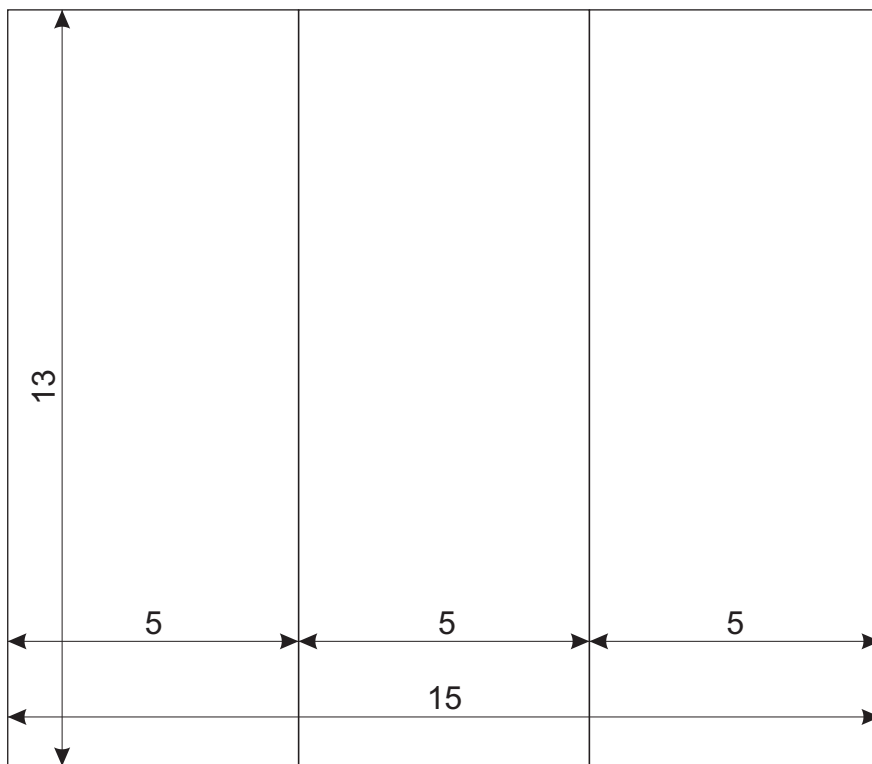
Sources: * ornament width 1.5; divided into 21×59 rectangles

FOTW

Законом РБ "О государственных символах Республики Беларусь" (№301-3),
5 июля 2004 года, http://www.vexillographia.ru/belarus/texts/2004_state.doc

СТБ 911-2008 "Государственный флаг Республики Беларусь. Общие
технические требования", State Committee for Standardization of the Republic
of Belarus. 2008.

http://www.vexillographia.ru/belarus/texts/2008_state.doc

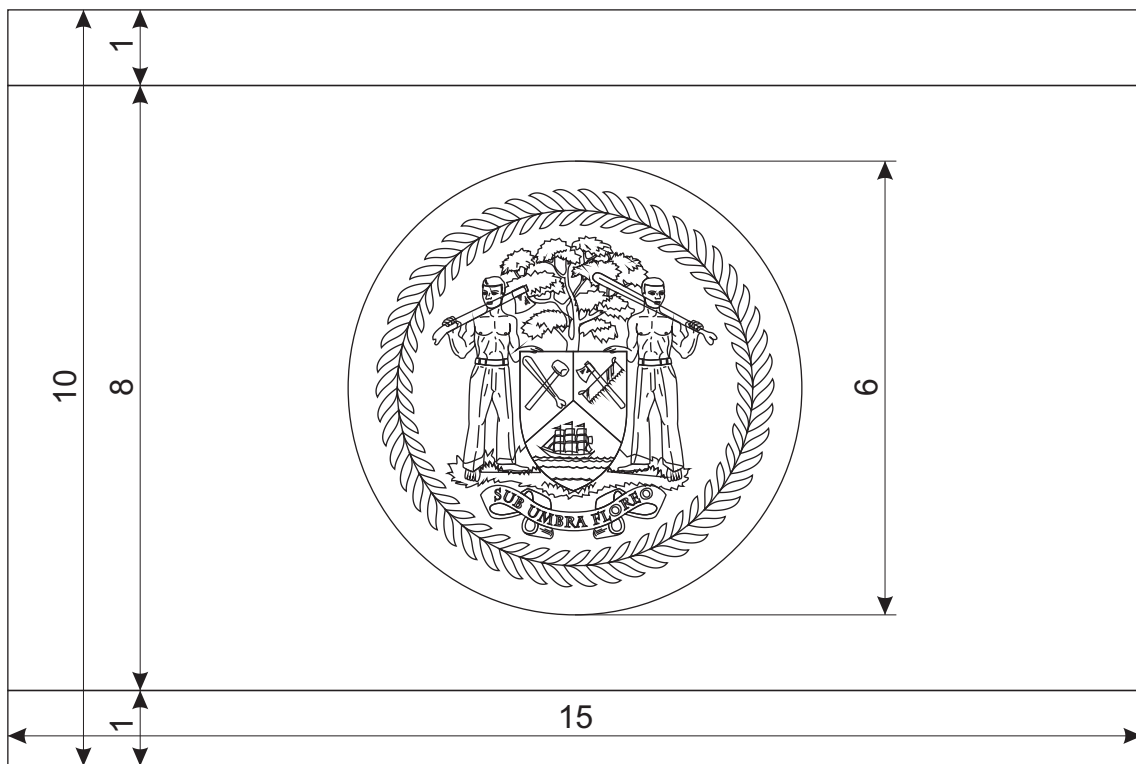


Belgium

Adopted: 1831

Sources:

FOTW

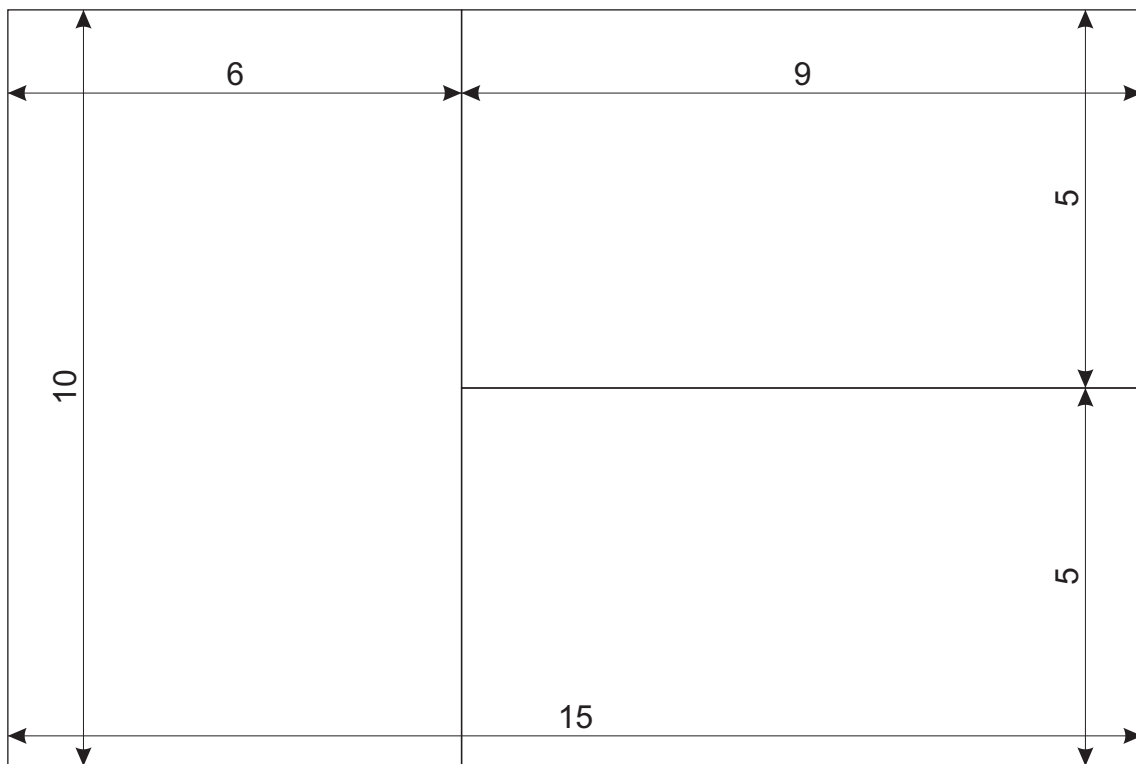


Belize

Adopted: 1981

Sources:

FOTW



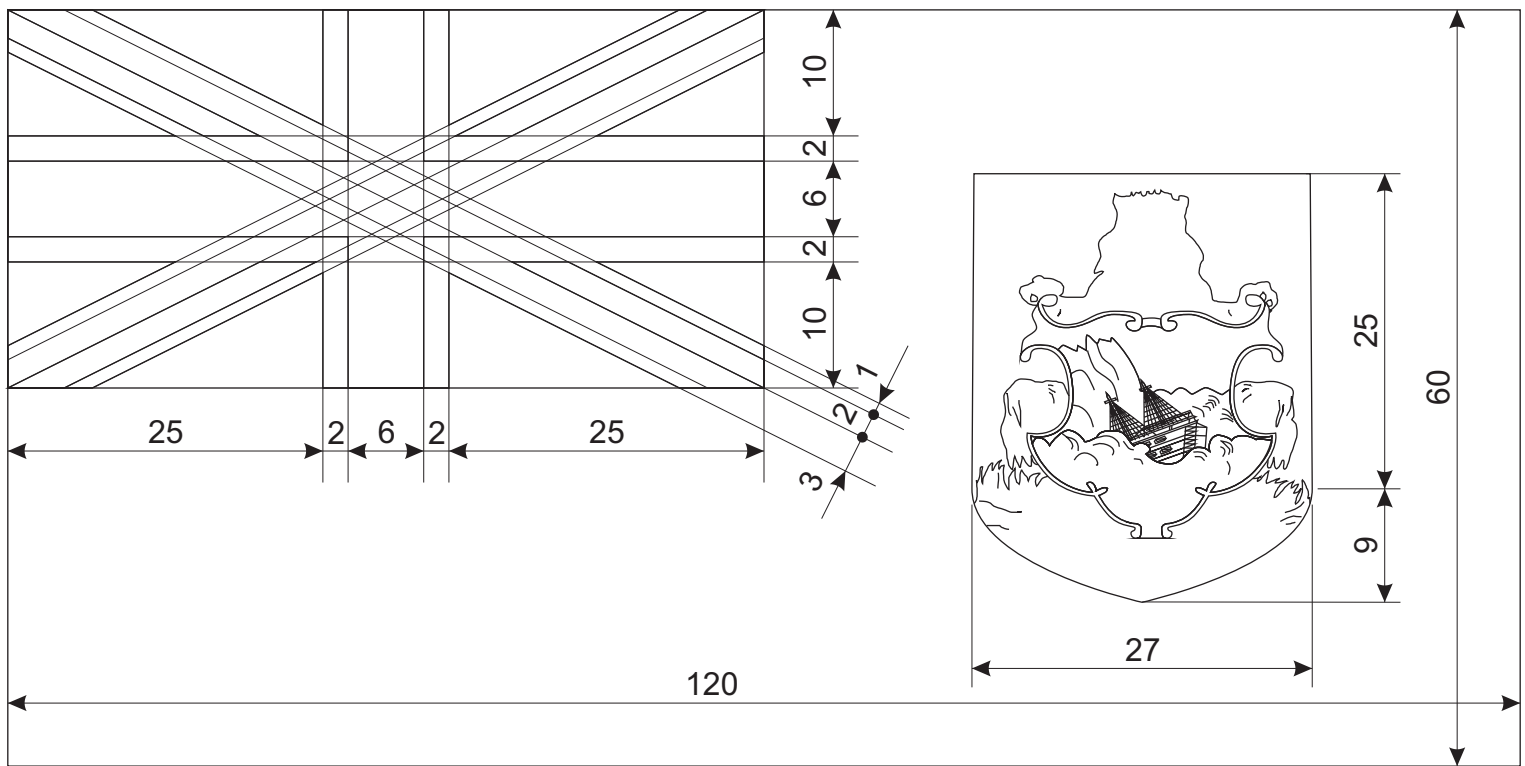
Benin

Adopted: 1990

Sources:

FOTW

The Constitution of the Republic of Benin, adopted by referendum on 2 December 1990, in force through law # 90-32 of 11 December 1990.

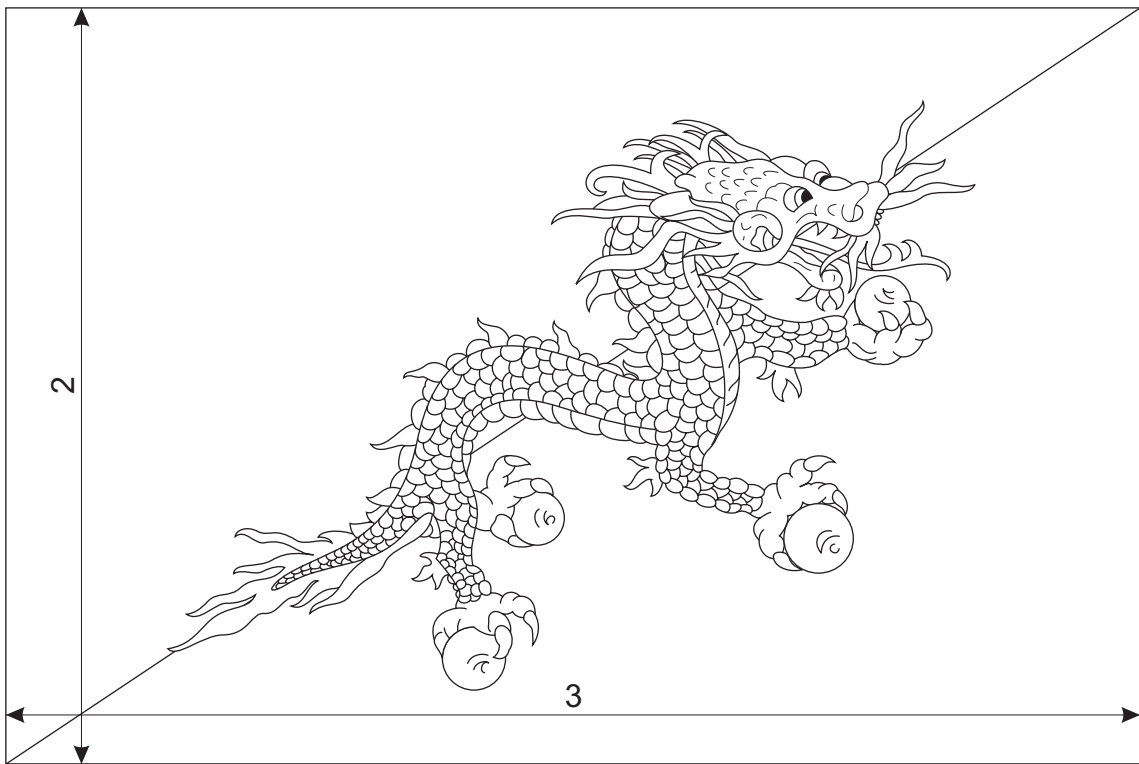


Bermuda

Adopted: 1999 (1910)

Sources:

FOTW, WFD, BR20

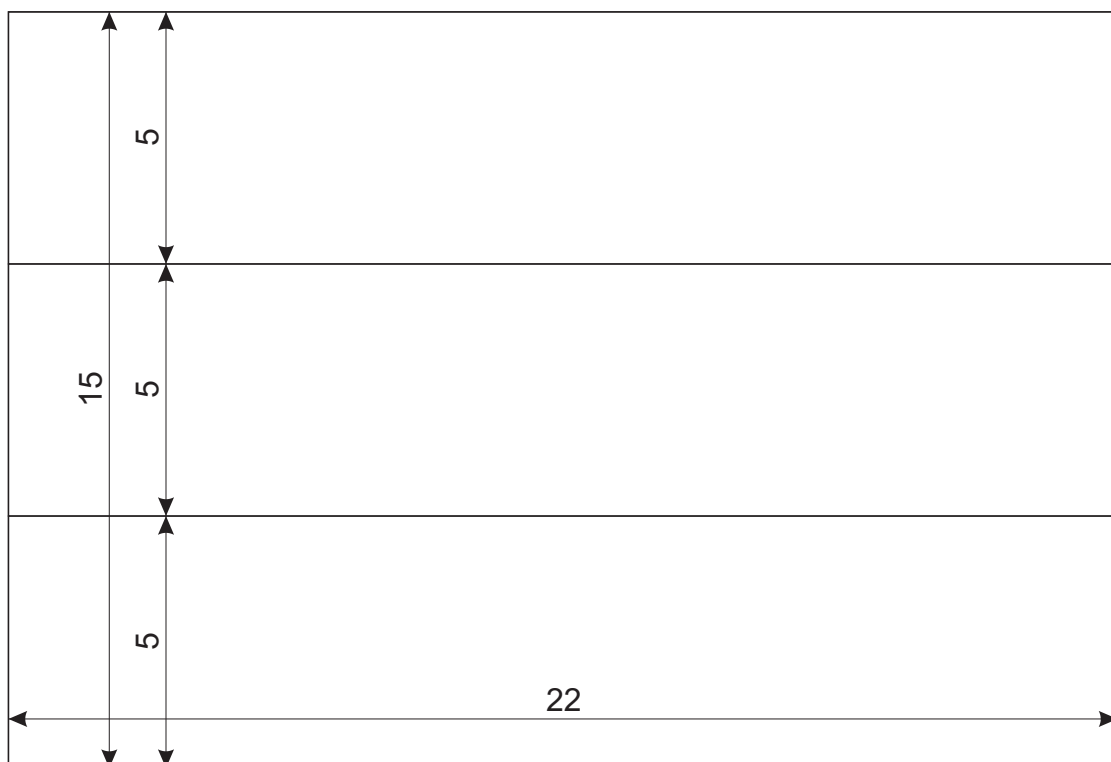


Bhutan

Adopted: 1969

Sources:

FOTW, Wikipedia



Bolivia

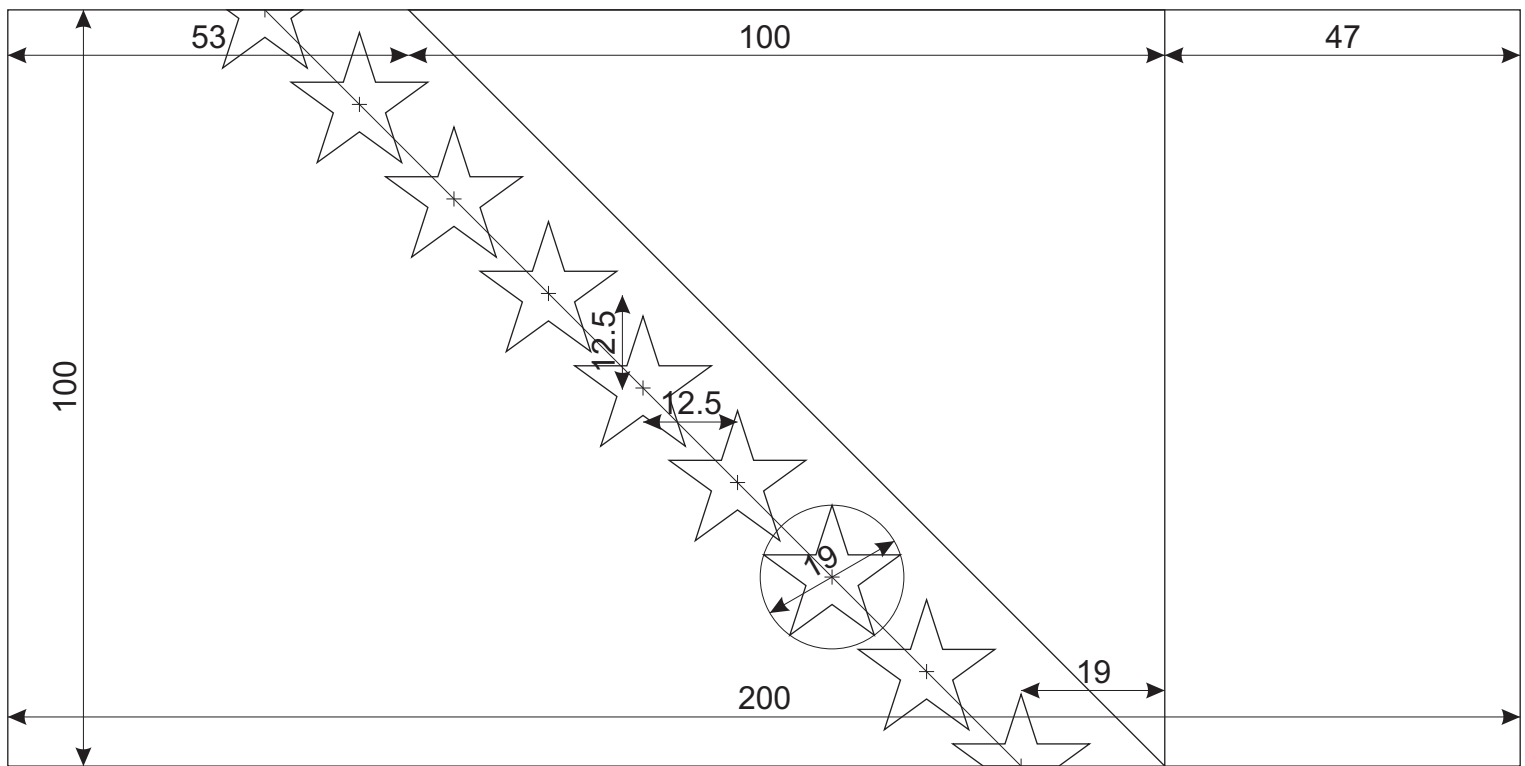
Adopted: 1851

Sources:

FOTW, Wikipedia

"Bandera Nacional" (extract from the flag law),

<http://www.mindef.gob.bo/mindef/node/165>



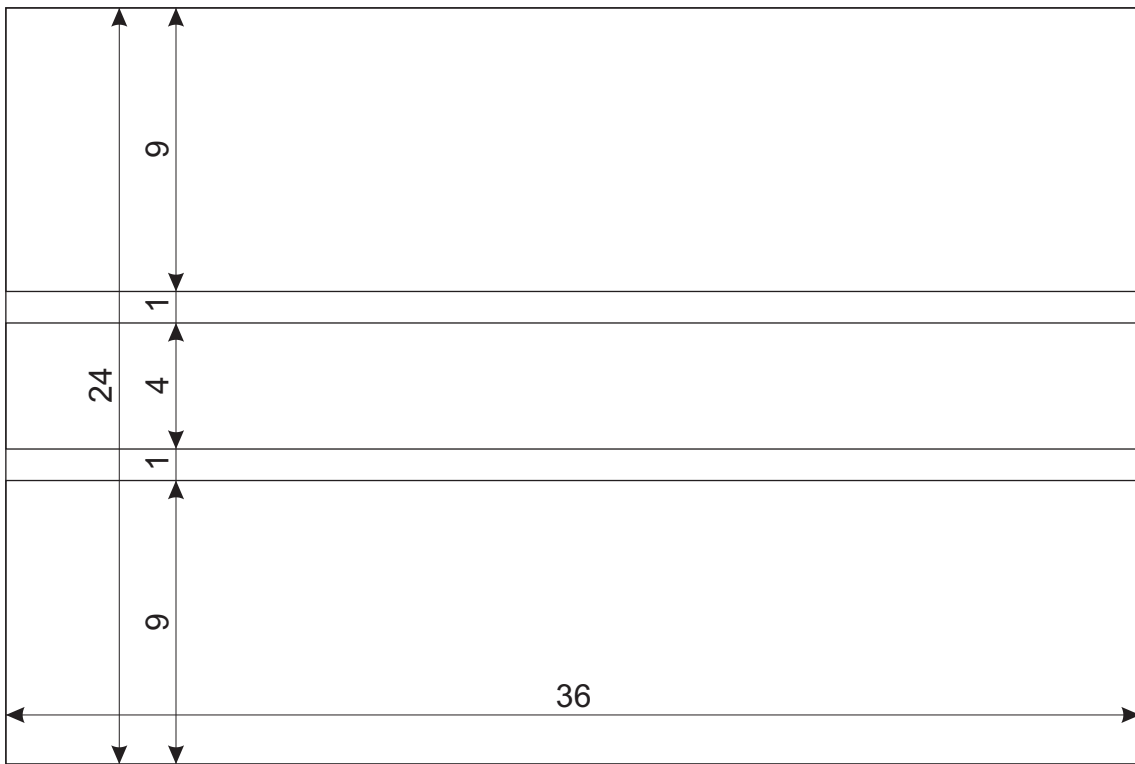
Bosnia and Herzegovina

Adopted: 1998

Sources:

FOTW, FAME

Law on the Flag of Bosnia and Herzegovina, Office of the High Representative,
4. Feb 1998



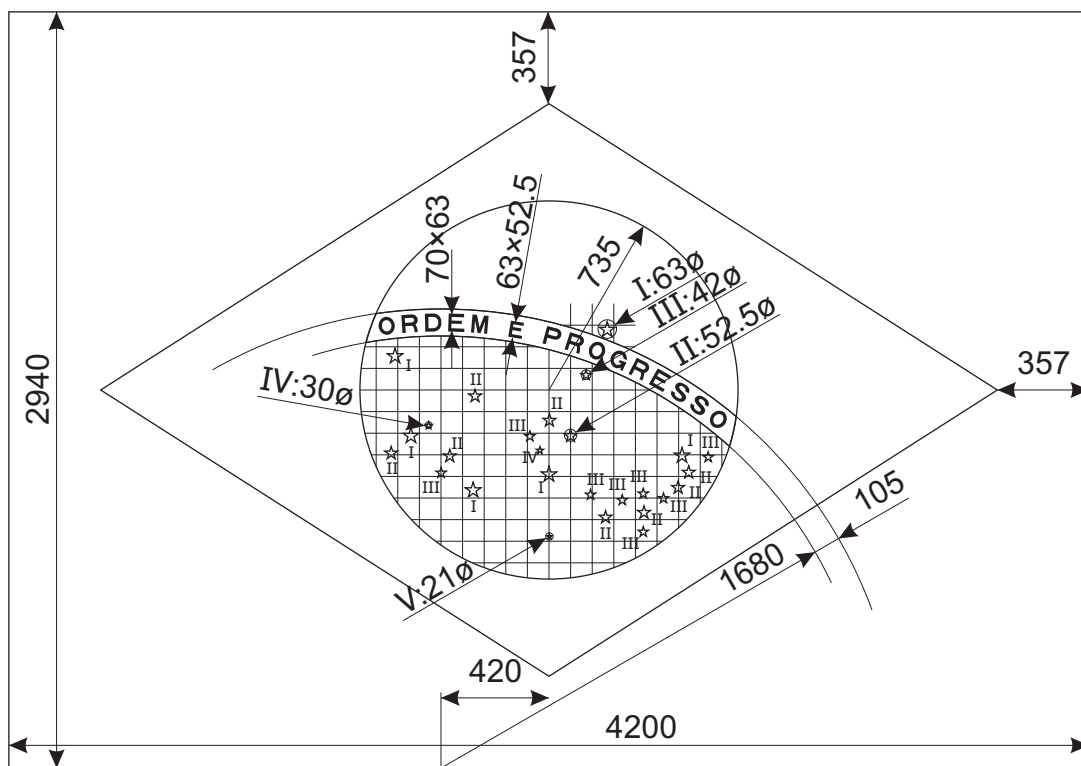
Botswana

Adopted: 1966

Sources:

FOTW

Legislation on Botswana emblems, Act 25, 1966



Brazil

Adopted: 1992

Sources:

FOTW

Decreto n°4, de 19/11/1889

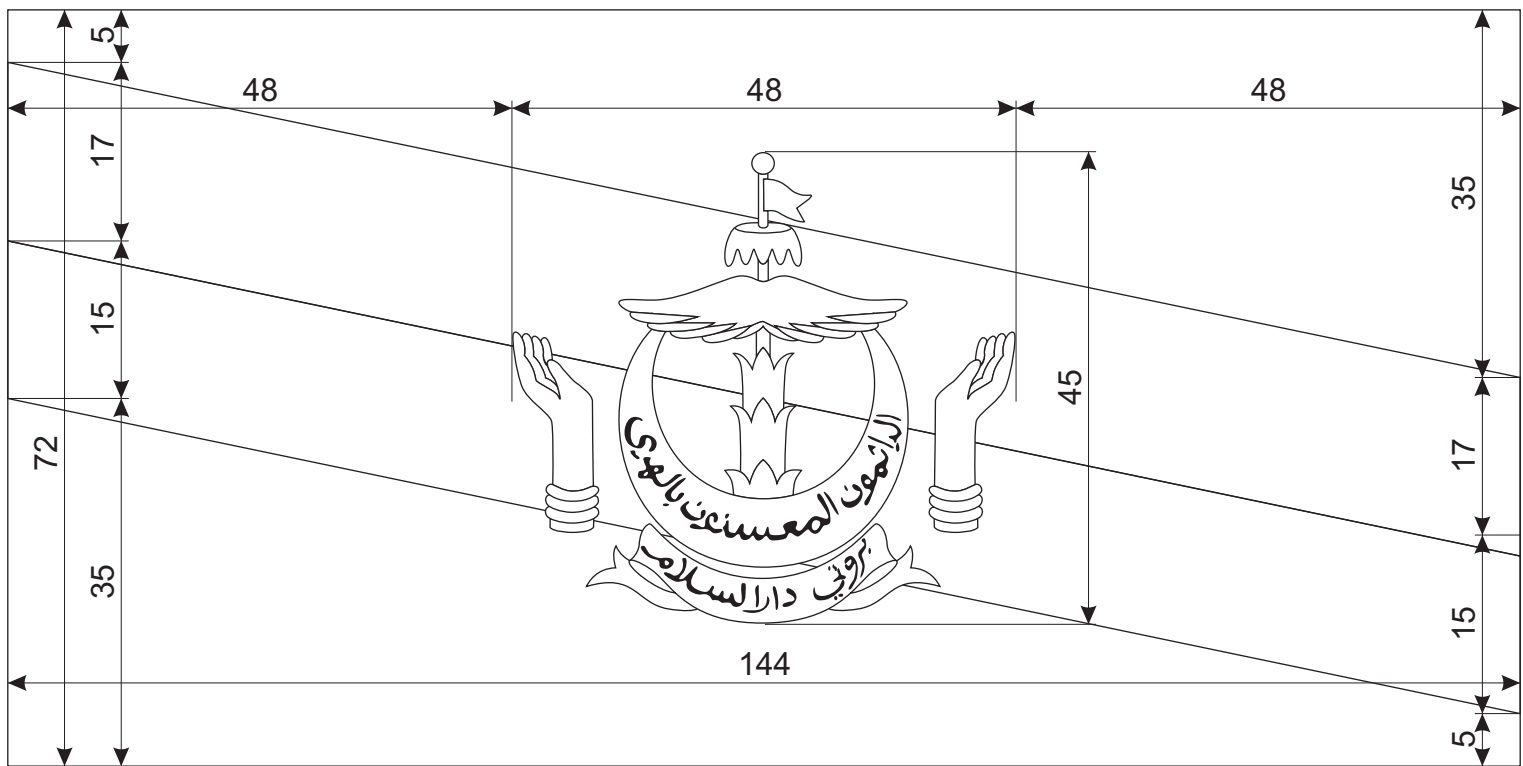
Decreto-lei n°4545, de 31/07/1942

Lei n°5389, de 22/02/1968

Lei n°5443, de 28/05/1968

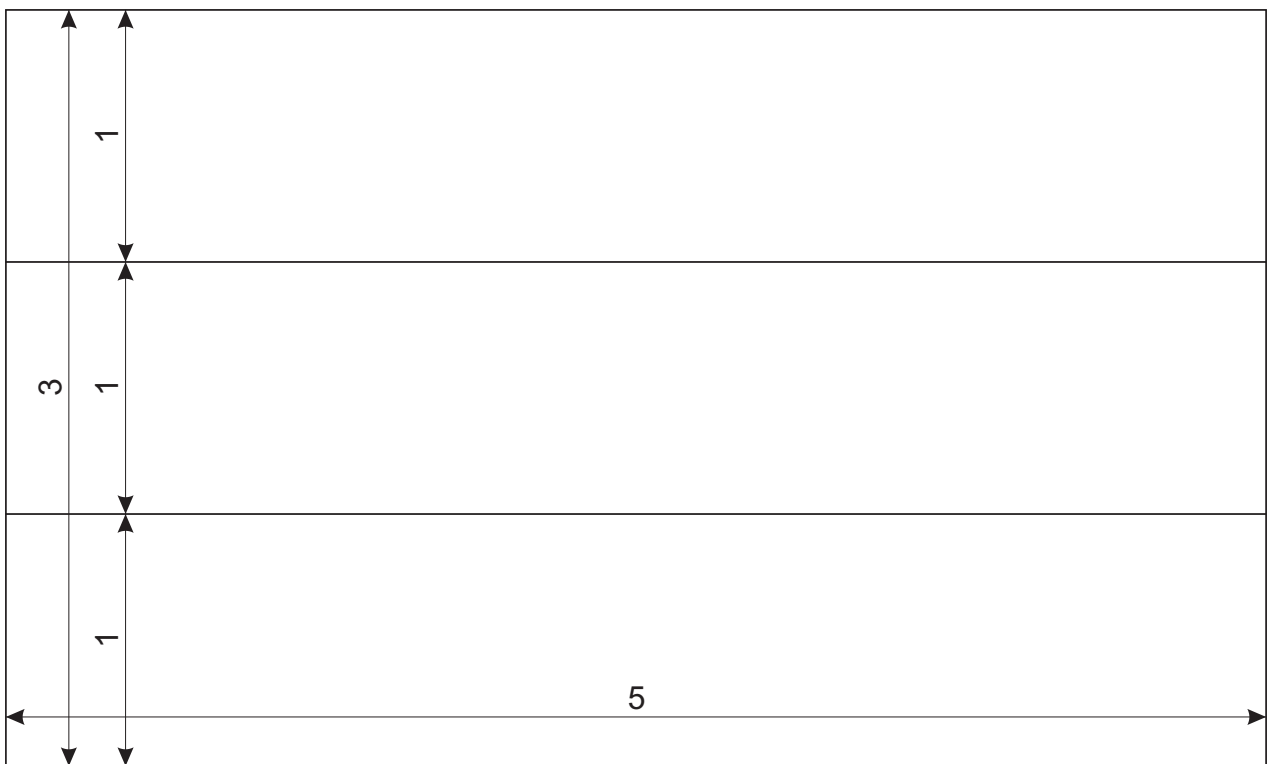
Lei n°5700, de 1/09/1971

Lei n°8421, de 11/05/1992



Brunei

Adopted: 1959
Sources:
FOTW

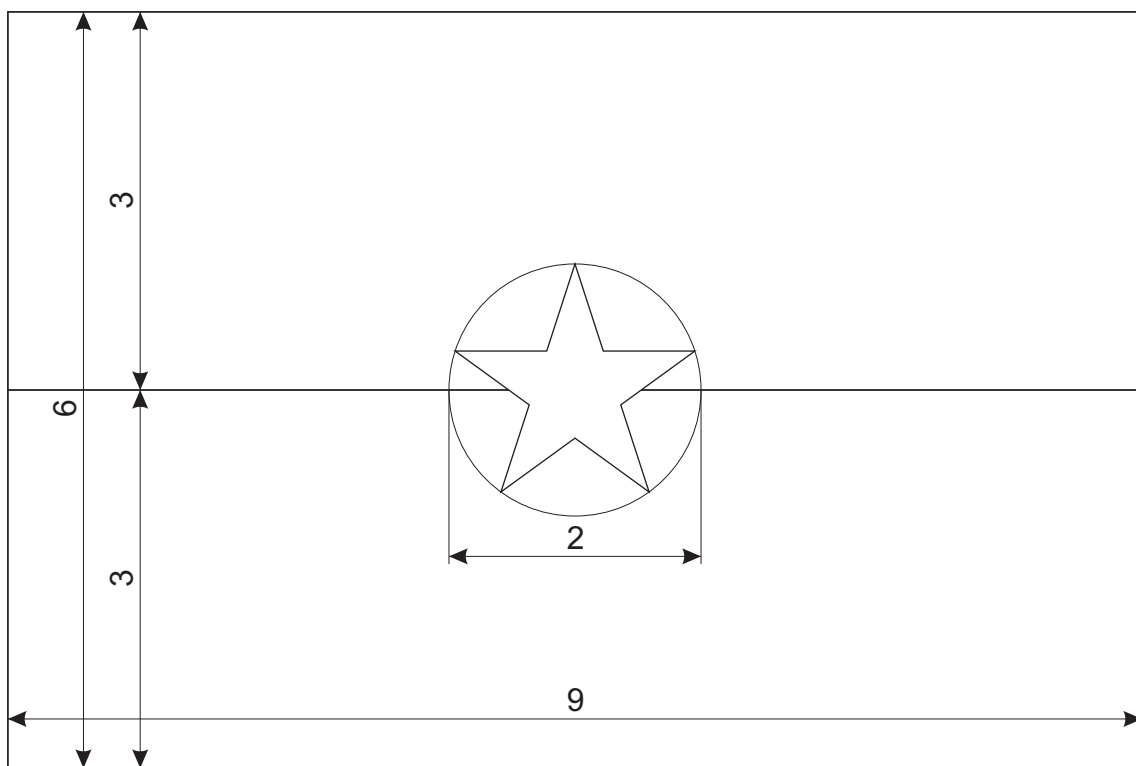


Bulgaria

Adopted: 1991

Sources:

Law for the State Seal and National Flag of the Republic of Bulgaria, Prom. SG. 47/24.04.1998, amend. SG. 33/9.04.1999, amend. SG. 69/3.08.1999



Burkina Faso

Adopted: 1991

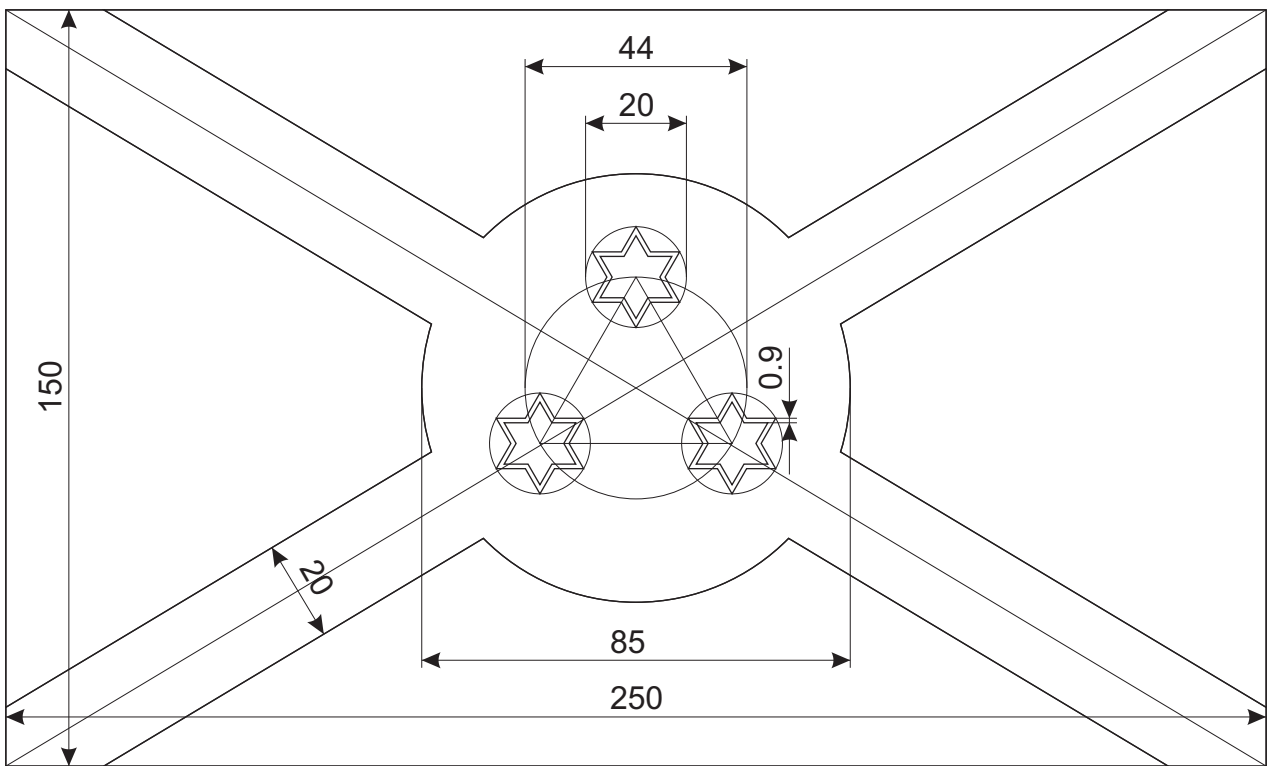
Sources:

FOTW

Article 5 of Ordinance No. 84-043-CNR, 4 August 1984.

Article 34 of the Constitution, 11 June 1991.

Presidential Decree No. 97-457/PRES/GC, 30 October 1997, Journal Officiel du Faso No. 45 of 1997.



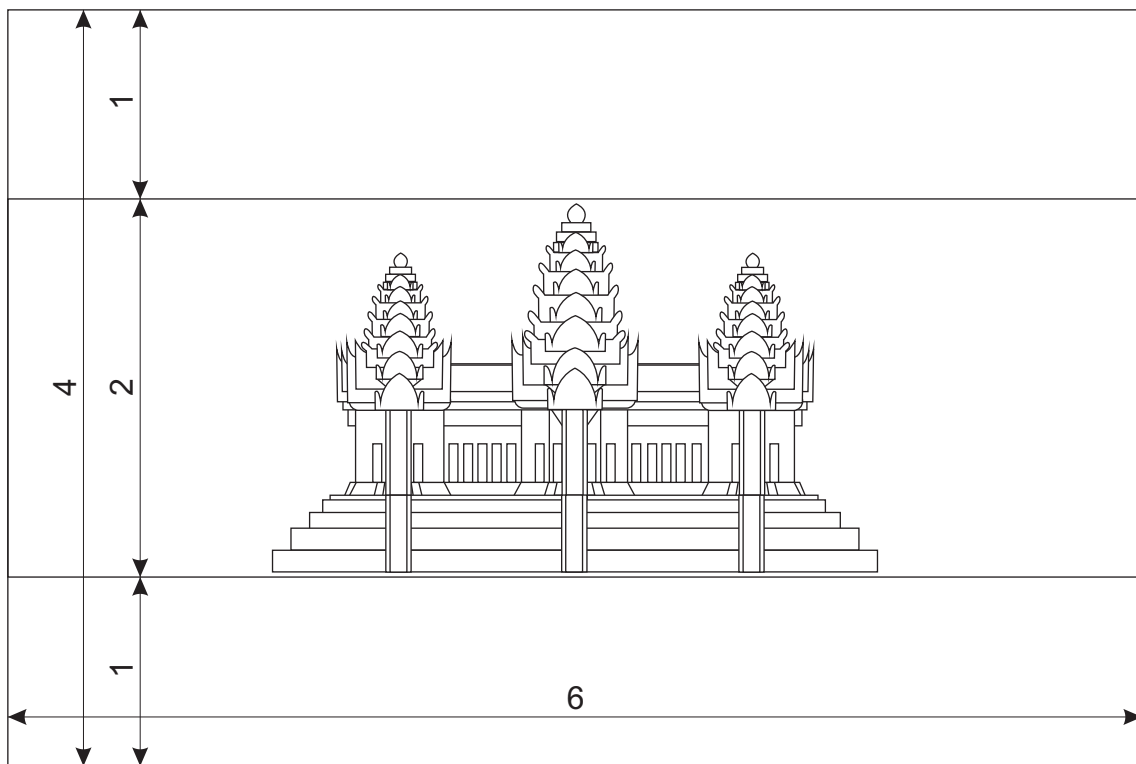
Burundi

Adopted: 1983

Sources:

FOTW

Decret-loi No.1/31, 27 September 1982



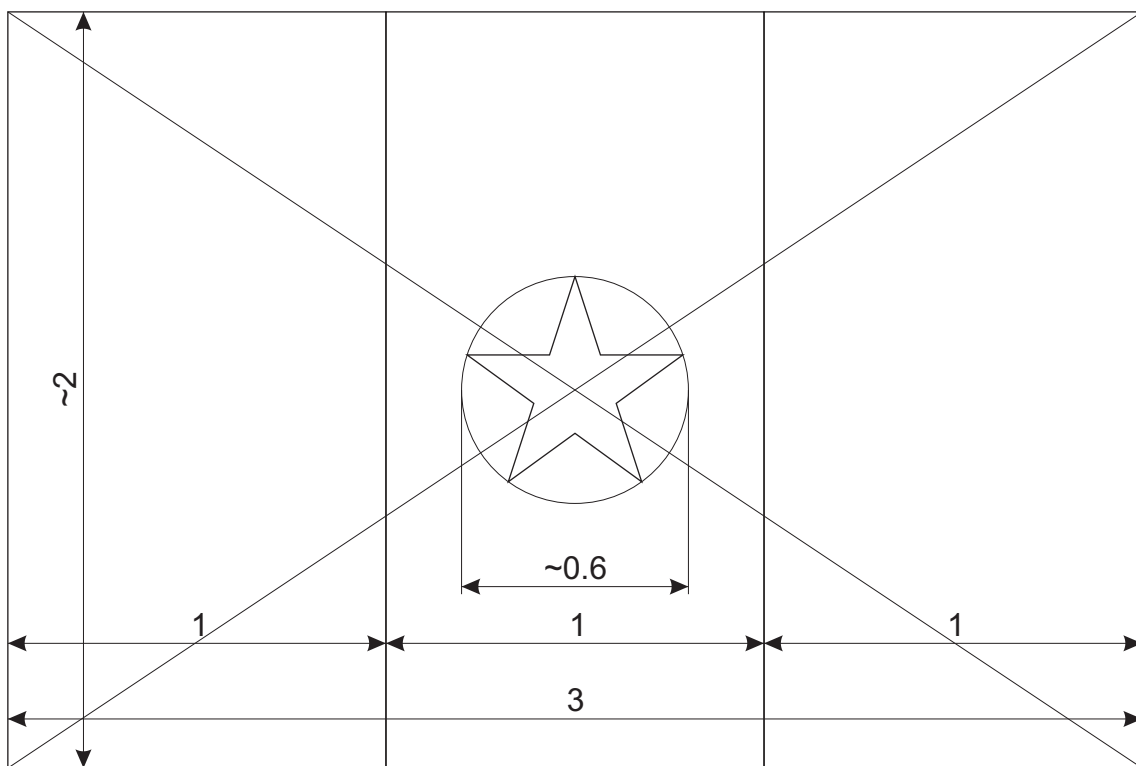
Cambodia

Adopted: 1993

Sources:

FOTW, Wikipedia

Article 6, The Constitution of the Kingdom of Cambodia, September 21, 1993, Unofficial Translation, Version supervised by the Constitutional Council, March 2010. <http://www.ccc.gov.kh/english/CONSTITUTIONEng.pdf>



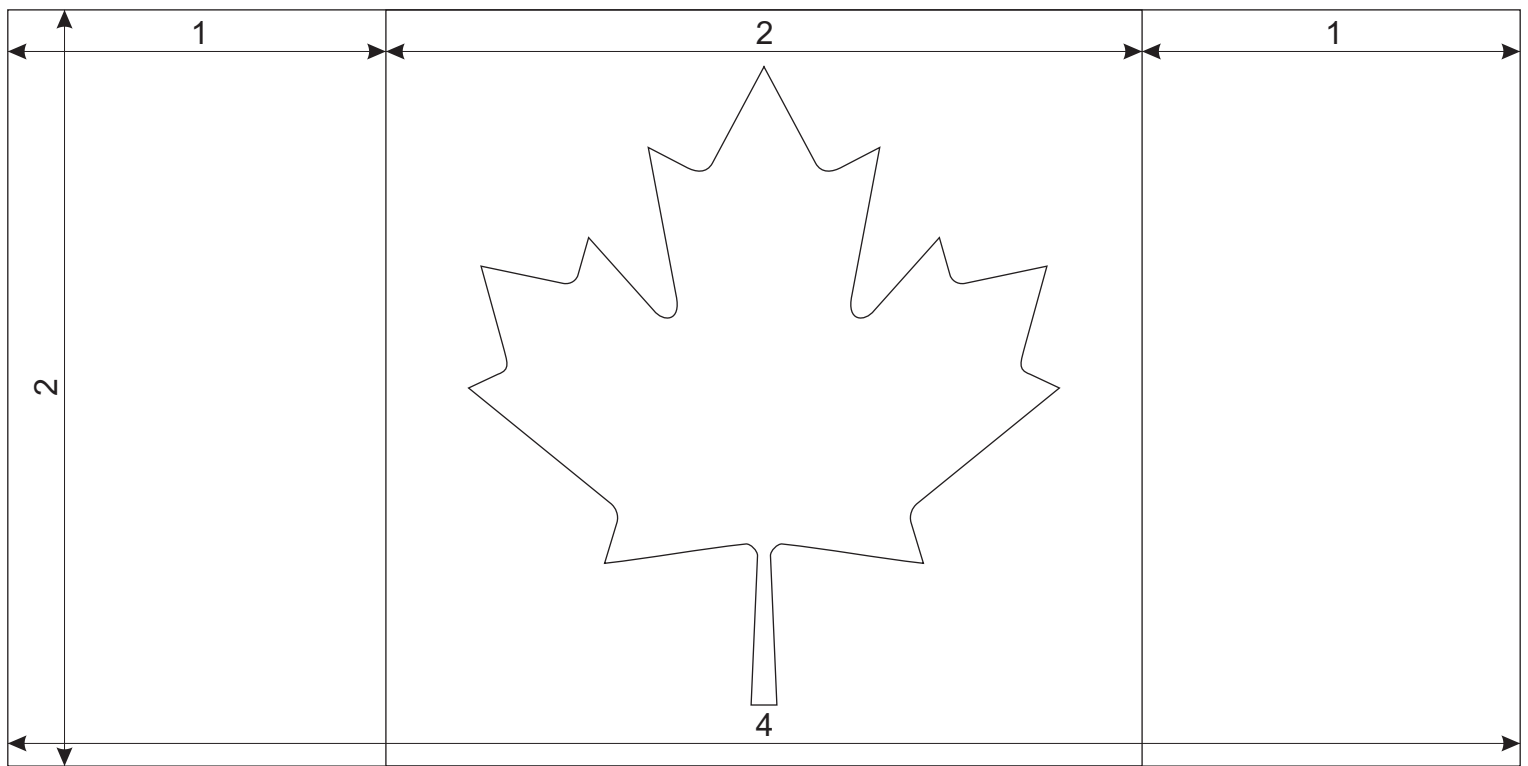
Cameroon

Adopted: 1975

Sources:

FOTW

The Constitution of the Republic of Cameroon, 02 June 1972, amended Law #96/06, 18 January 1996.



Canada

Adopted: 1965

Sources:

FOTW

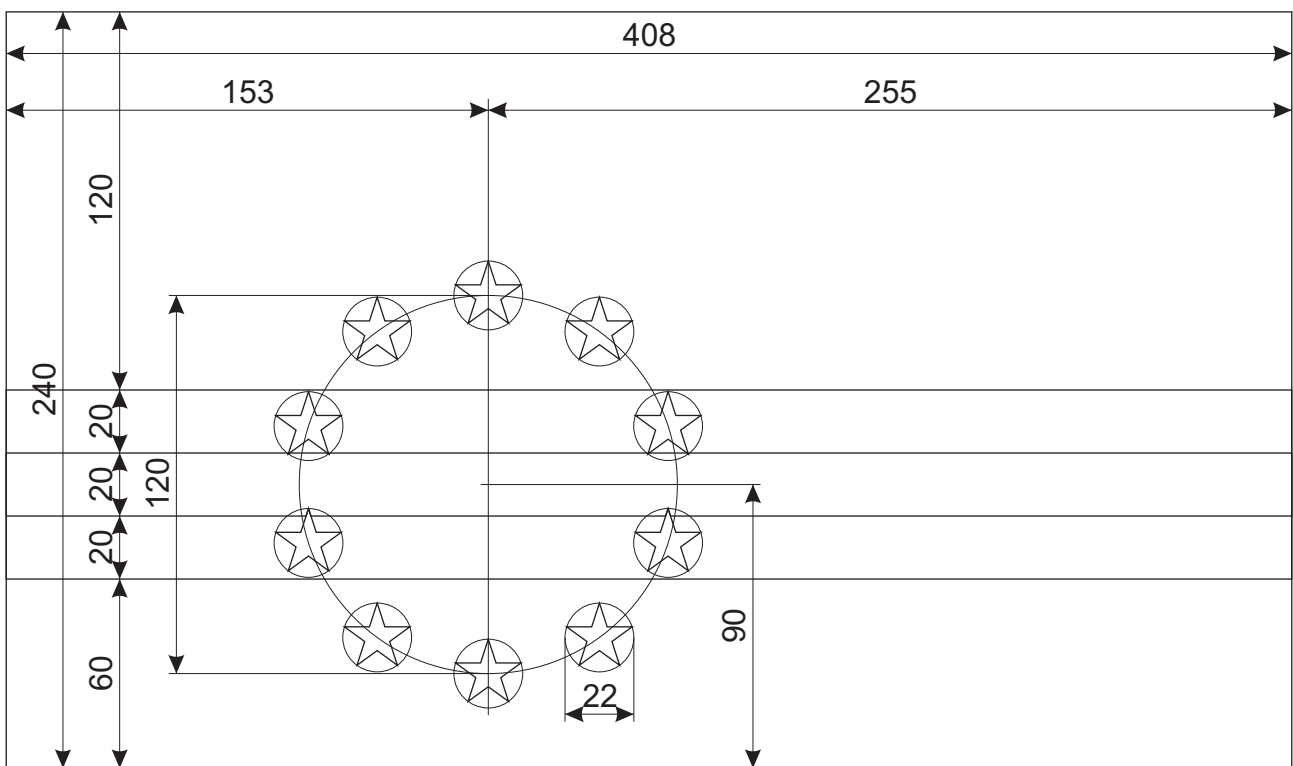
Proportions and Description of the flag, Canadian Heritage,

<http://www.pch.gc.ca/pgm/ceem-cced/symb/df2-eng.cfm>

(CAN/CGSB 98.2-2011 National Flag of Canada (for Indoor Use)

CAN/CGSB 98.1-2011 National Flag of Canada (Outdoor Use)

CAN/CGSB 98.3-M91 National Flag of Canada (One-Event-Only Use) includes
Corrigendum)



Cape Verde

Adopted: 1992

Sources:

FOTW

Article 8, The Constitution of the Republic of Cabo Verde, 1992

Artigo 8º (Símbolos nacionais), Constituição da República de Cabo Verde, 2ª Revisão Ordinária - 2010, Boletim Oficial - Suplemento, I Série - Número 17 de 3 de Maio de 2010 (Rectificado pelo BO nº 28 de 26 de Julho de 2010, I Serie),

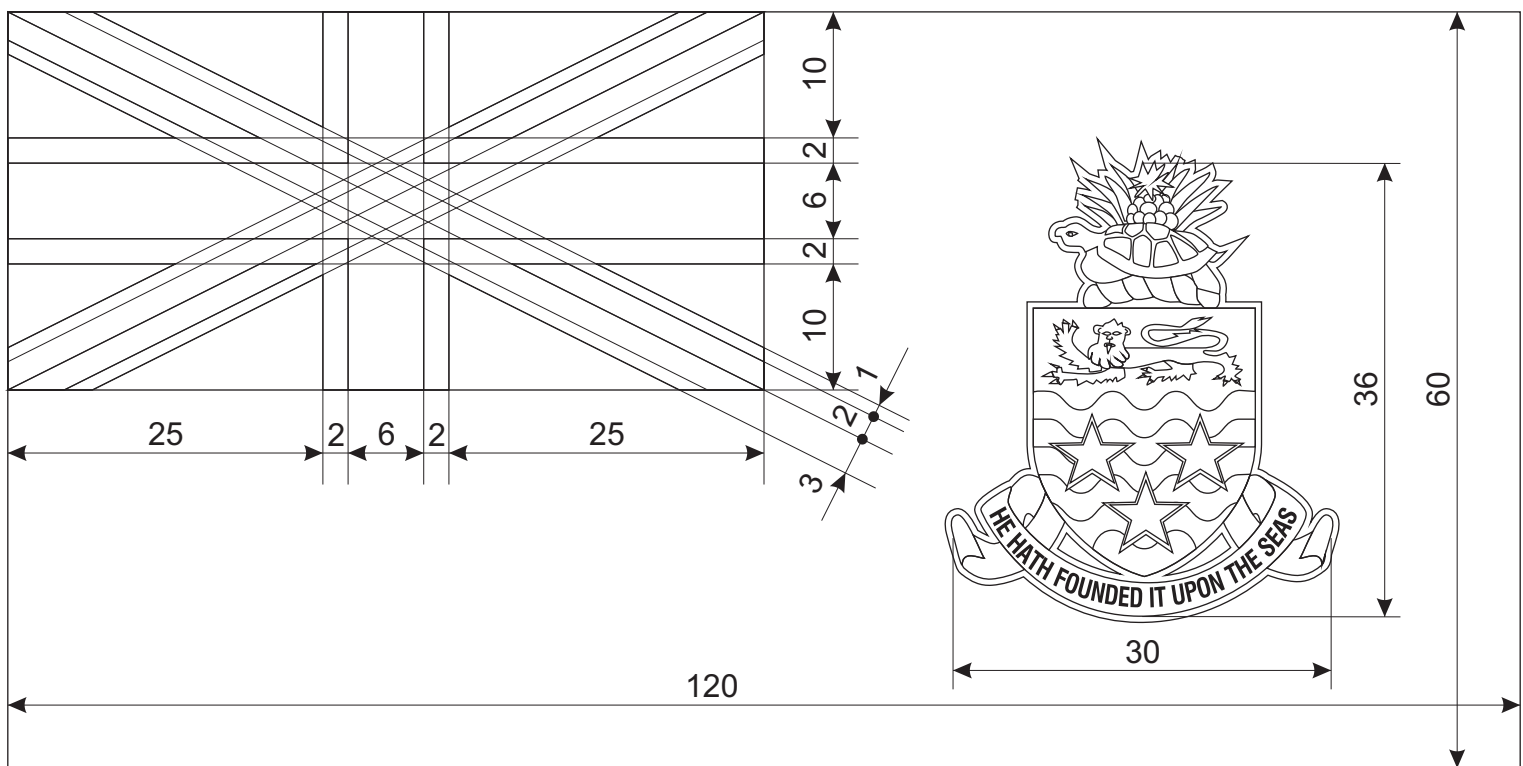
<http://www.parlamento.cv/GDLeisRepublica.aspx?IdDoc=1>

Bandeira, Governo,

http://www.governo.cv/index.php?option=com_content&view=article&id=57&Itemid=67&lang=pt

William Crampton

* the flag ratio varies in sources

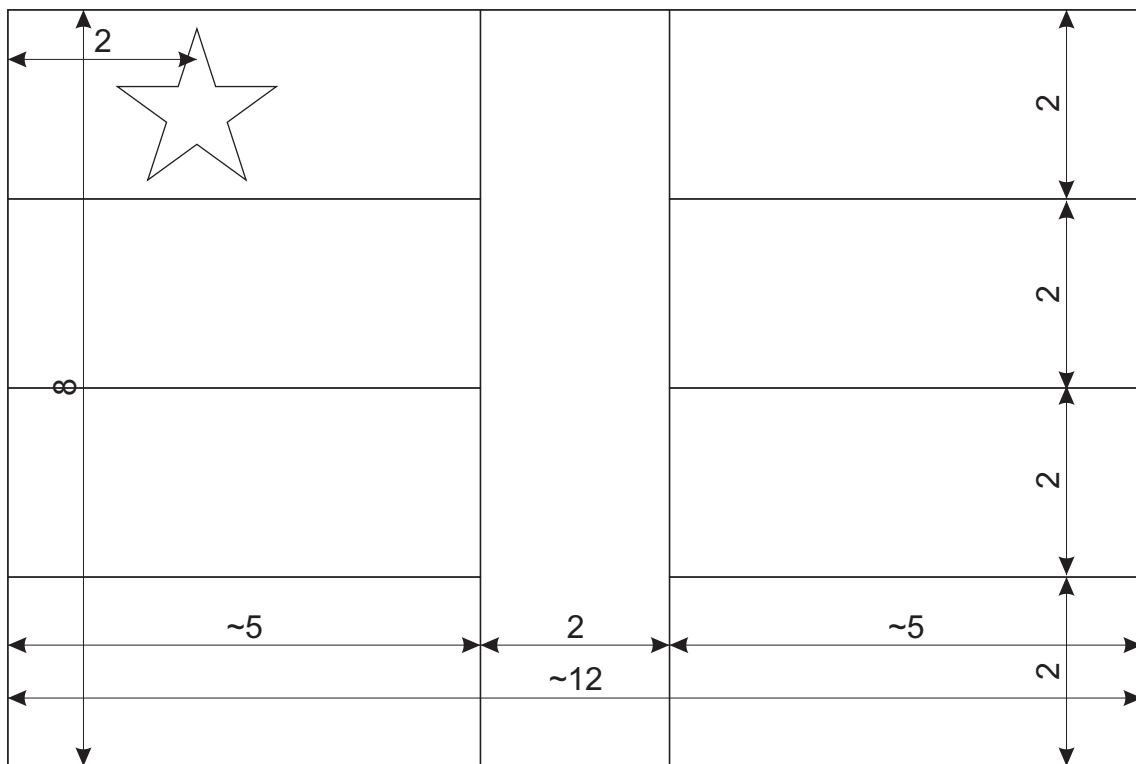


Cayman Islands

Adopted: 1999 (1958)

Sources:

FOTW, WFD, BR20



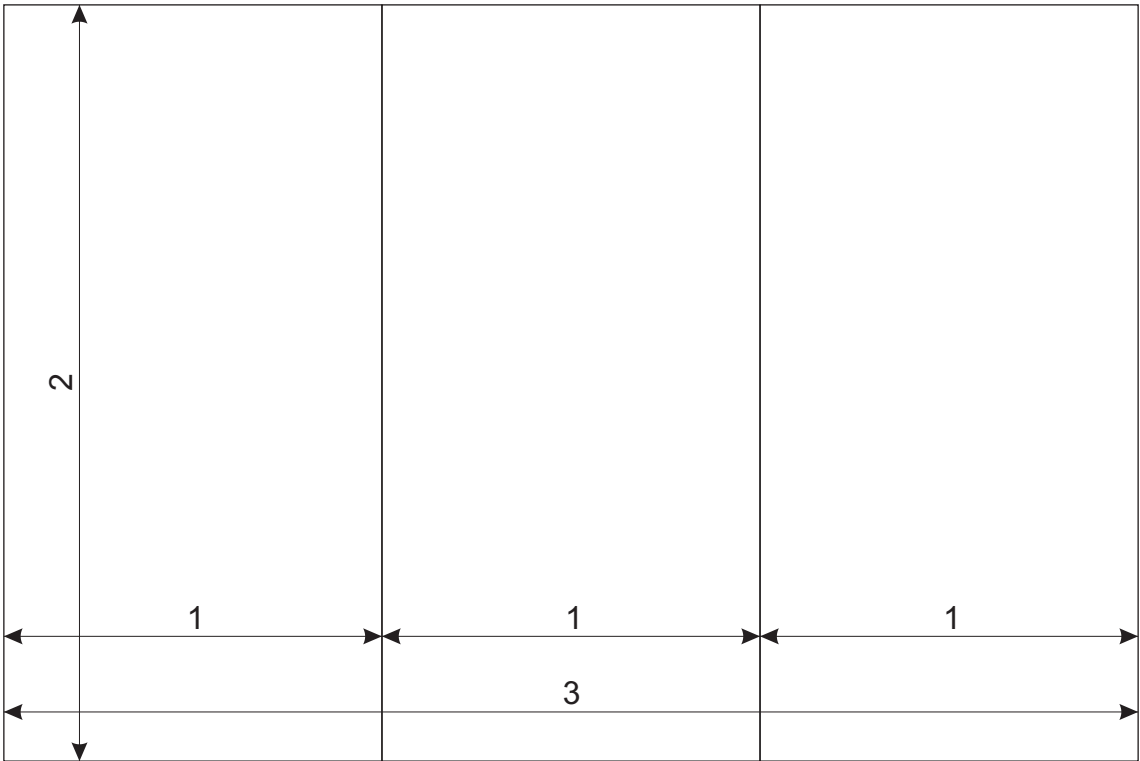
Central African Republic

Adopted: 1958

Sources:

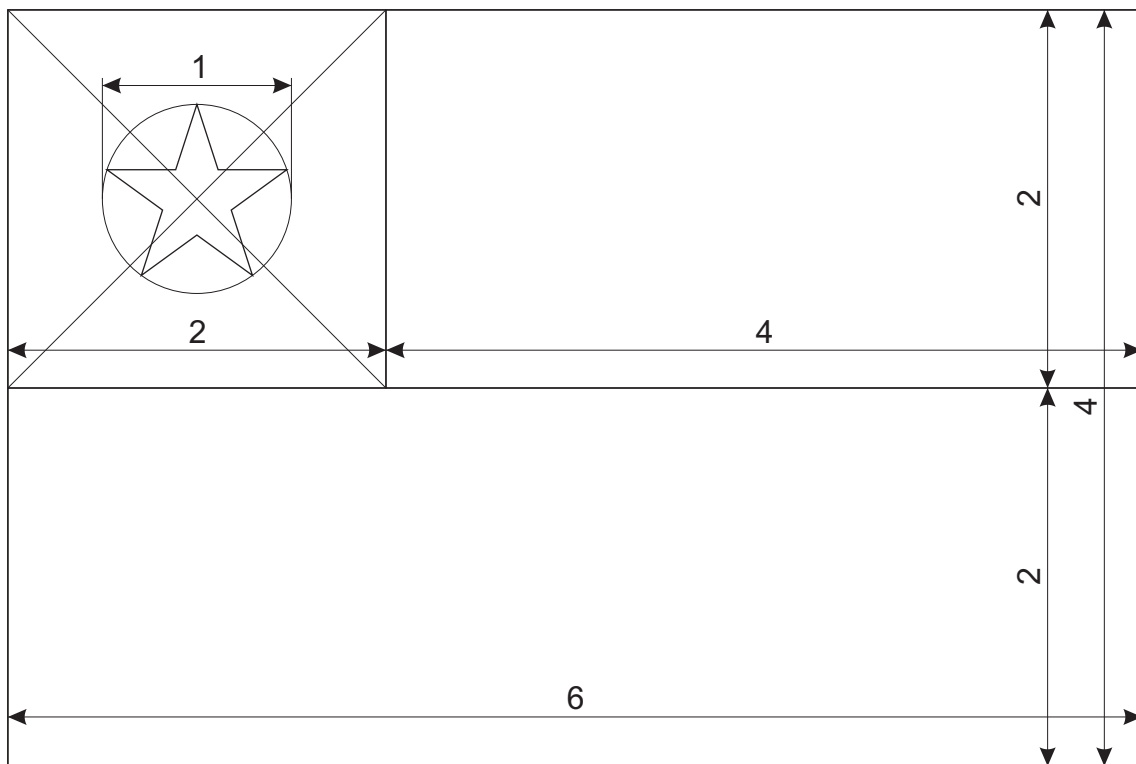
FOTW, Album des Pavillions, WFD, BR20

* overall proportions vary in sources



Chad

Adopted: 1959
Sources:
FOTW
Law # 59/13, 11 June 1959



Chile

Adopted: 1817

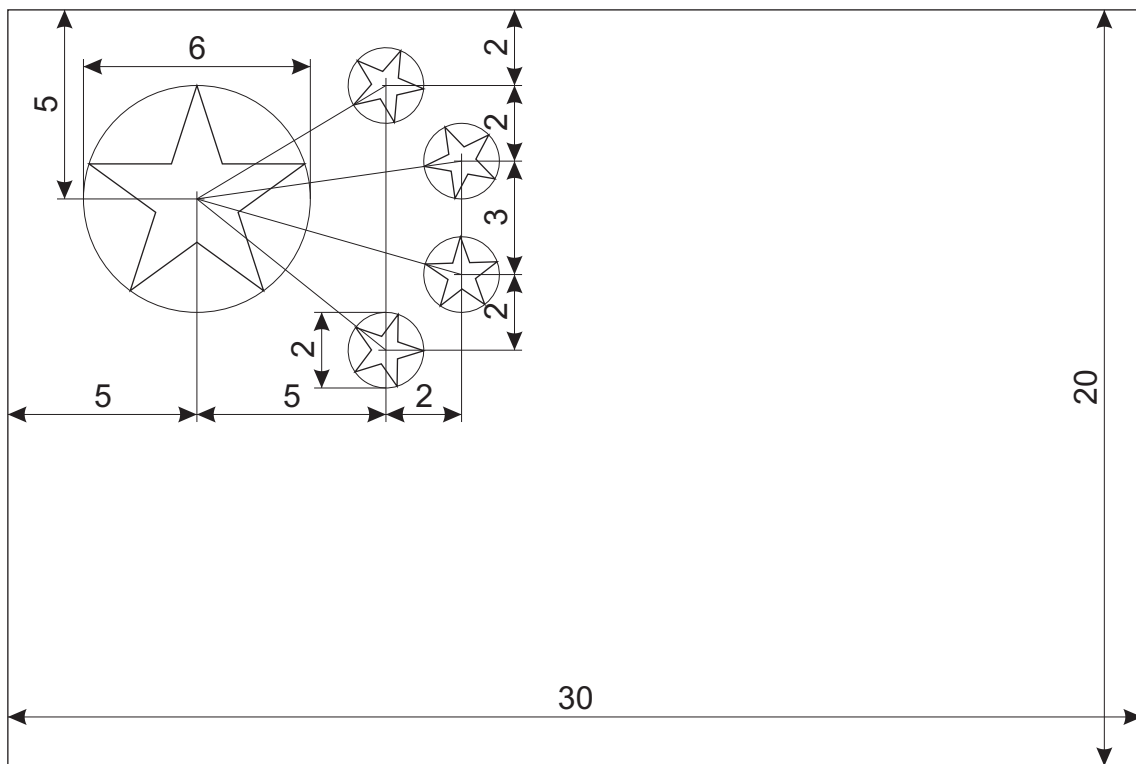
Sources:

FOTW

legislation 4 July 1854

Law No. 2597, 11 January 1912

Law of 18 October 1967



China, PR

Adopted: 1949

Sources:

FOTW

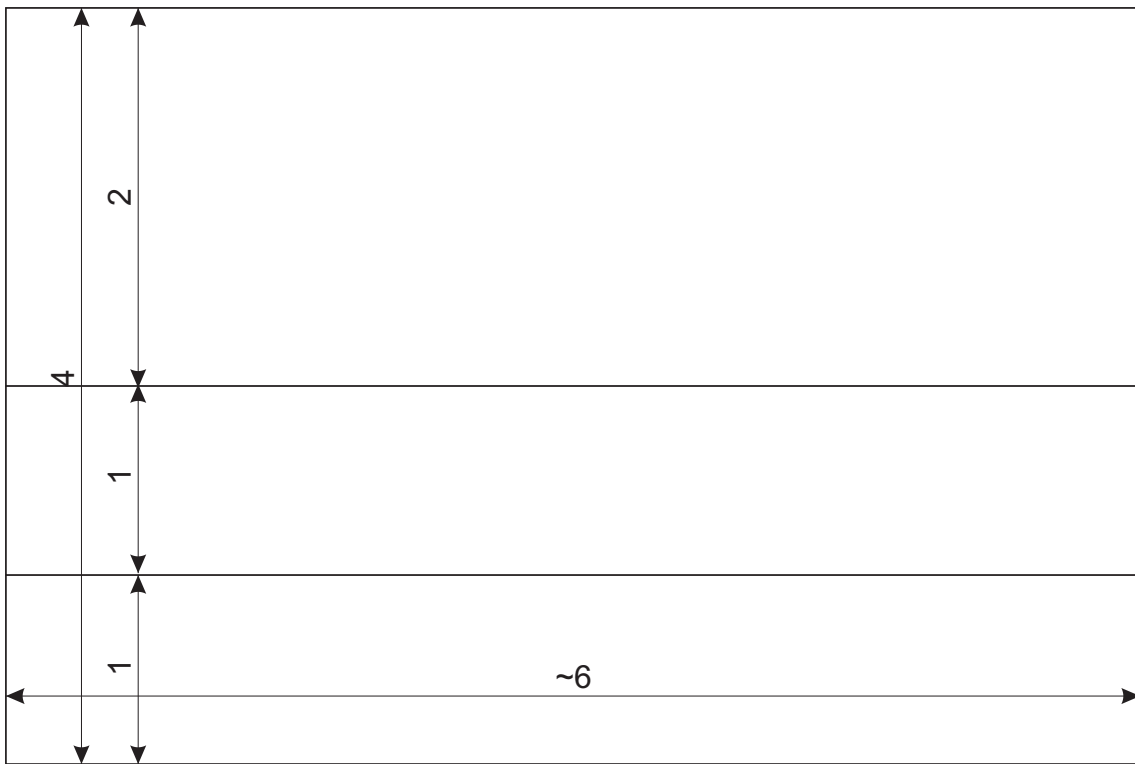
Law of the People's Republic of China on the National Flag, (Adopted at the 14th Meeting of the Standing Committee of the Seventh National People's Congress on June 28, 1990, promulgated by Order No. 28 of the President of the People's Republic of China on June 28, 1990, and effective as of October 1, 1990) and Appendix: Directions for the Making of the National Flag (Promulgated by the Presidium of the First Plenary Session of the Chinese People's Political Consultative Conference on September 28, 1949),

<http://www.zjswb.gov.cn/zjswbcms/view/en/news.jsp?unid=74DA037561CEAB31AF98BE644285D160>

Standards:

GB 12982-2004 National flag (replacinf GB 12982-1996)

GB 12983-2004 Standard color sample of national flag (replacing GB 12983-1991)



Colombia

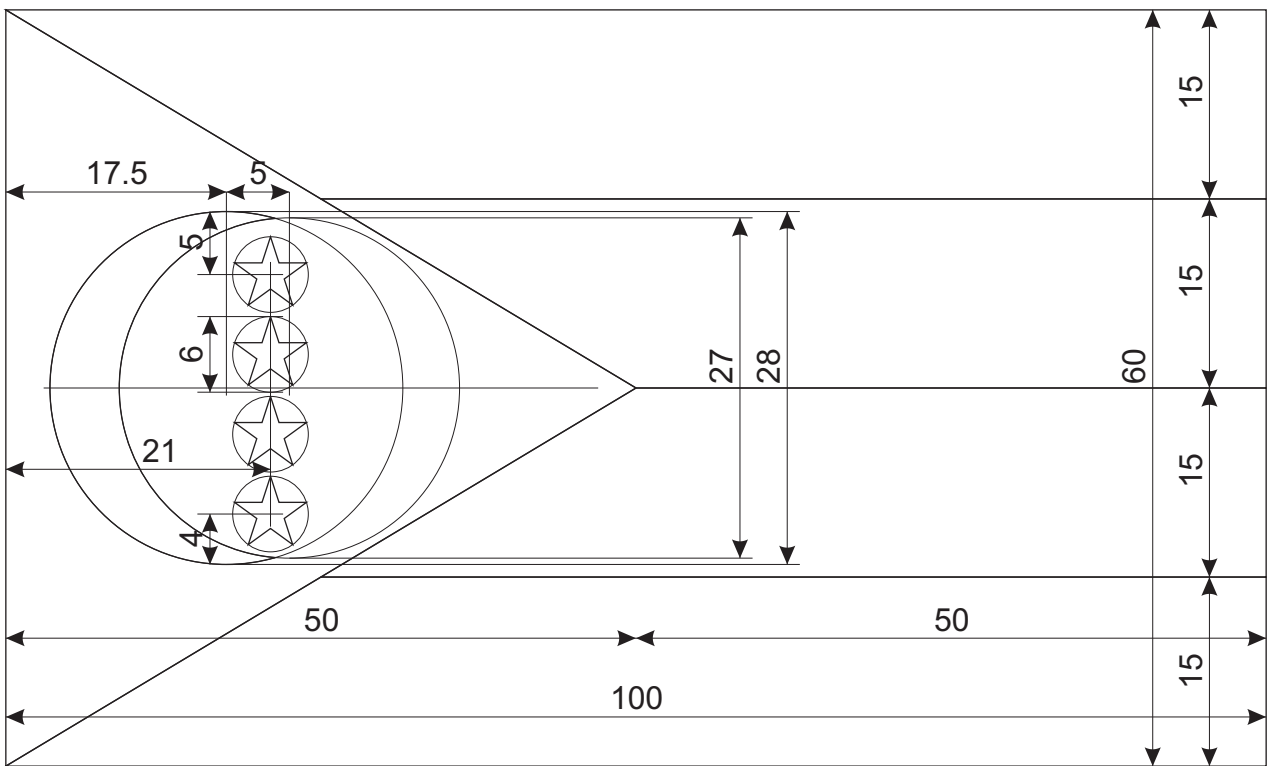
Adopted: 1861

Sources:

FOTW

Decree No. 861, 17 May 1934

Decree No. 1967, 15 August 1991



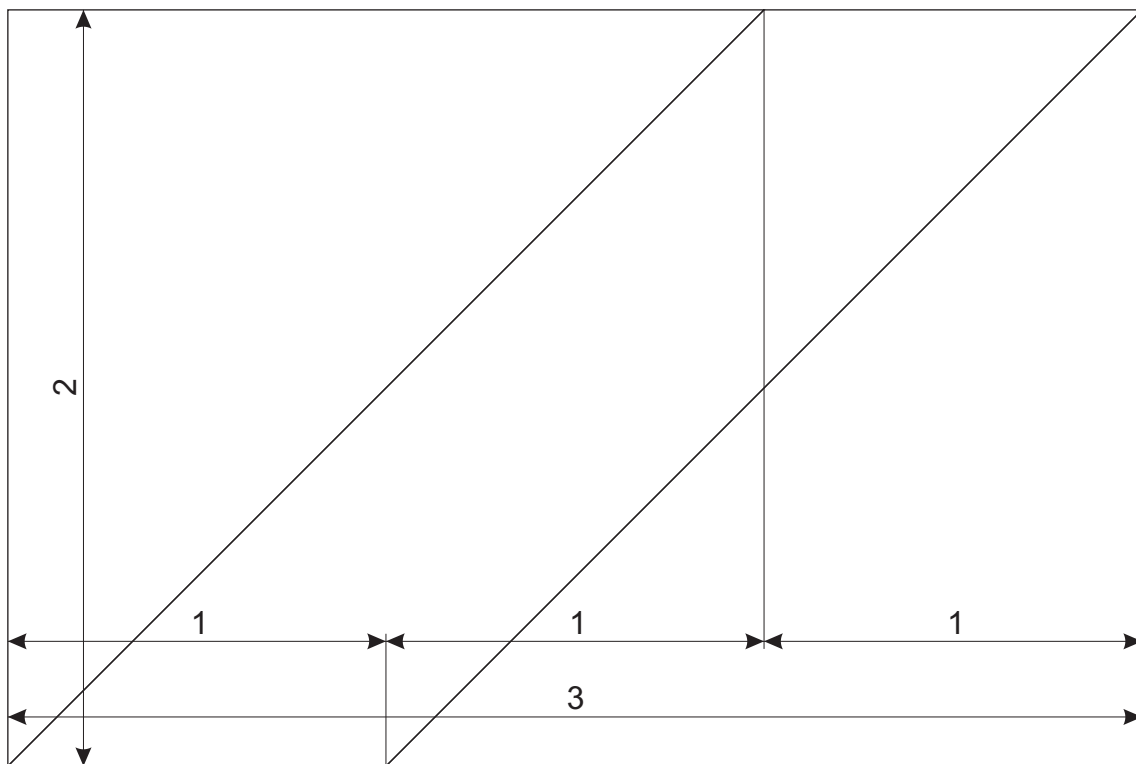
Comoros

Adopted: 2002

Sources:

FOTW, WFD

* details in the triangle vary in sources



Congo (Brazzaville)

Adopted: 1991

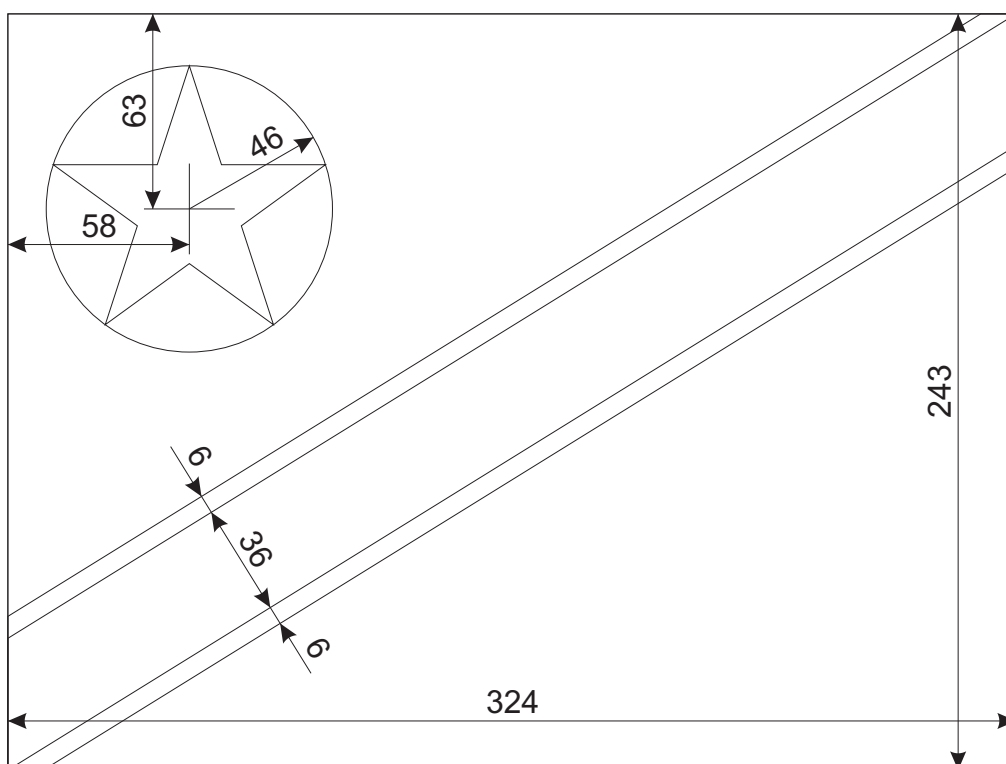
Sources:

FOTW

Constitution de la République du Congo-Brazzaville Examinée par le Conseil Supérieur de la République le 20 Décembre 1991 et adoptée au Référendum du 15 Mars 1992

Fundamental Act, 1997

Constitution for the Republic of the Congo, 20 January 2002



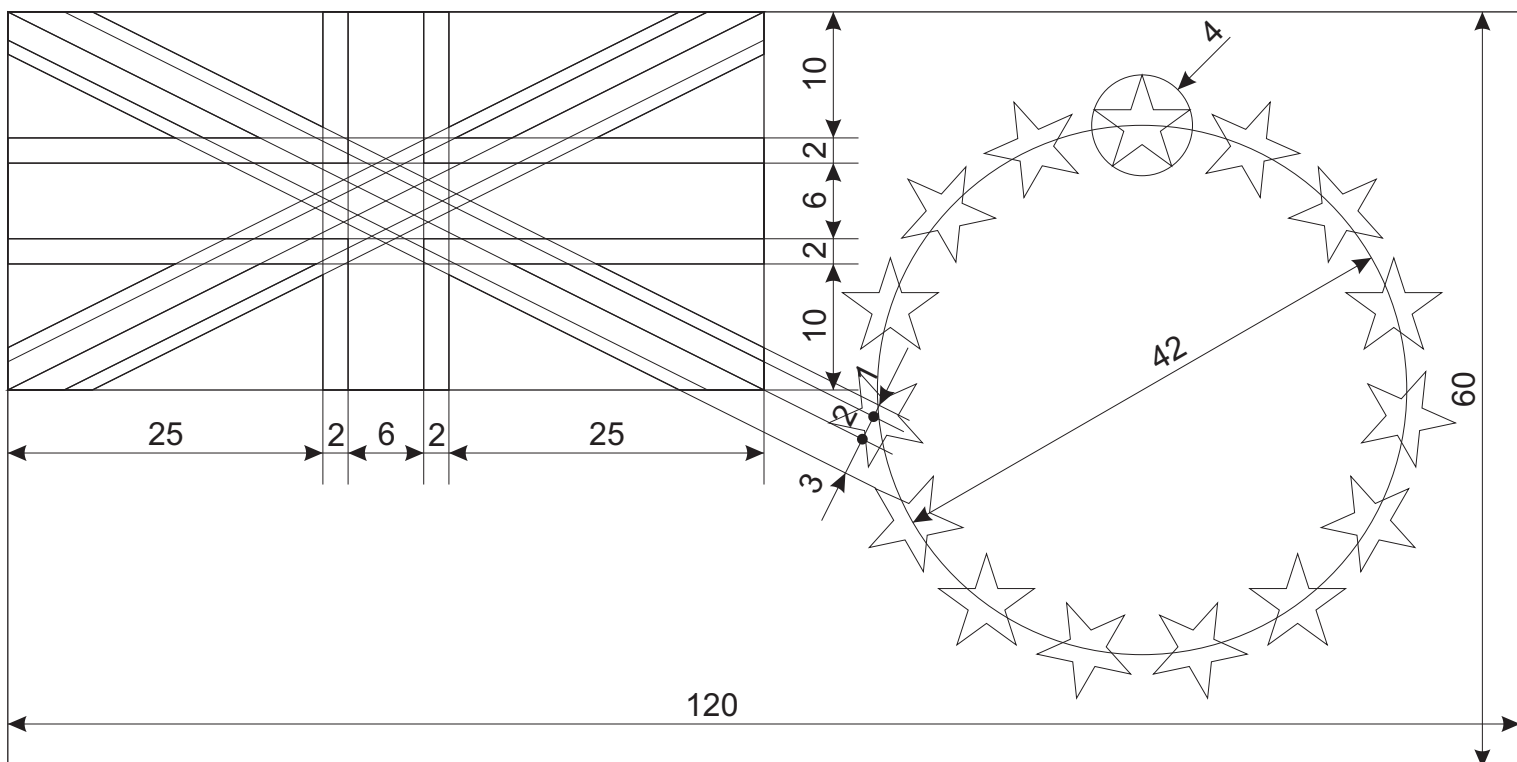
Congo DR (Kinshasa)

Adopted: 2006

Sources:

FOTW

Cérémonie de Signature et Promulgation de la Constitution de la 3ème République : Samedi 18 Février 2006. [c9d06]

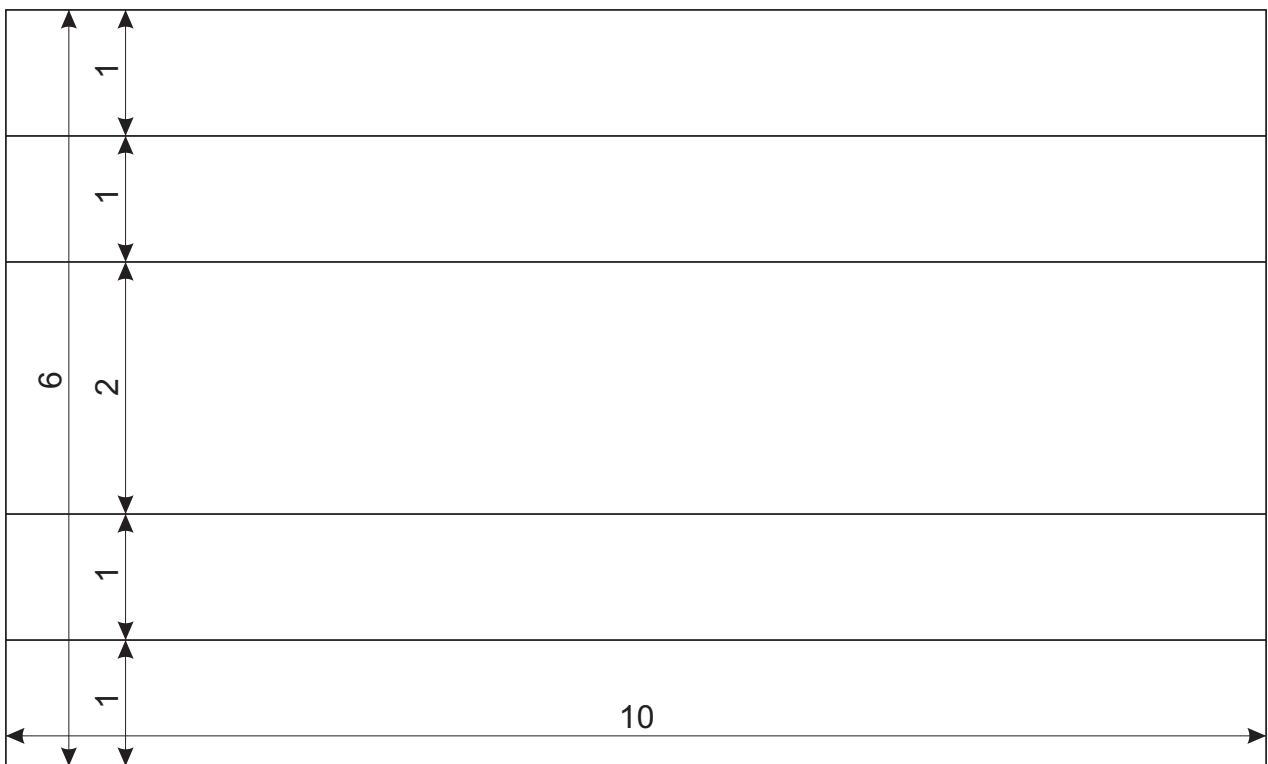


Cook Islands

Adopted: 1979

Sources:

FOTW, WFD, BR20



Costa Rica

Adopted: 1848

Sources:

FOTW

Ley N° 18 del 27 de noviembre de 1906

Regula Uso Símbolos Nacionales - Pabellón y Escudo,

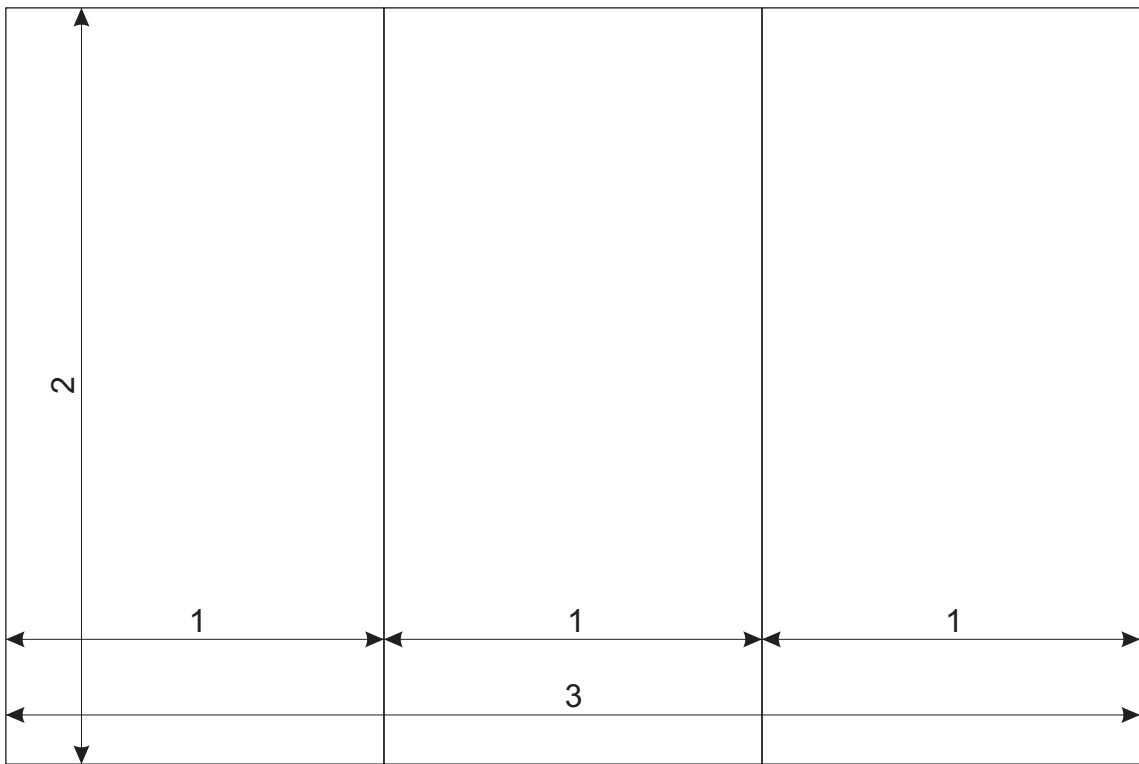
<http://documentos.cgr.go.cr/content/dav/jaguar/USI/normativa/Leyes/L-18.doc>

Amended by Ley No. 60 de 13 de junio de 1934,

Artículo 1° de la Ley N° 3429 de 21 de octubre de 1964,

Artículo 1° de la Ley N° 5948 de 29 de octubre de 1976,

Article 15 voided by Resolución de la Sala Constitucional N° 5115-95 de las 20:24 horas del 13 de setiembre de 1995.



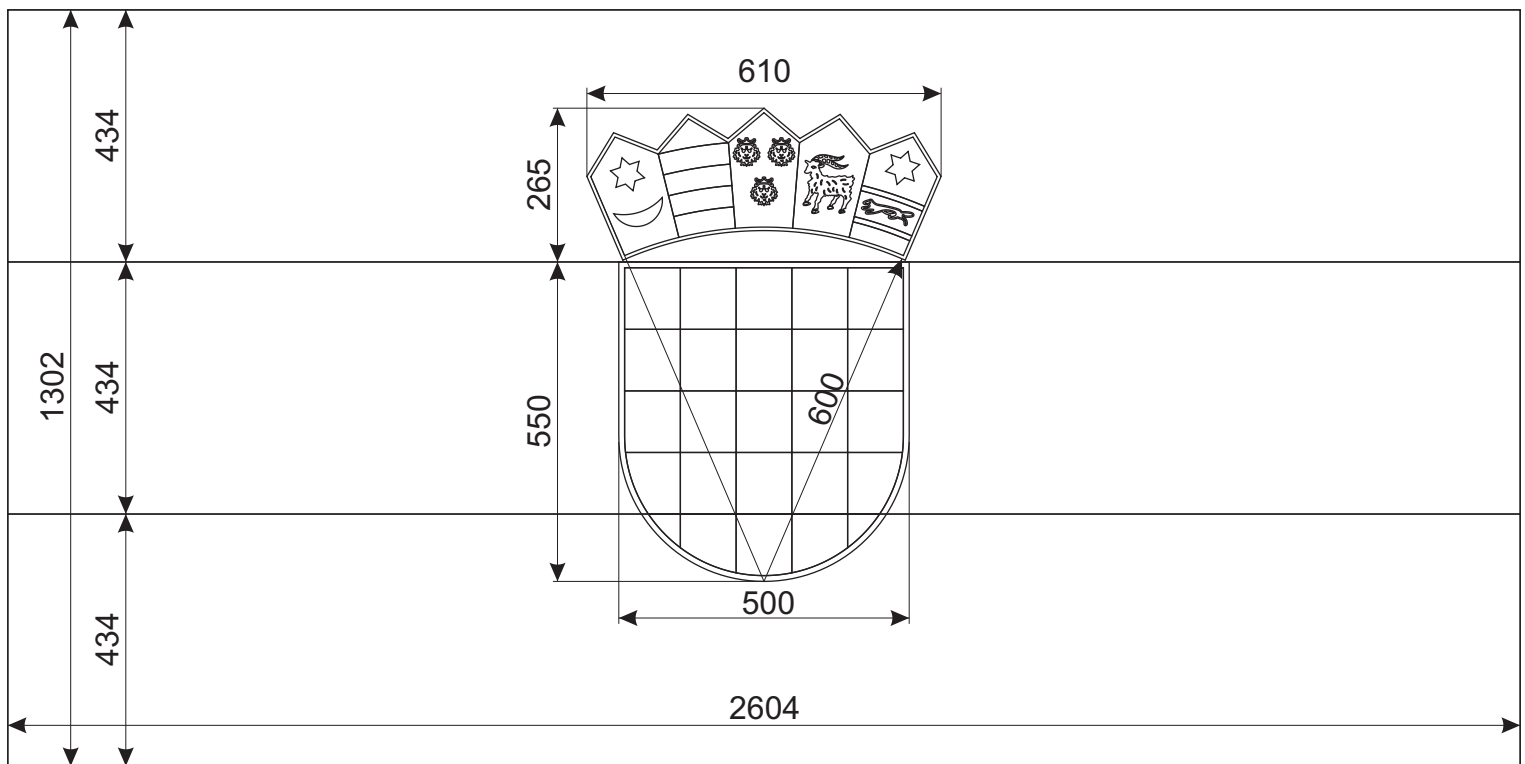
Côte d'Ivoire

Adopted: 1959

Sources:

FOTW

* overall ratio not strictly defined



Croatia

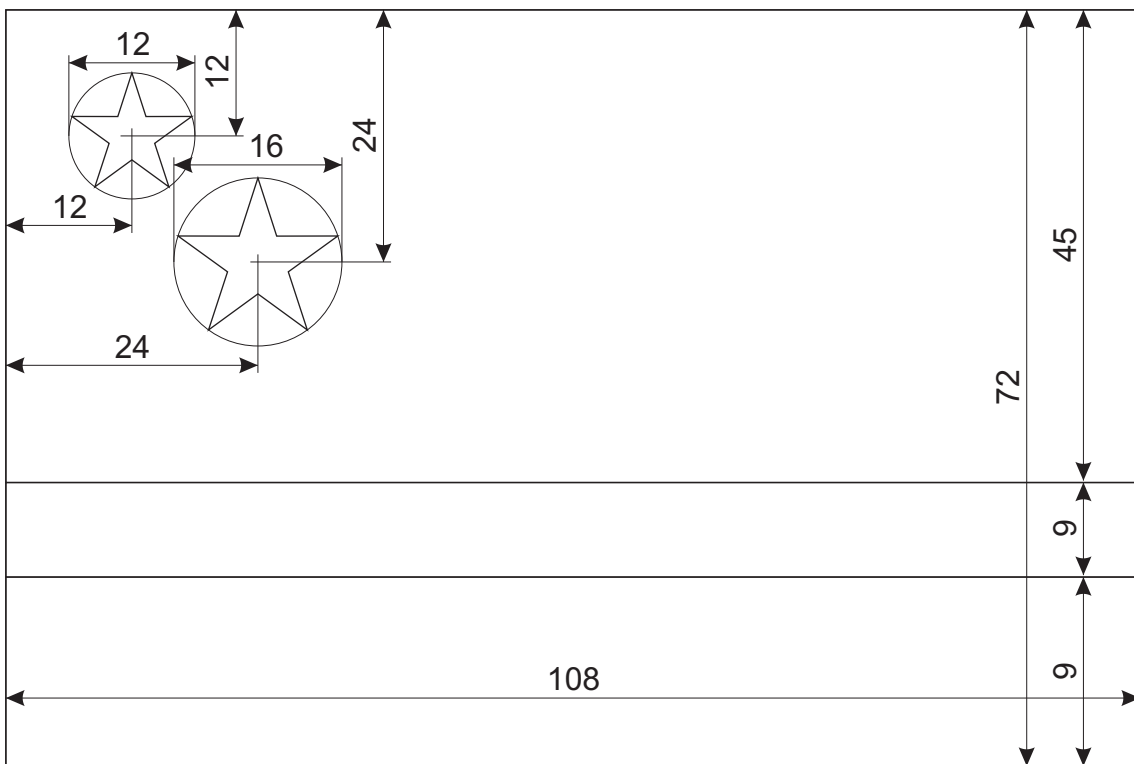
Adopted: 1990

Sources:

FOTW

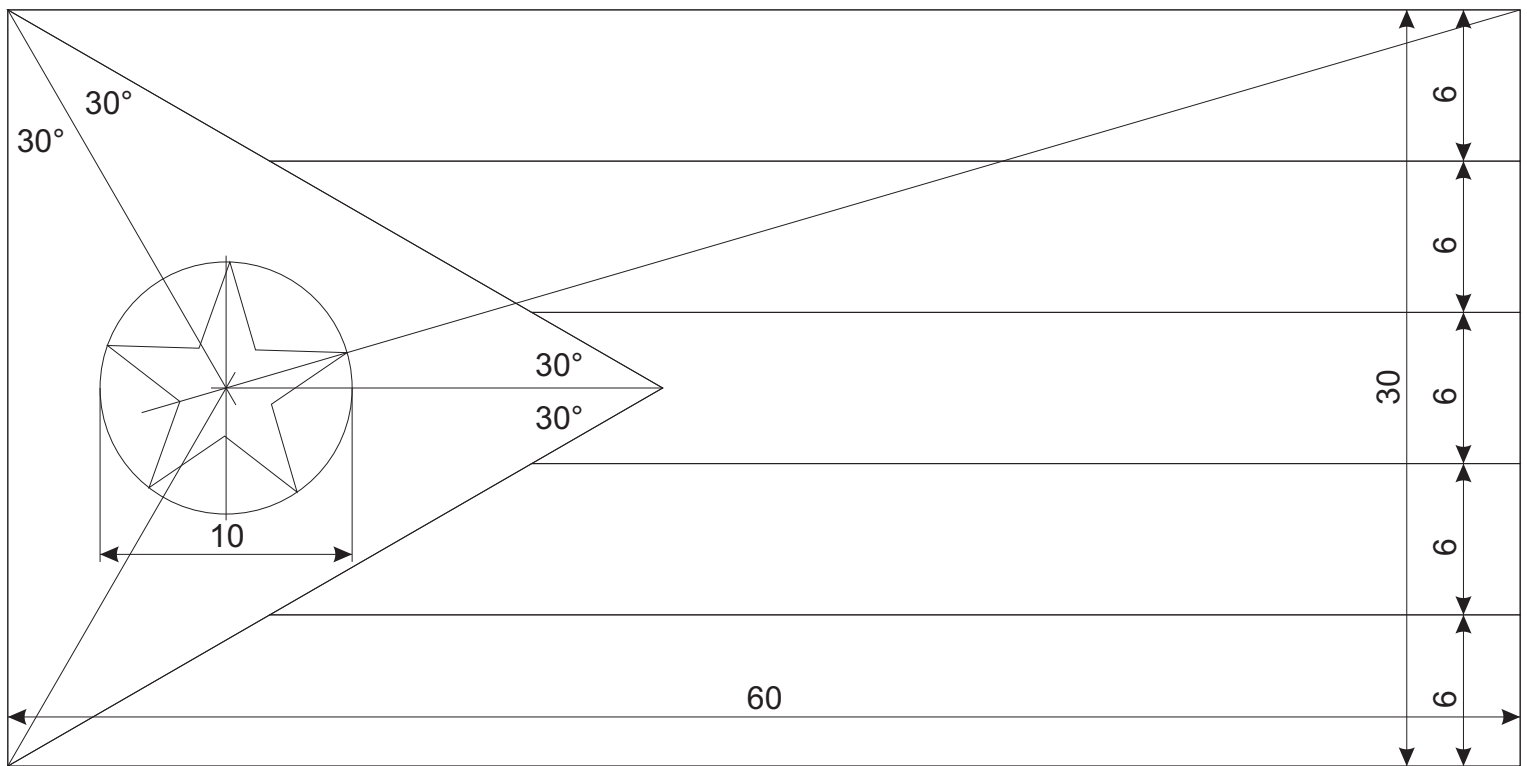
Zakon o grbu, zastavi i himni Republike Hrvatske, te zastavi i lenti Predsjednika Republike Hrvatske, 21. prosinca 1990, NN 55/90.

Heimer: "Grb i zastava Republike Hrvatske", Leykam International, Zagreb, 2008.



Curaçao

Adopted: 1984
Sources:
FOTW



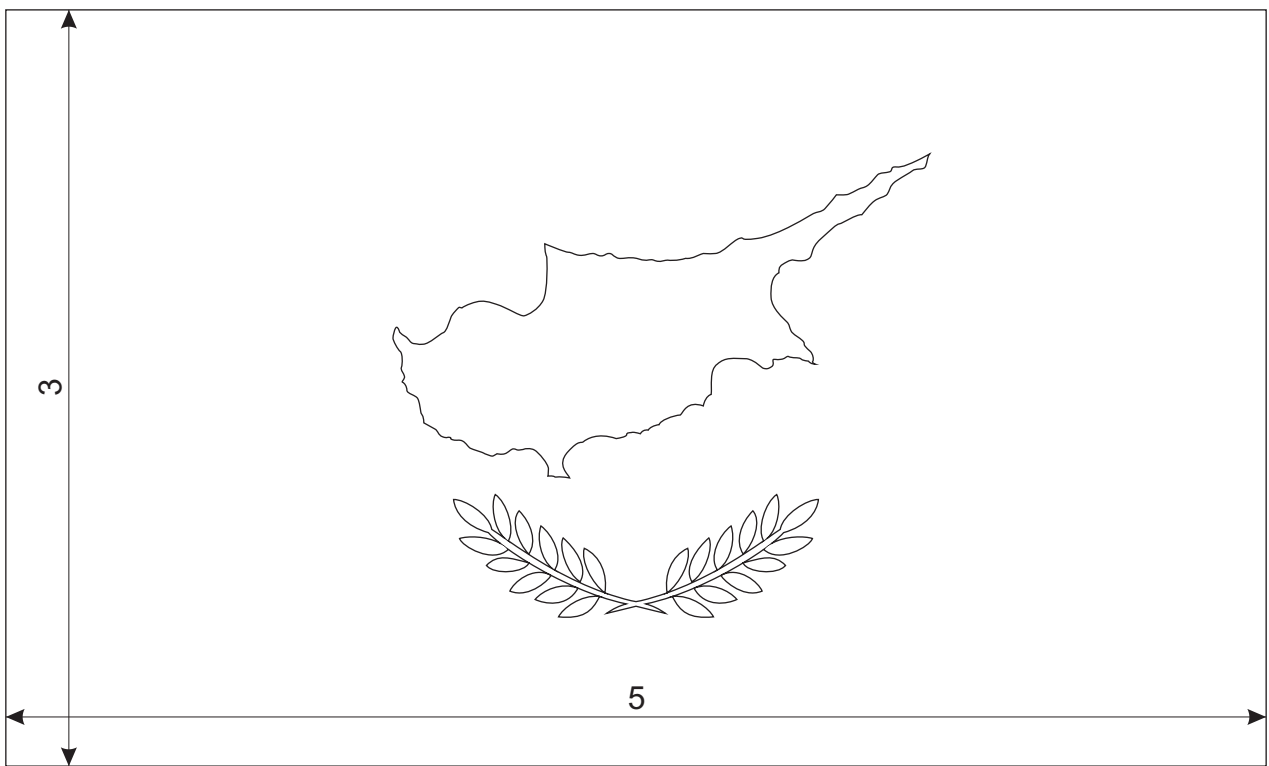
Cuba

Adopted: 1984

Sources:

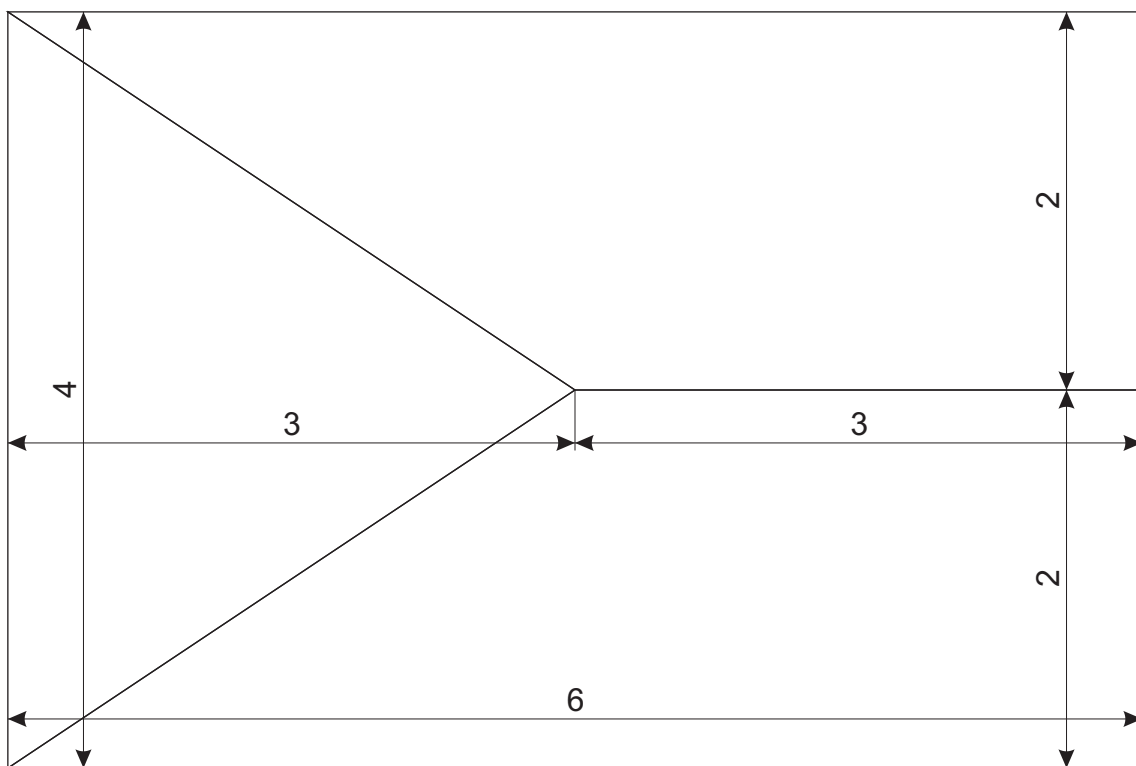
FOTW

Law 42 on National Symbols, National Assembly of the People's Power, Gaceta Oficial de la República de Cuba, December 1983, Article 4, Chapter I, Fundamentos políticos, sociales y económicos del Estado, of the Constitution of the Republic of Cuba,



Cyprus

Adopted: 1960
Sources:
FOTW



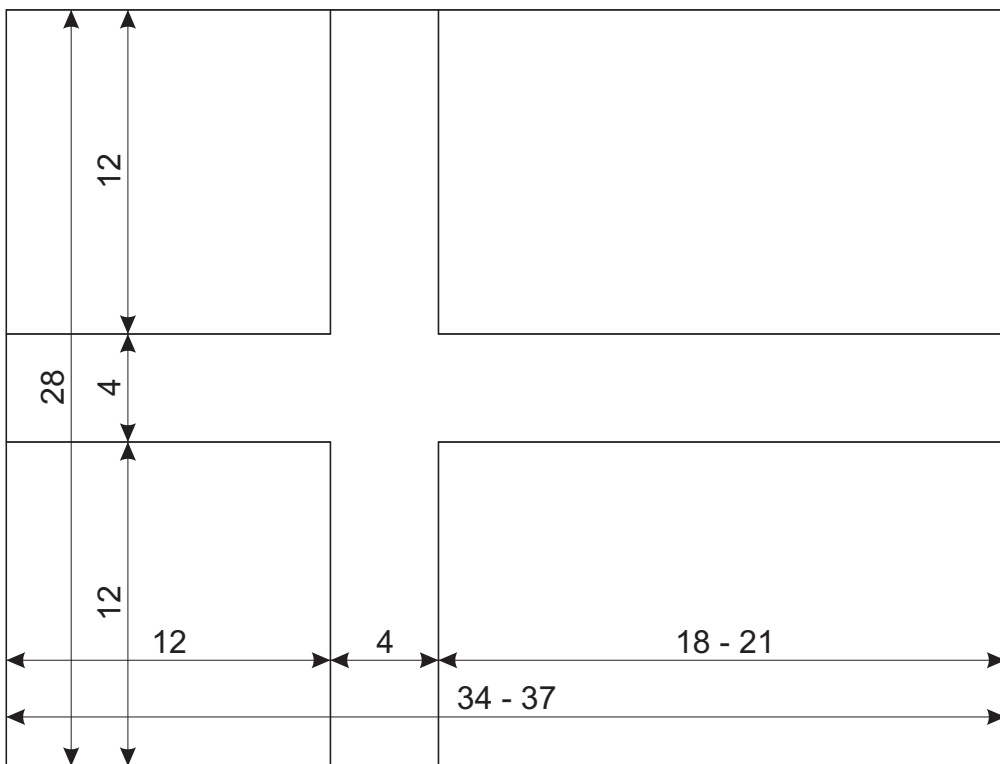
Czech Republic

Adopted: 1993

Sources:

FOTW

Zákon č. 3/1993 Sb., o státních symbolech České republiky

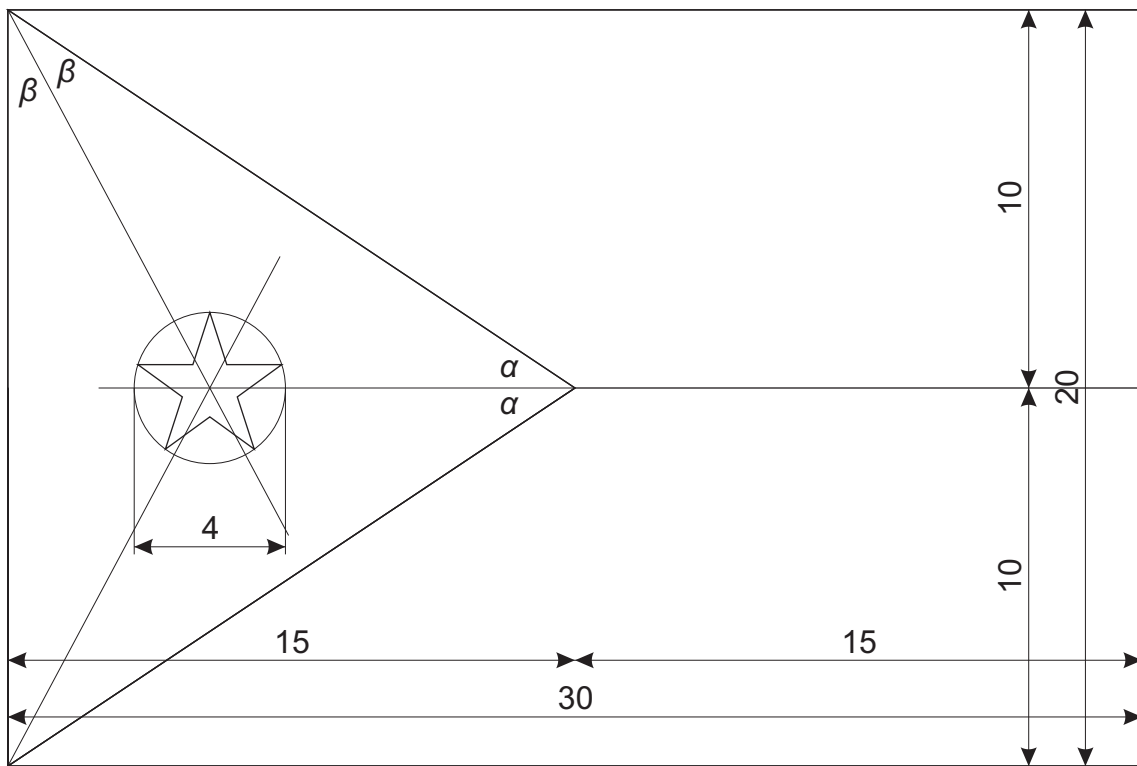


Denmark

Adopted: 1893

Sources:

FOTW



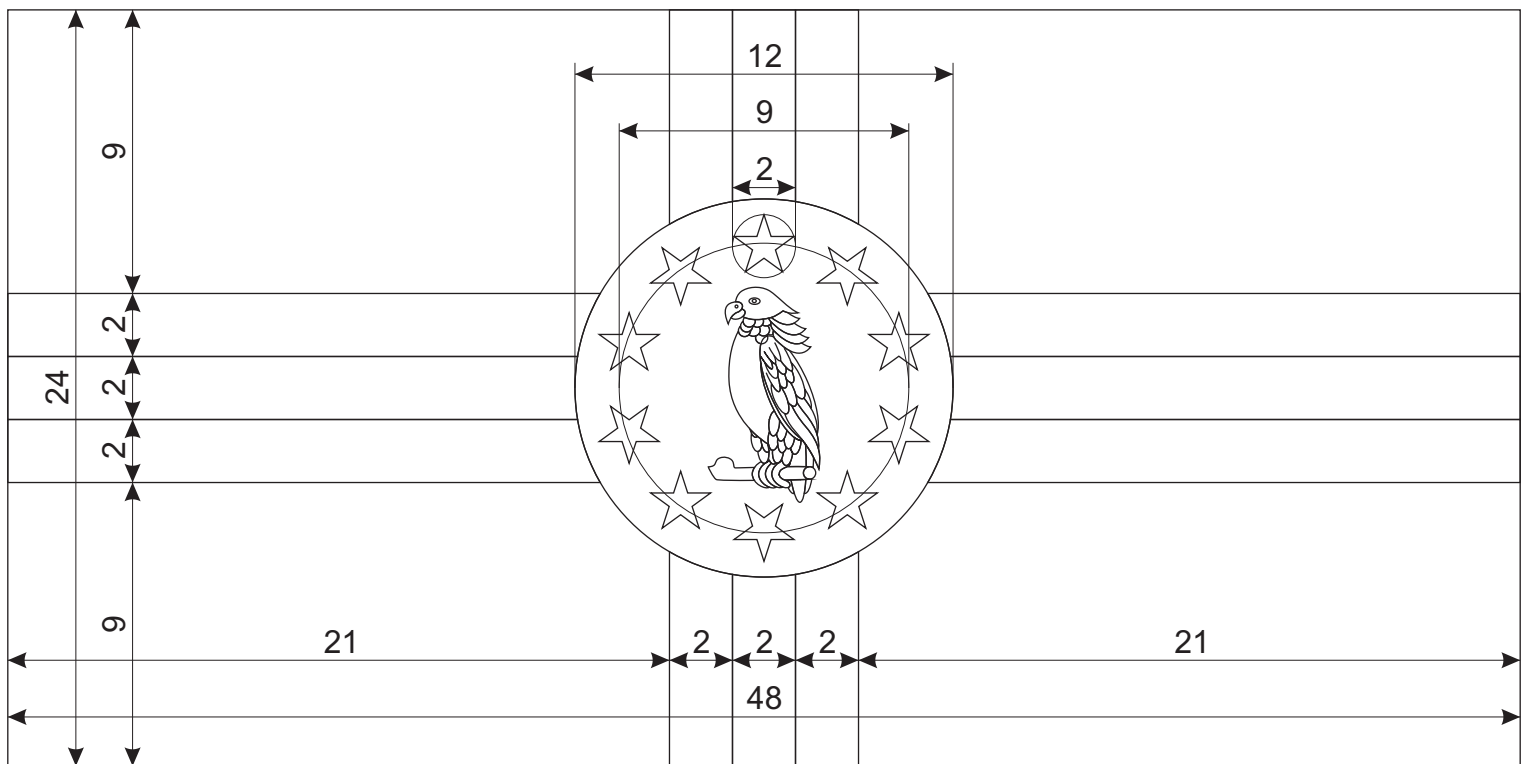
Djibouti

Adopted: 1977

Sources:

FOTW

* length of the flag and the triangle varies in sources.

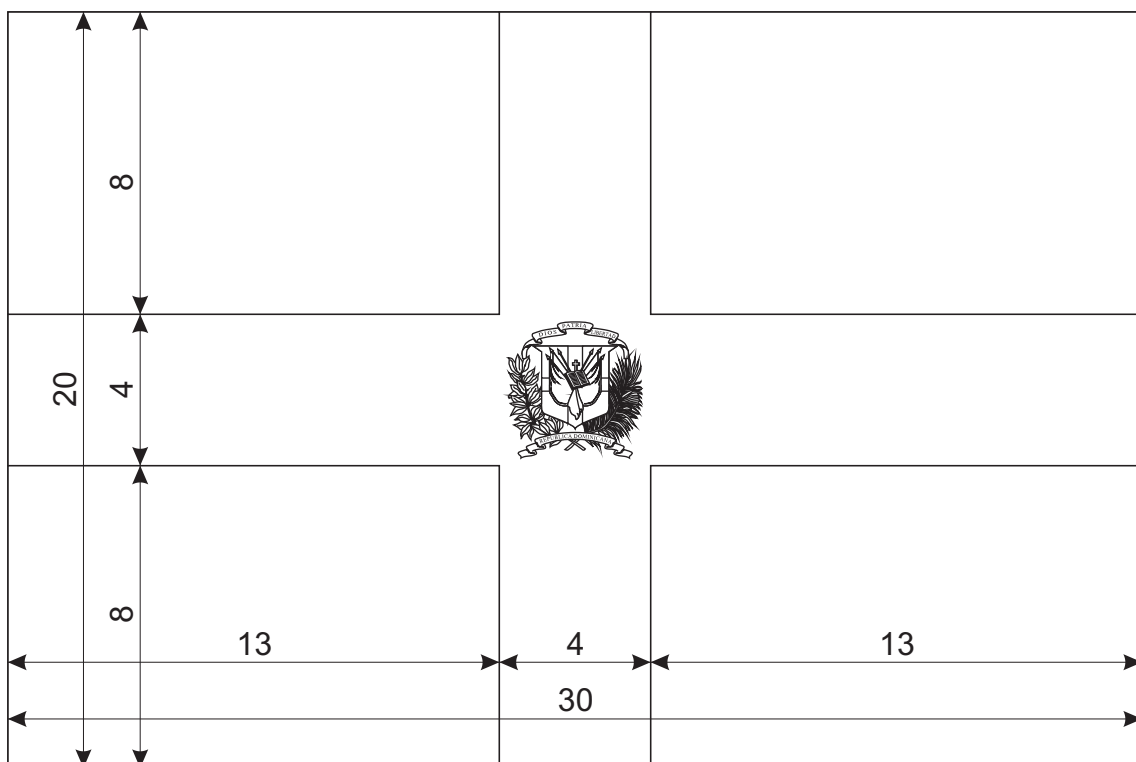


Dominica

Adopted: 1988

Sources:

FOTW, Wikipedia



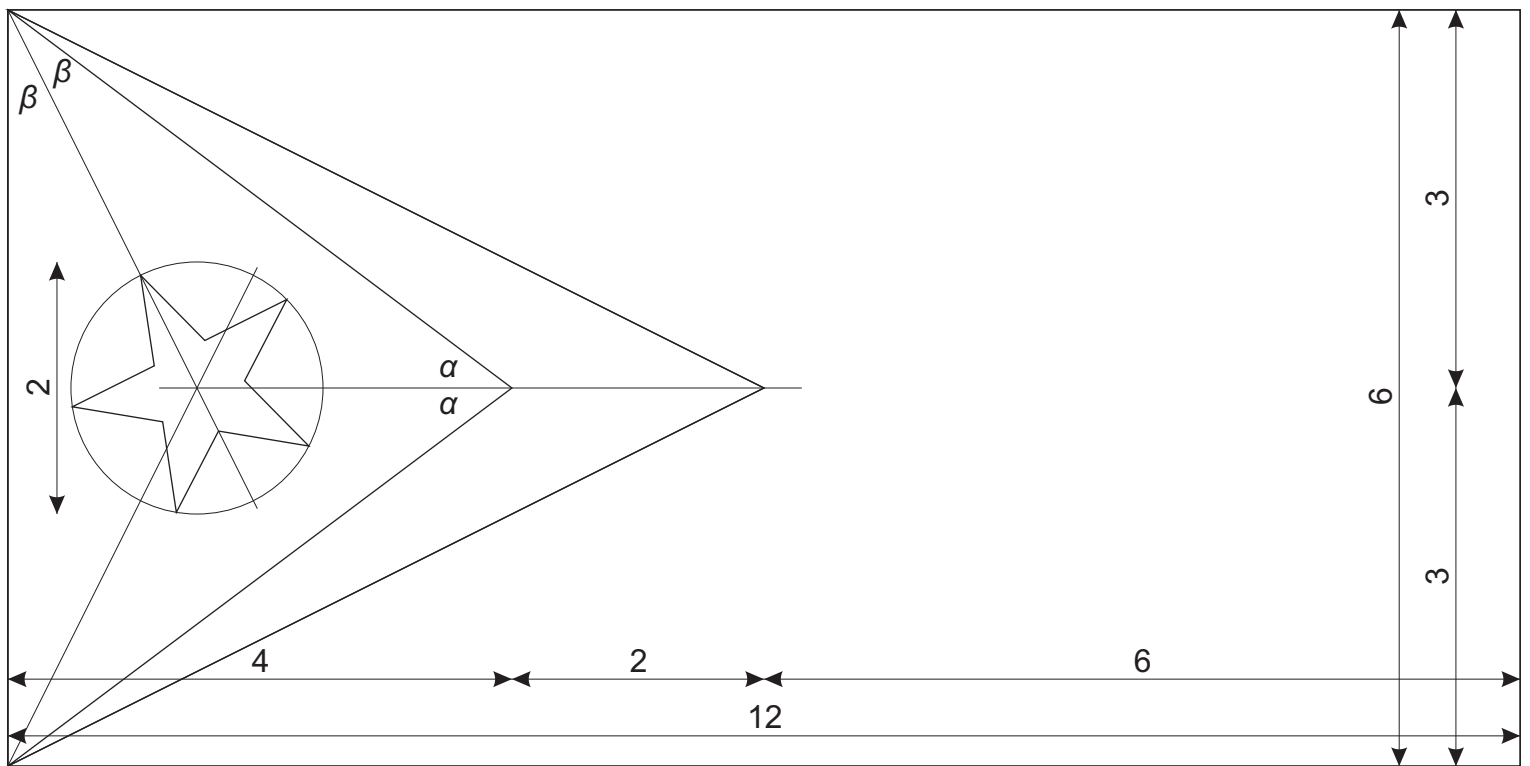
Dominican Republic

Adopted: 1844

Sources:

FOTW

he Constitution of the Dominican Republic, 28 November 1966 (last amended 10 August 1994), Article 95.



East Timor

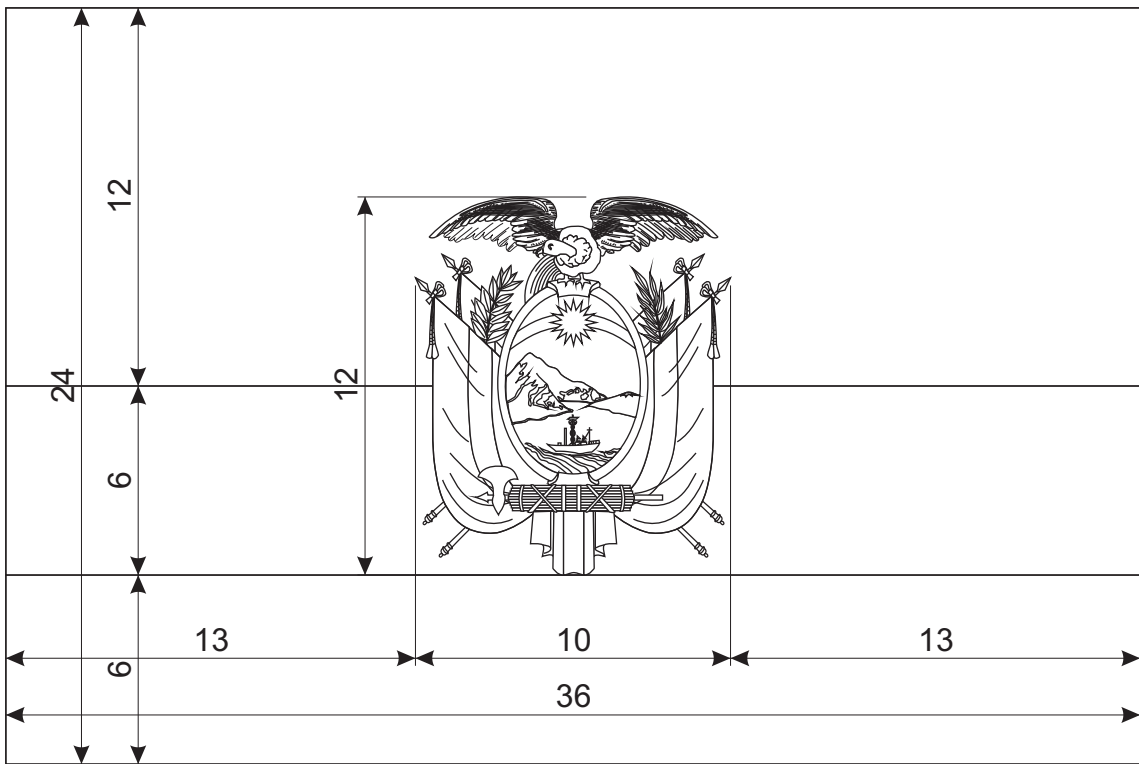
Adopted: 2002

Sources:

FOTW

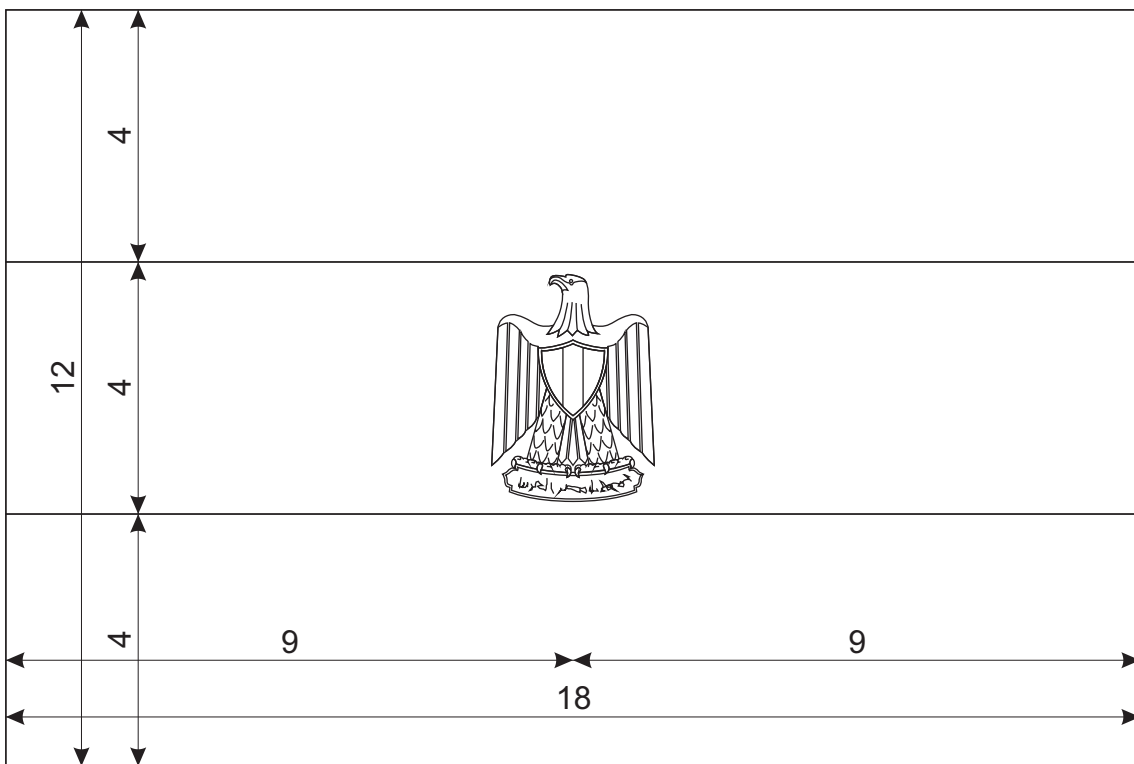
Constitution, 2002.

Flag law, 2007.



Ecuador

Adopted: 1860
Sources:
FOTW

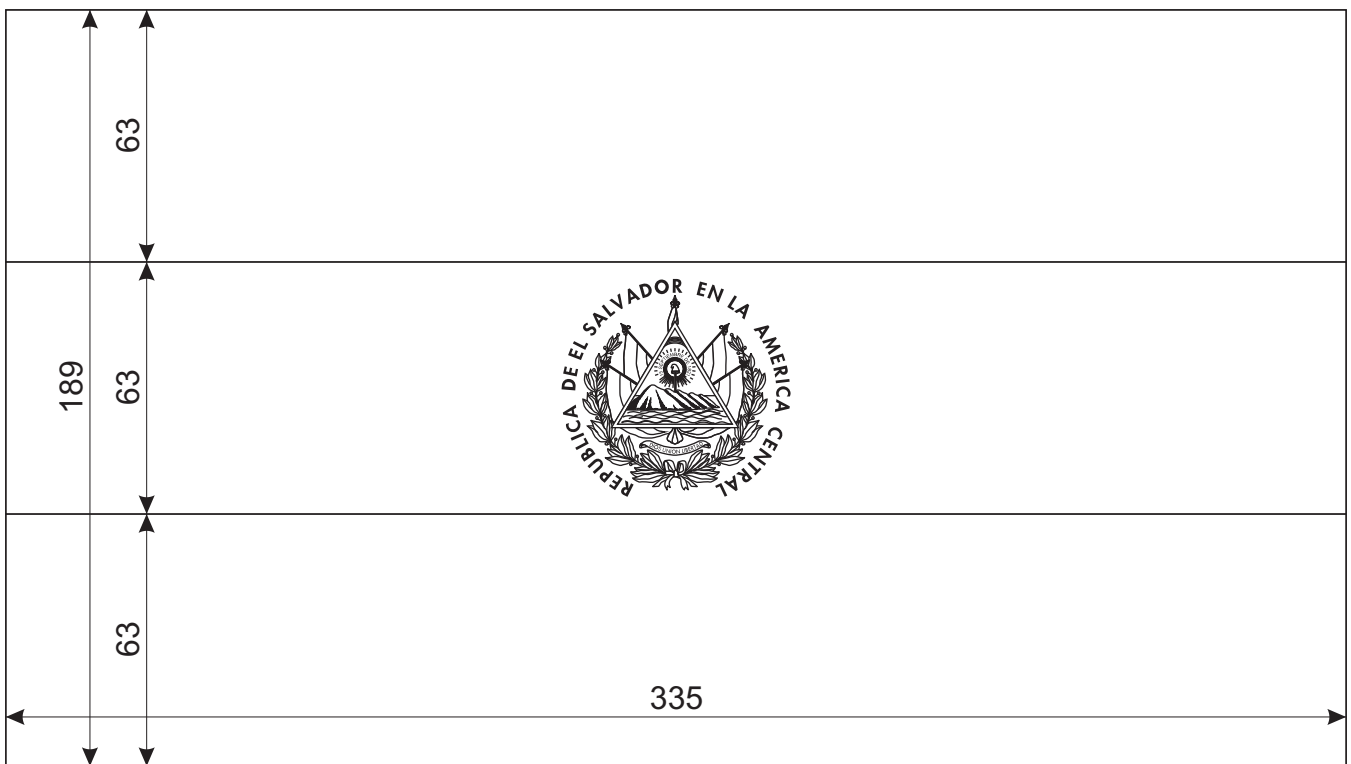


Egypt

Adopted: 1984

Sources:

FOTW



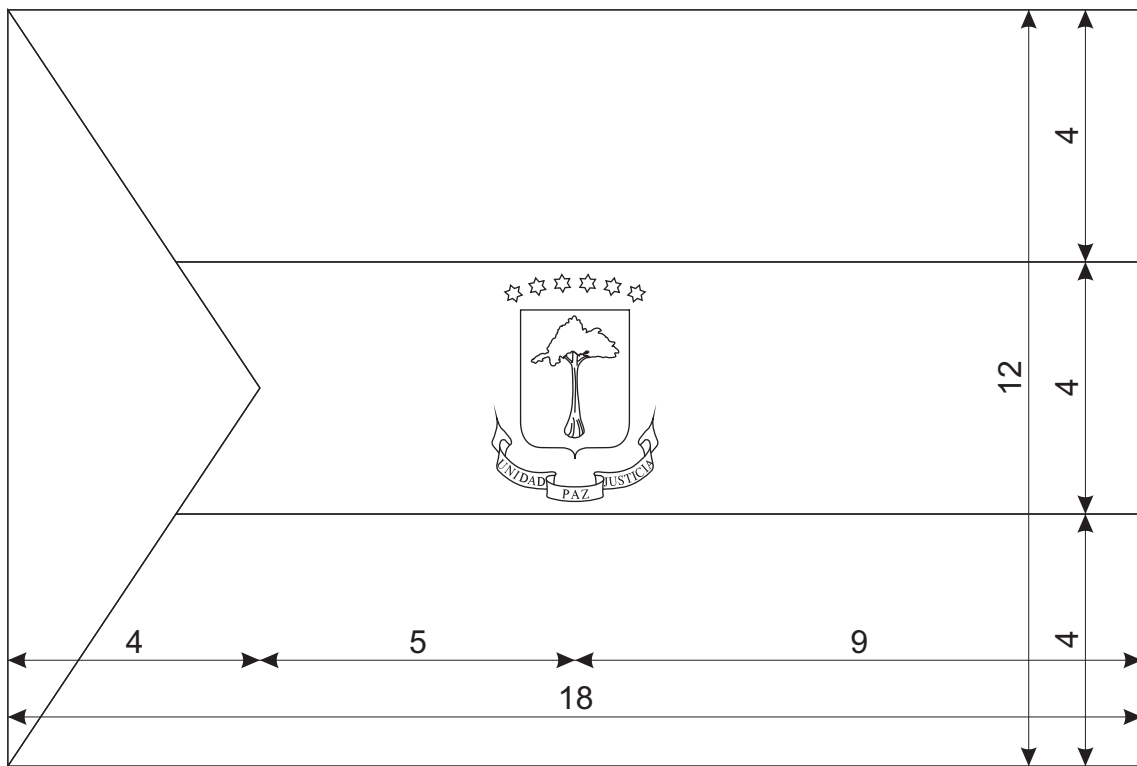
El Salvador

Adopted: 1972

Sources:

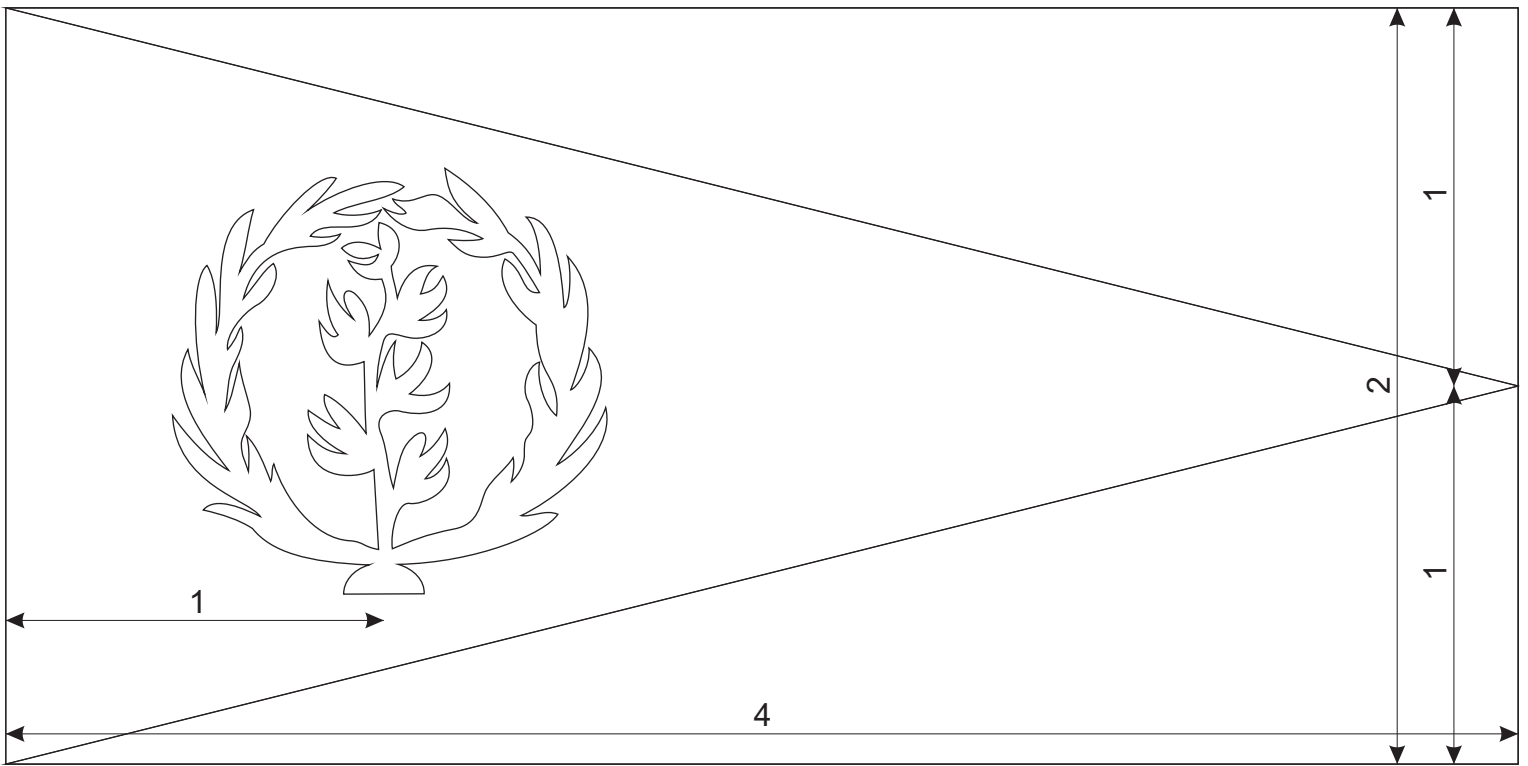
FOTW

Decree 115, Law on National Symbols (D. O. No 171, Tomo No 236), 14 September 1972:



Equatorial Guinea

Adopted: 1979
Sources:
FOTW



Eritrea

Adopted: 1995
Sources:
FOTW



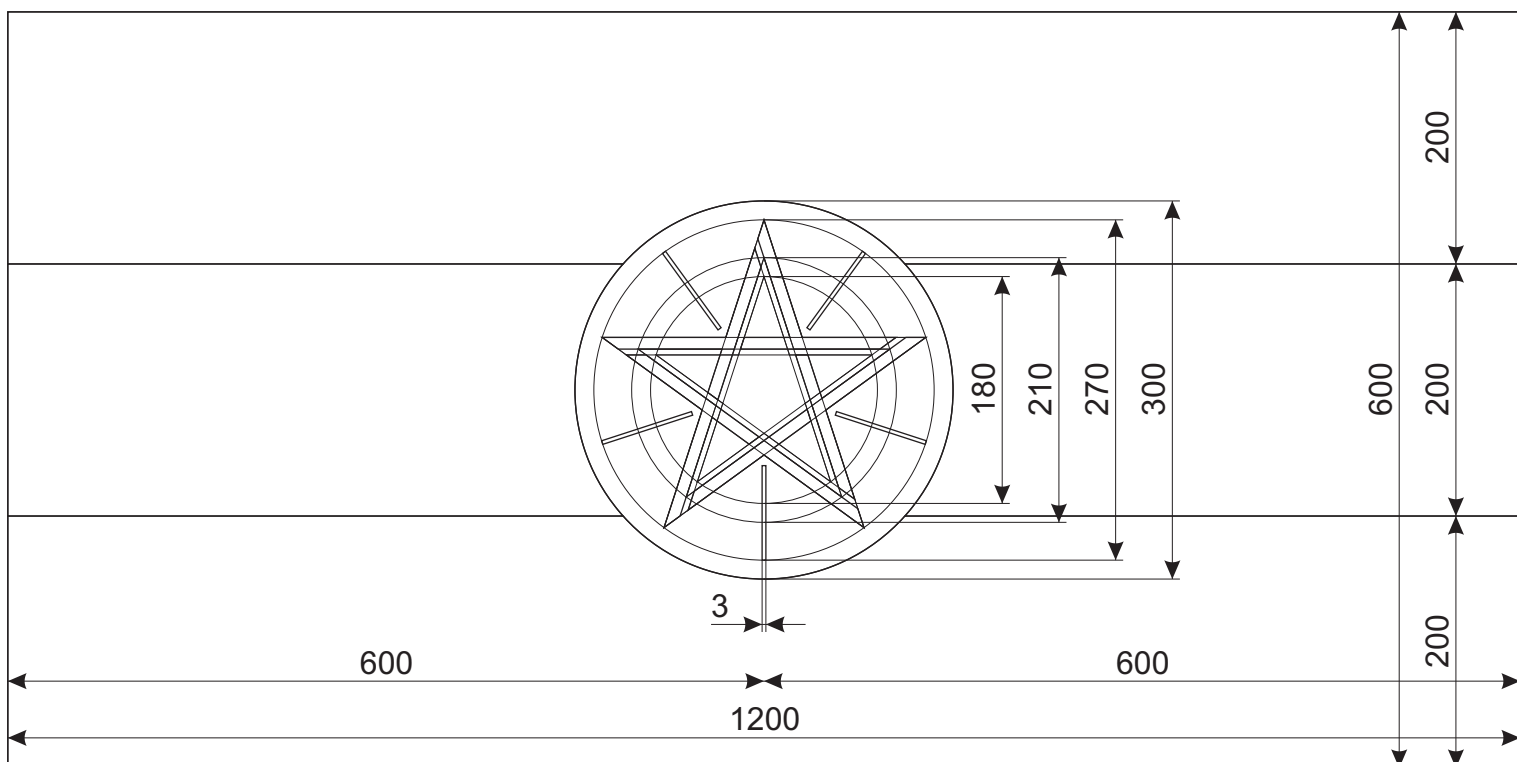
Estonia

Adopted: 1990

Sources:

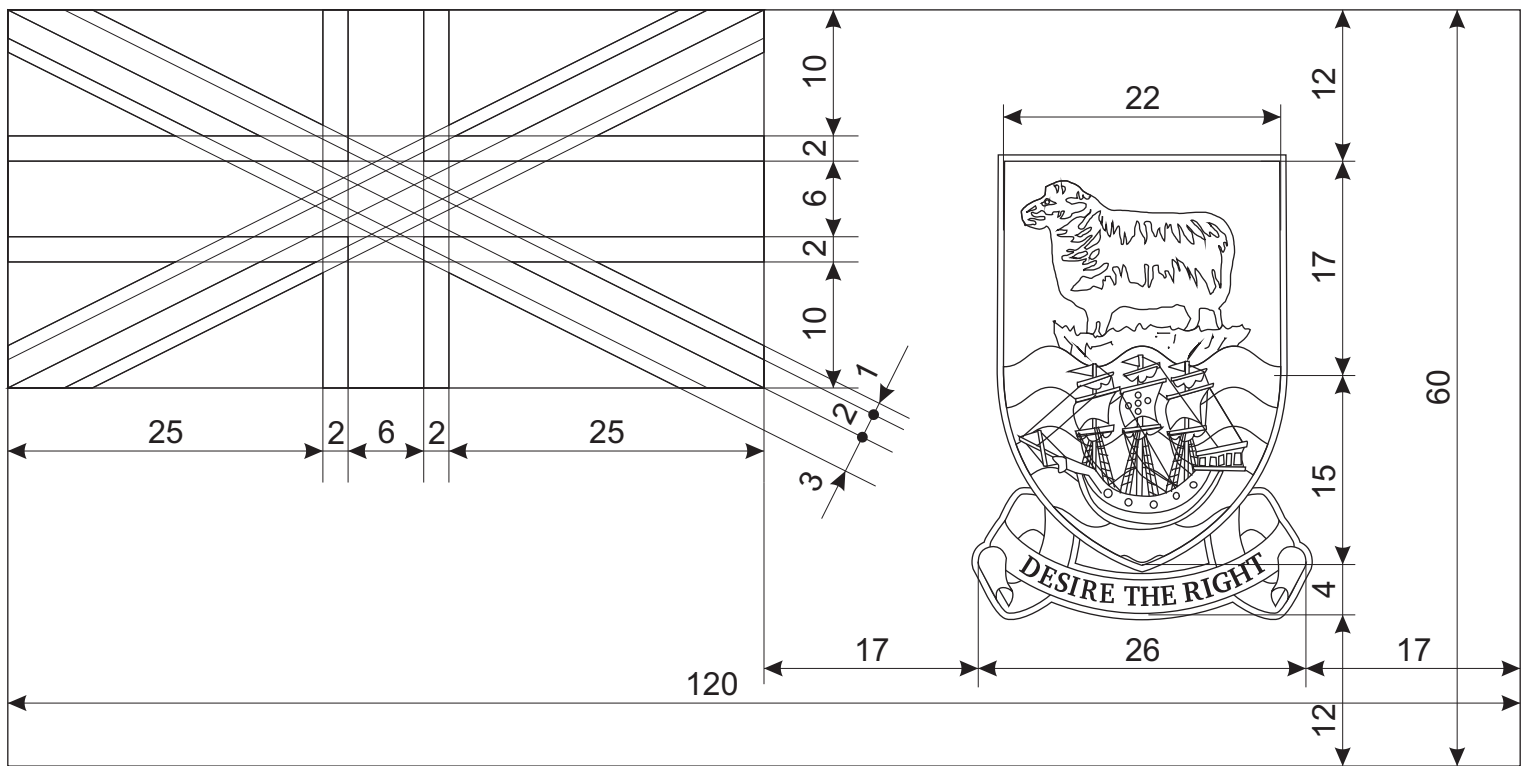
FOTW

Estonian Flag Act, 2005



Ethiopia

Adopted: 1996
Sources:
FOTW

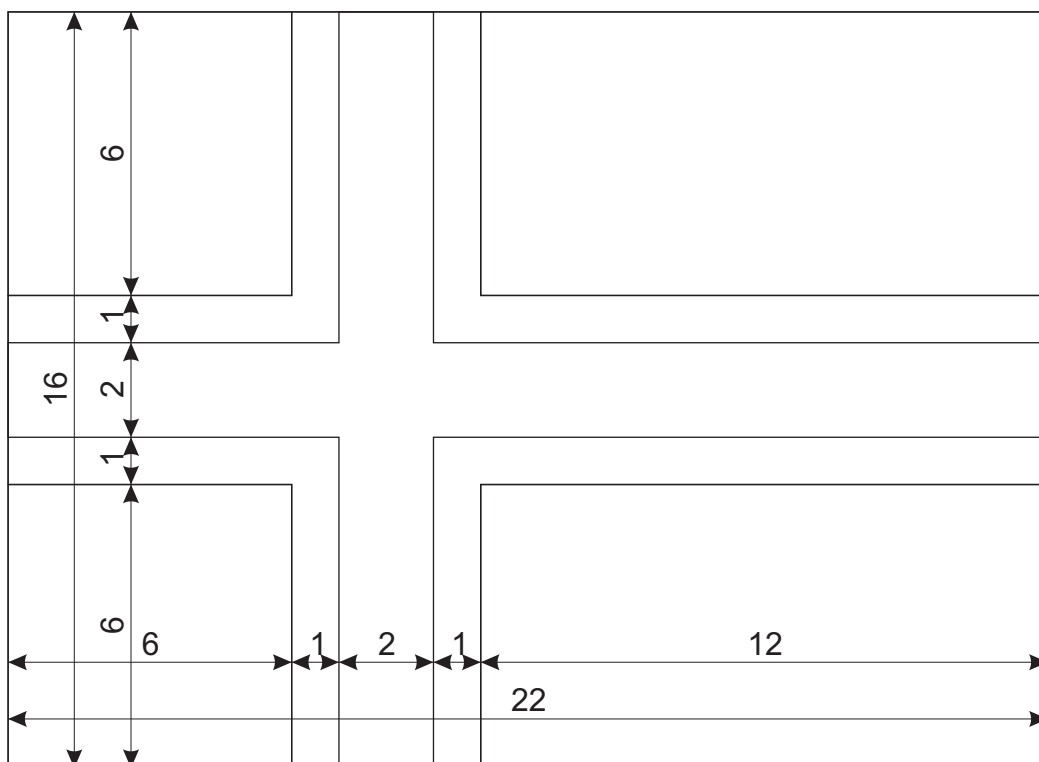


Falkland Islands

Adopted: 1999

Sources:

FOTW, WFD, BR20

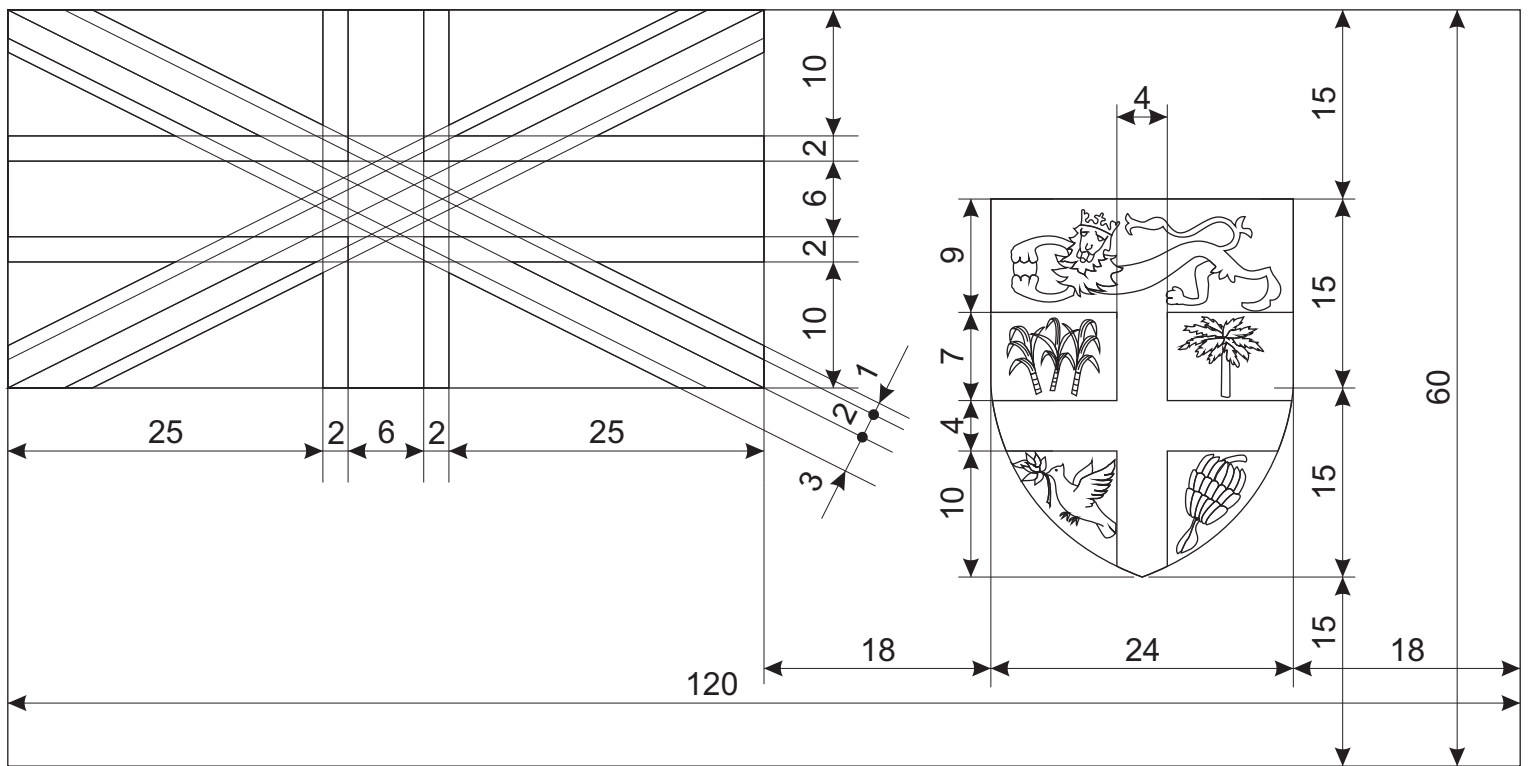


Faroe Islands

Adopted: 1948 (1959)

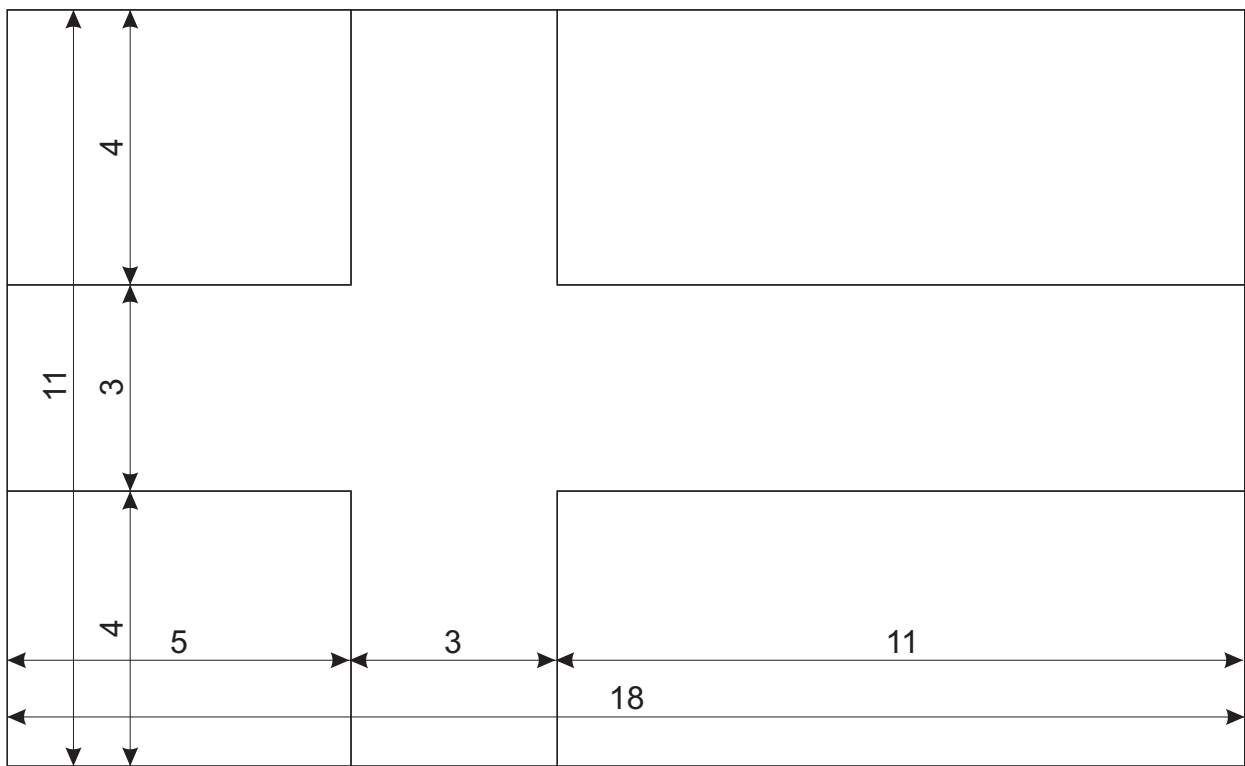
Sources:

FOTW



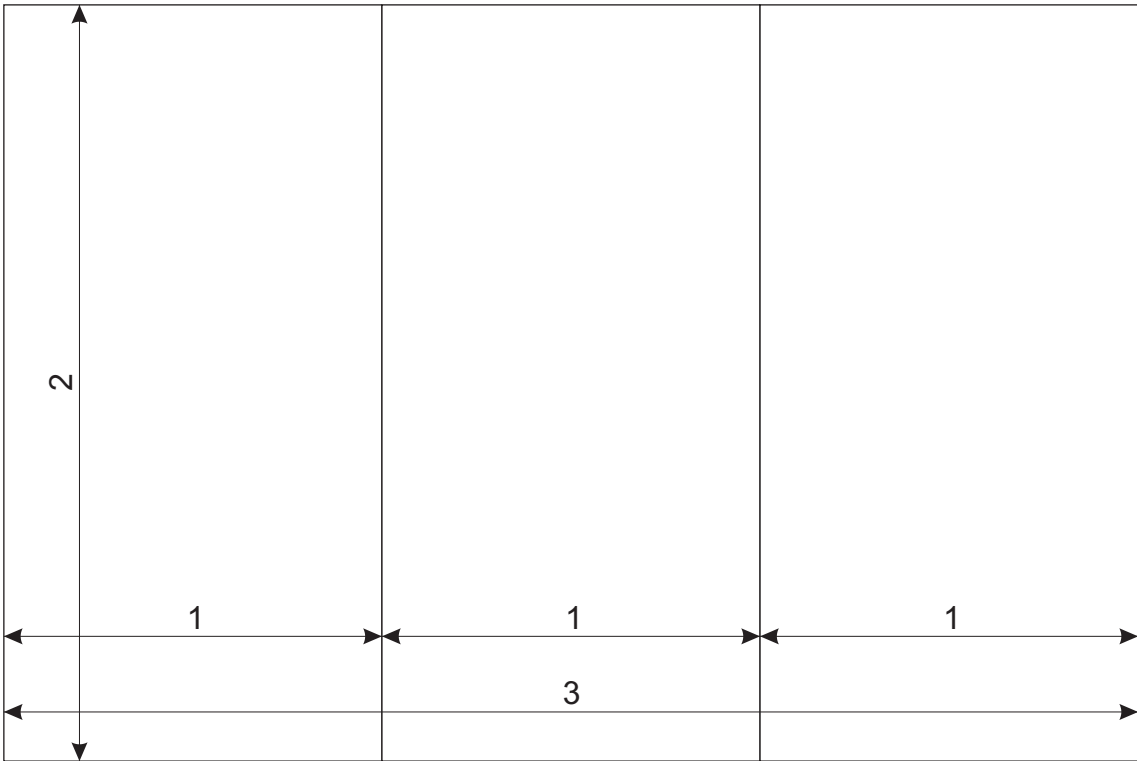
Fiji

Adopted: 1970
 Sources:
 FOTW



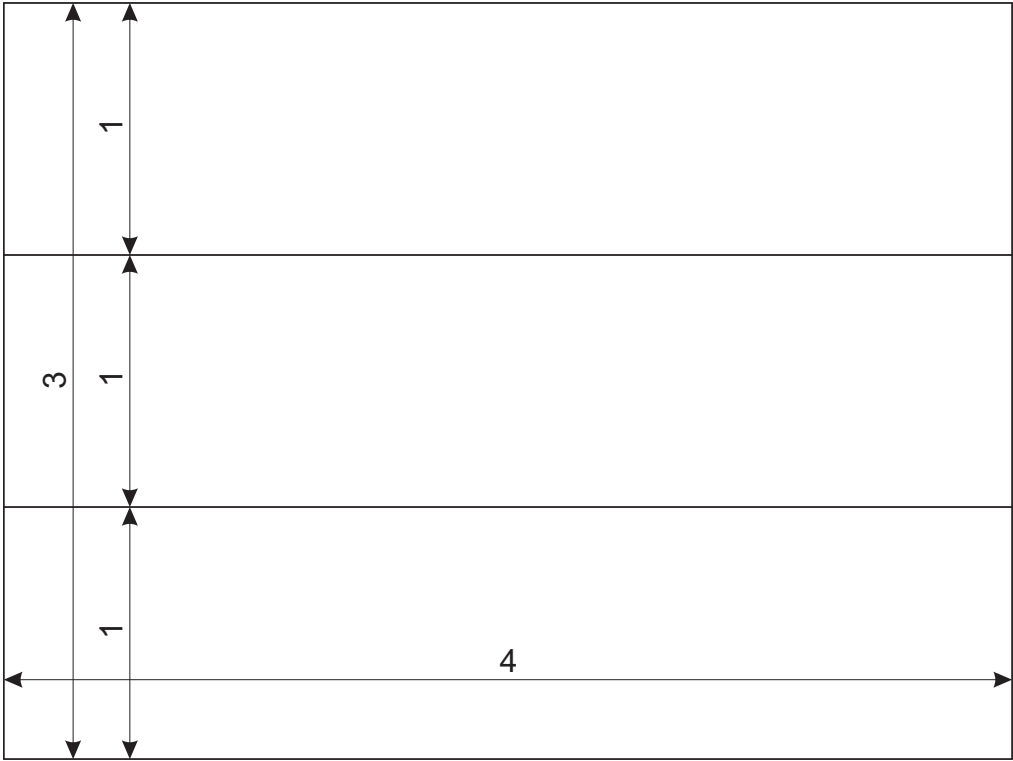
Finland

Adopted: 1920
Sources:
FOTW



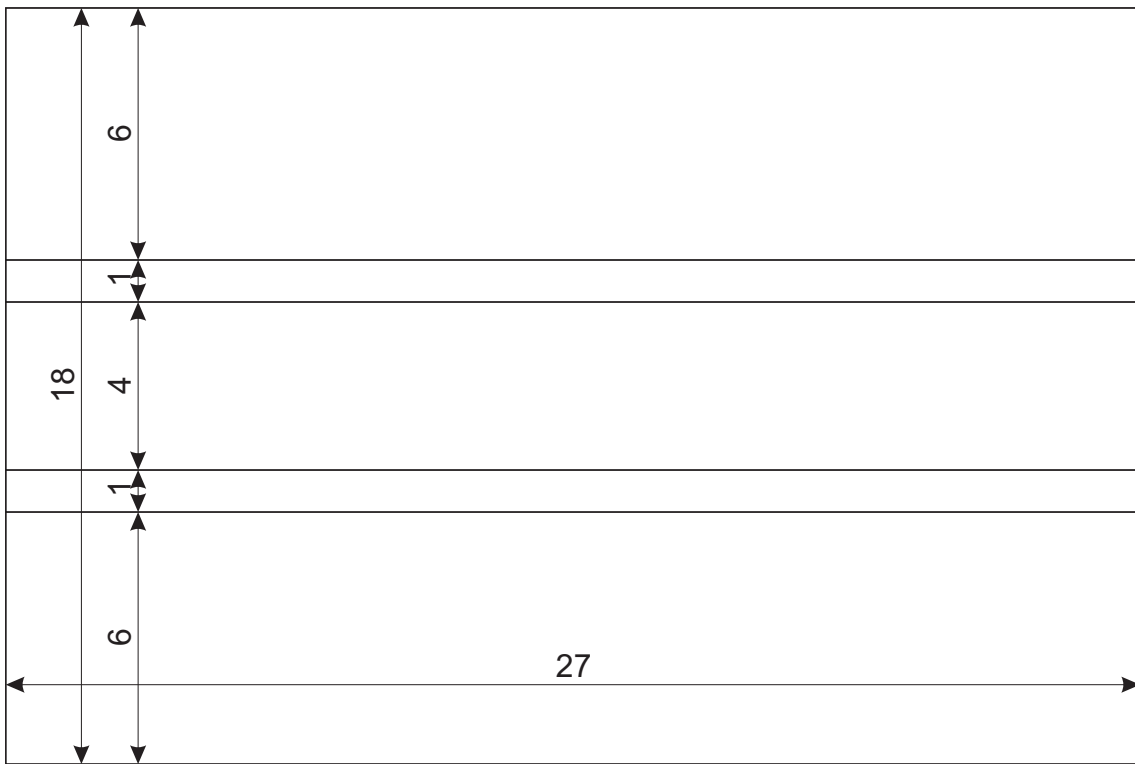
France

Adopted: 1794
Sources:
FOTW



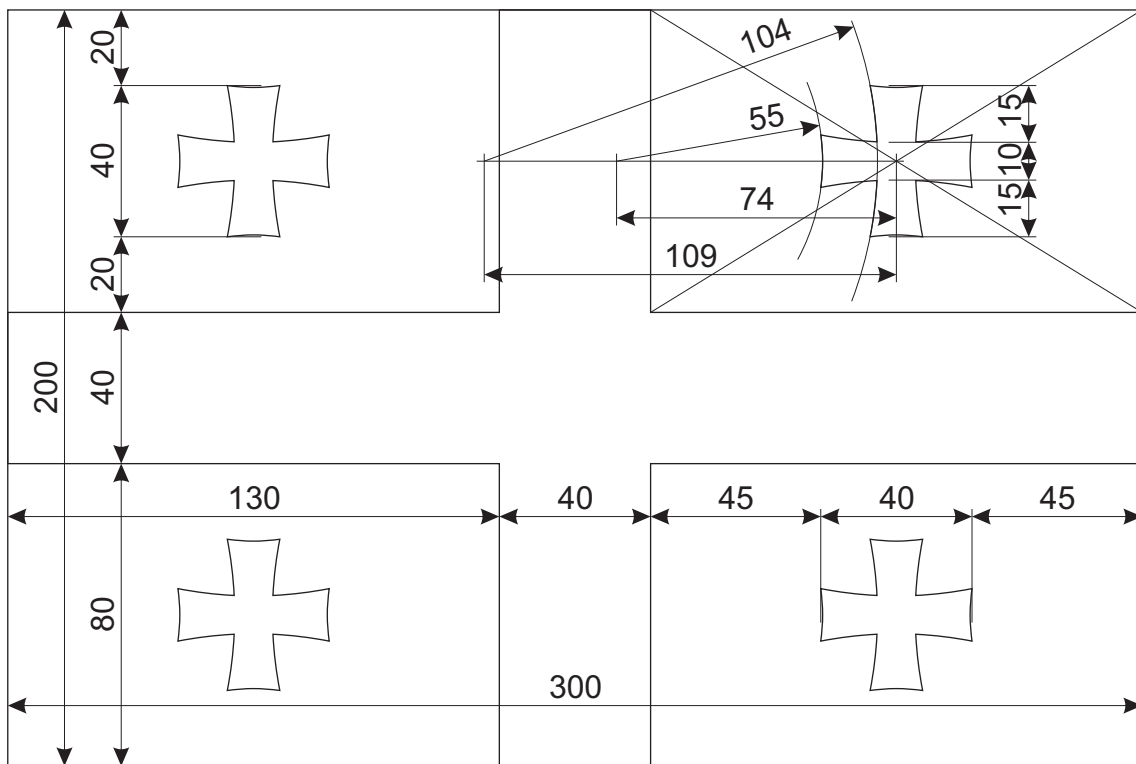
Gabon

Adopted: 1960
Sources:
FOTW



Gambia

Adopted: 1965
Sources:
FOTW



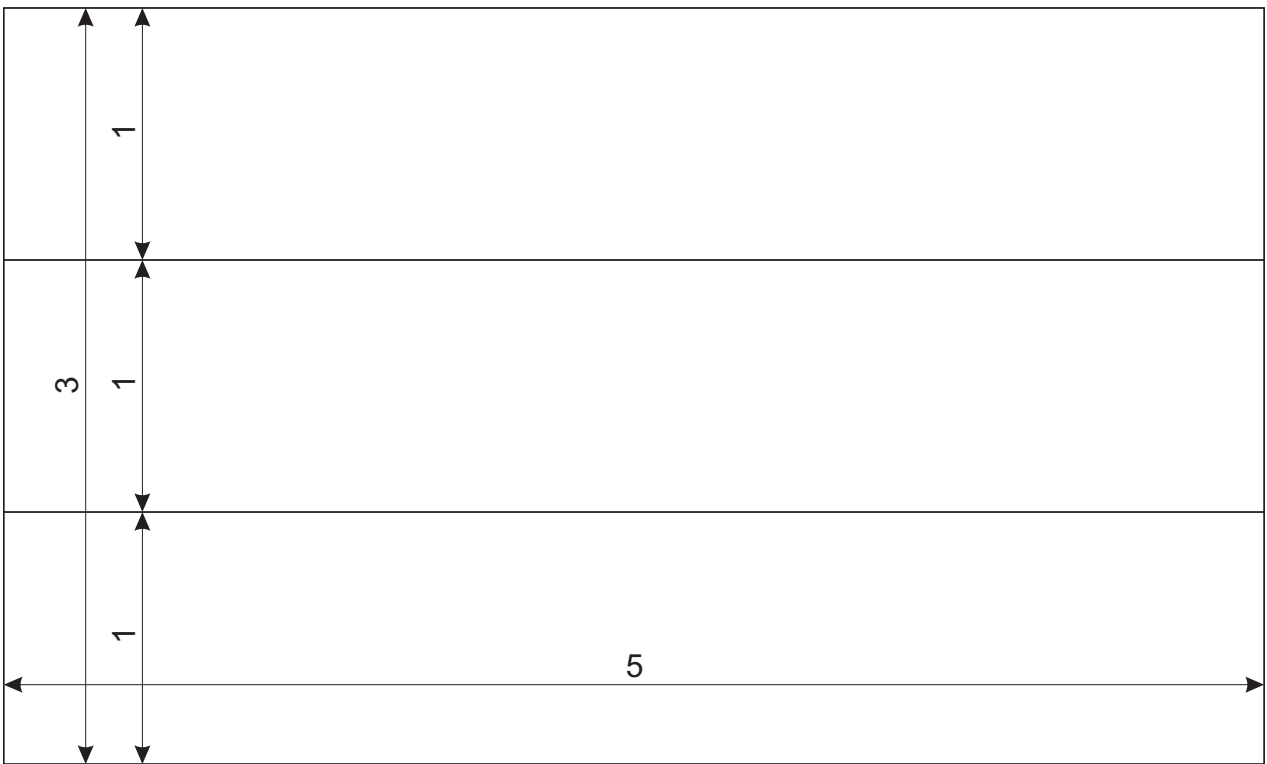
Georgia

Adopted: 2004

Sources:

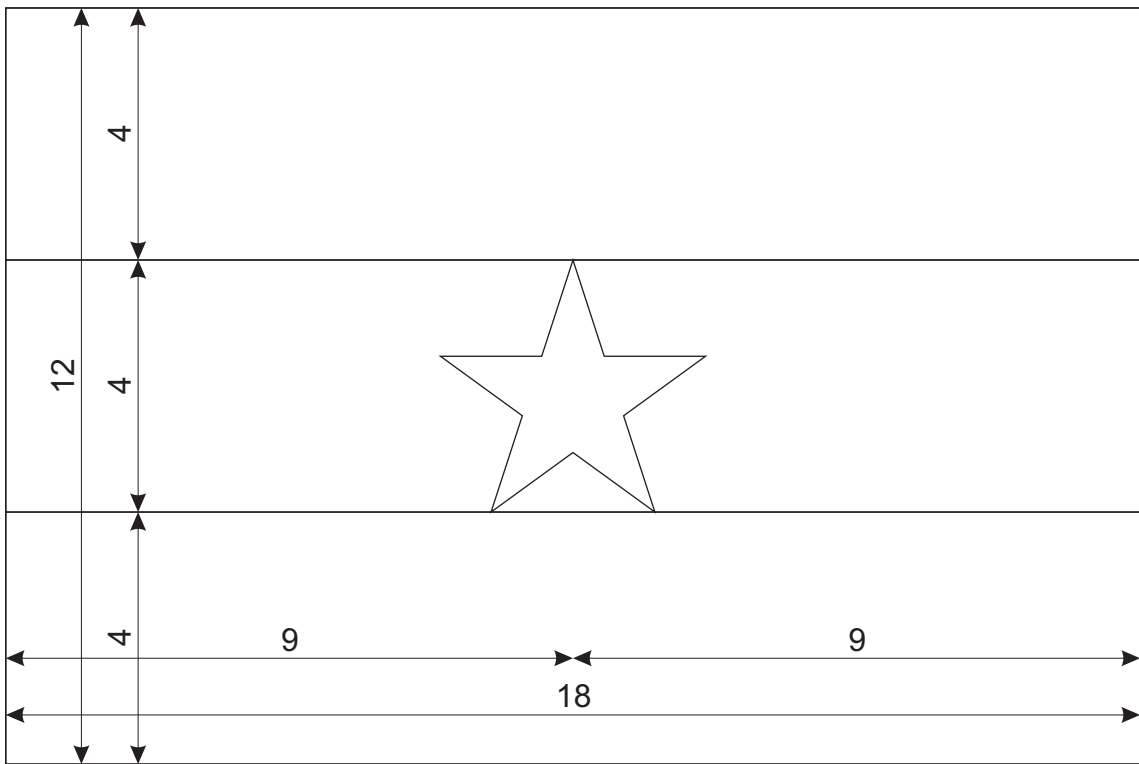
FOTW

Decree of the President of Georgia, No. 31, 25 January, 2004, City of Tbilisi, Regarding the Standard dimensions and exact construction of the national flag of Georgia



Germany

Adopted: 1949
Sources:
FOTW

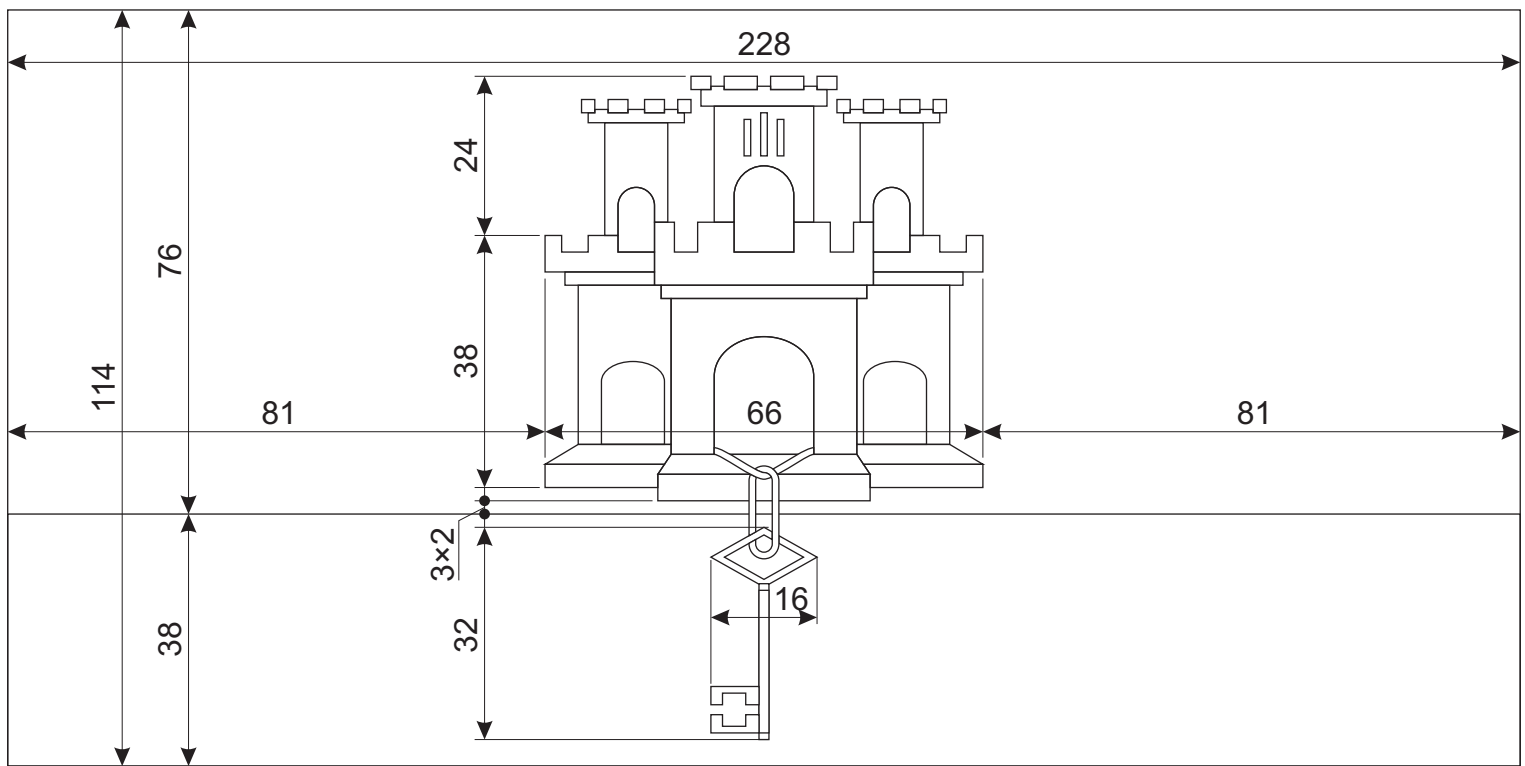


Ghana

Adopted: 1966 (1957)

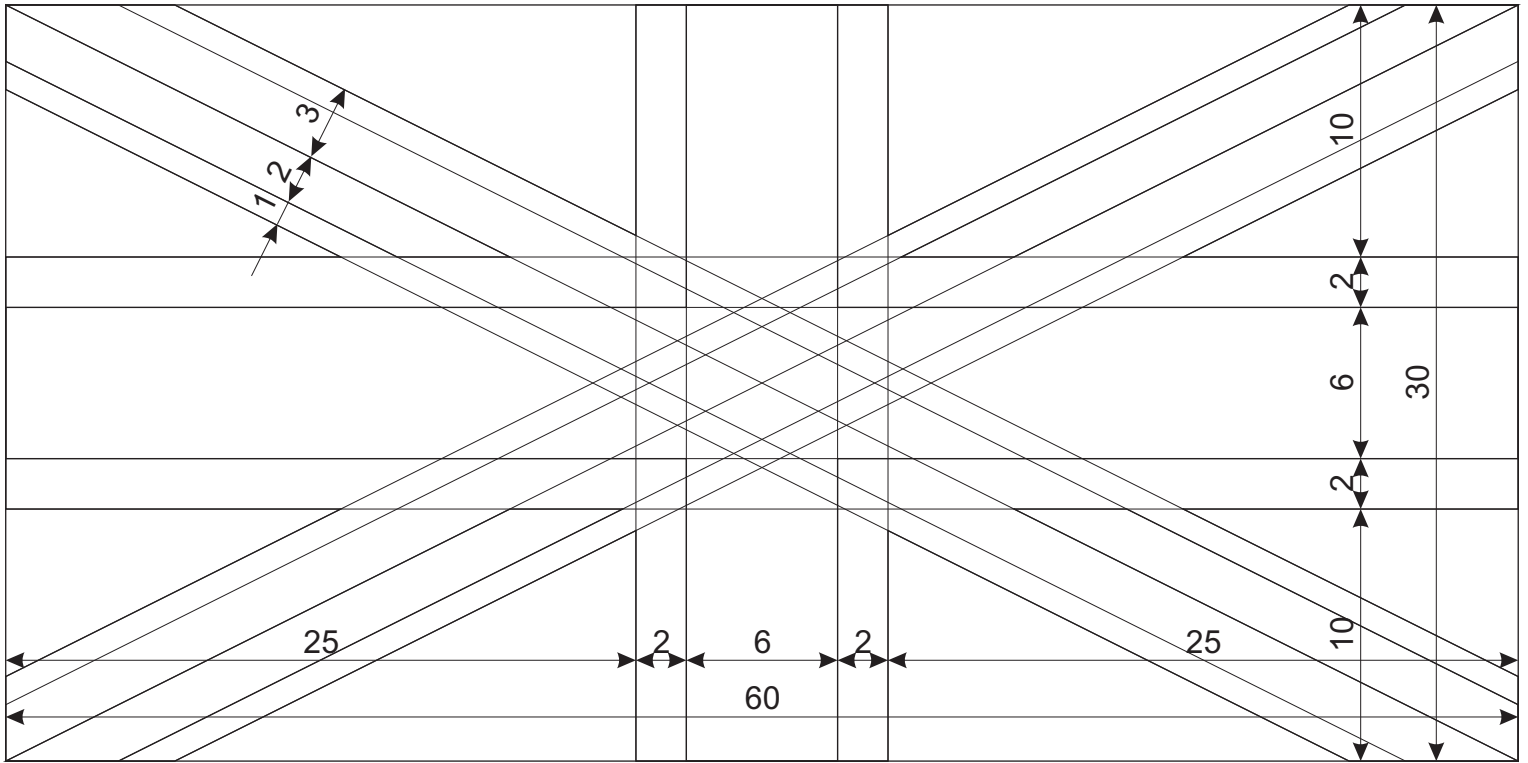
Sources:

FOTW



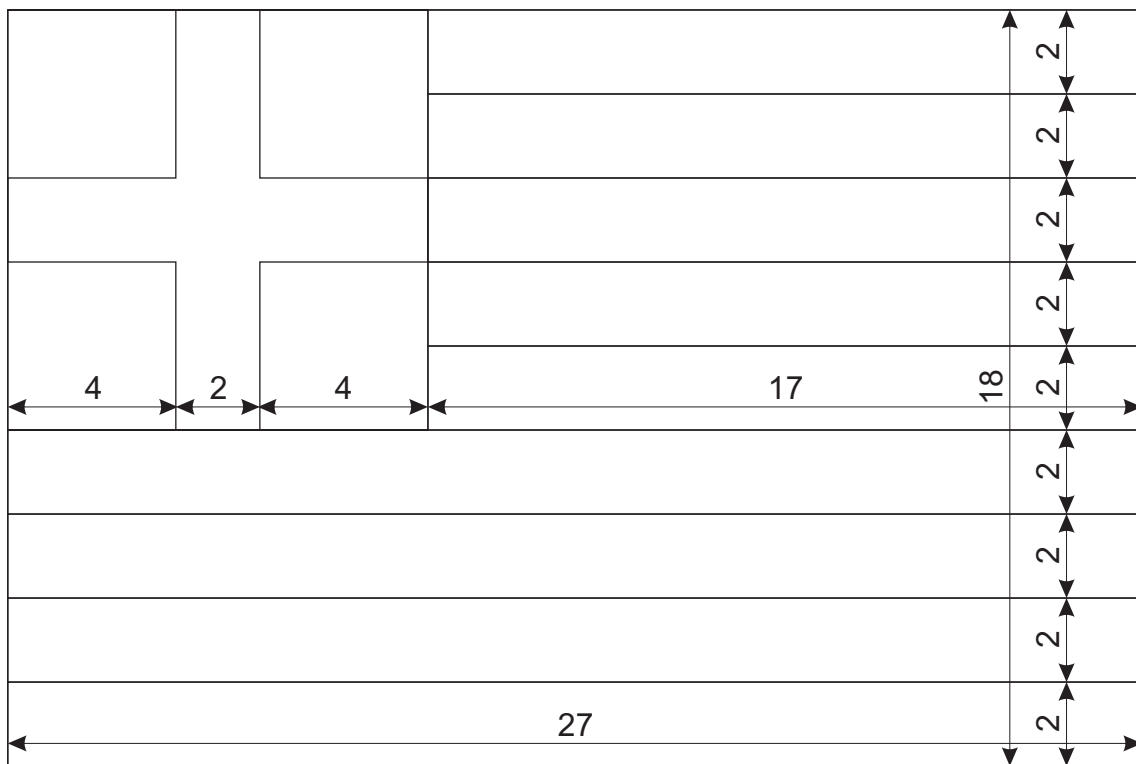
Gibraltar

Adopted: 1982
Sources:
FOTW



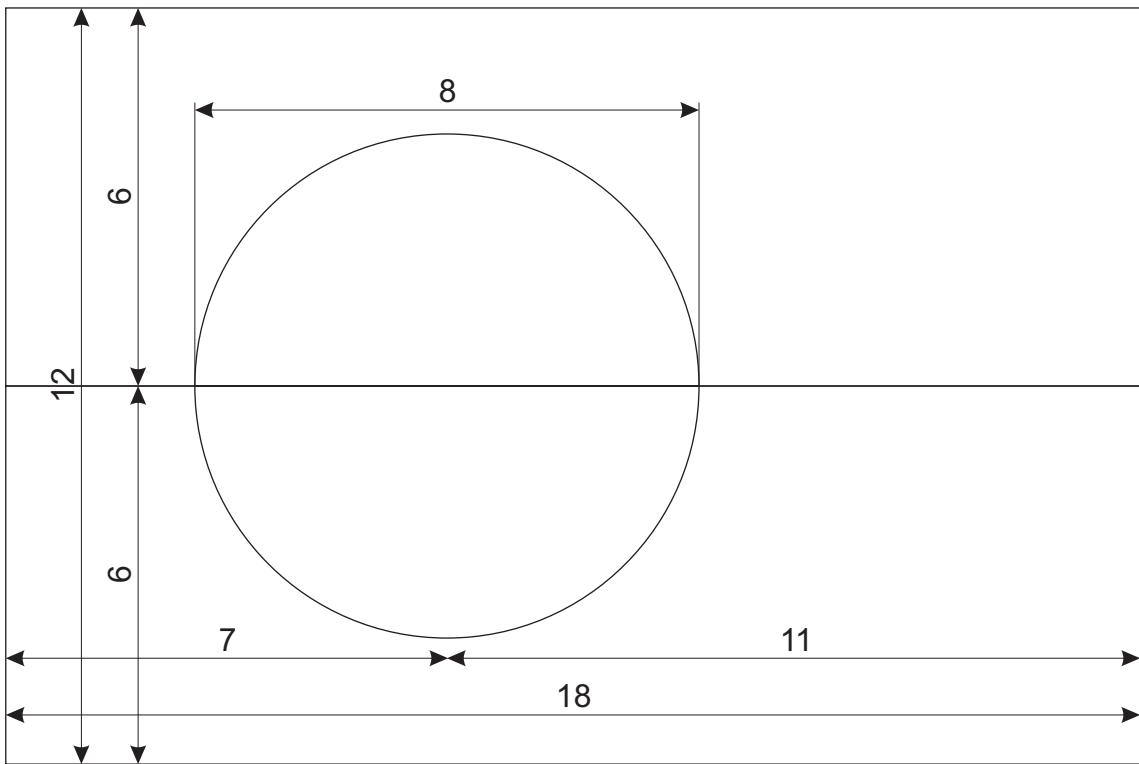
Great Britain

Adopted: 1801
 Sources:
 FOTW, BR20



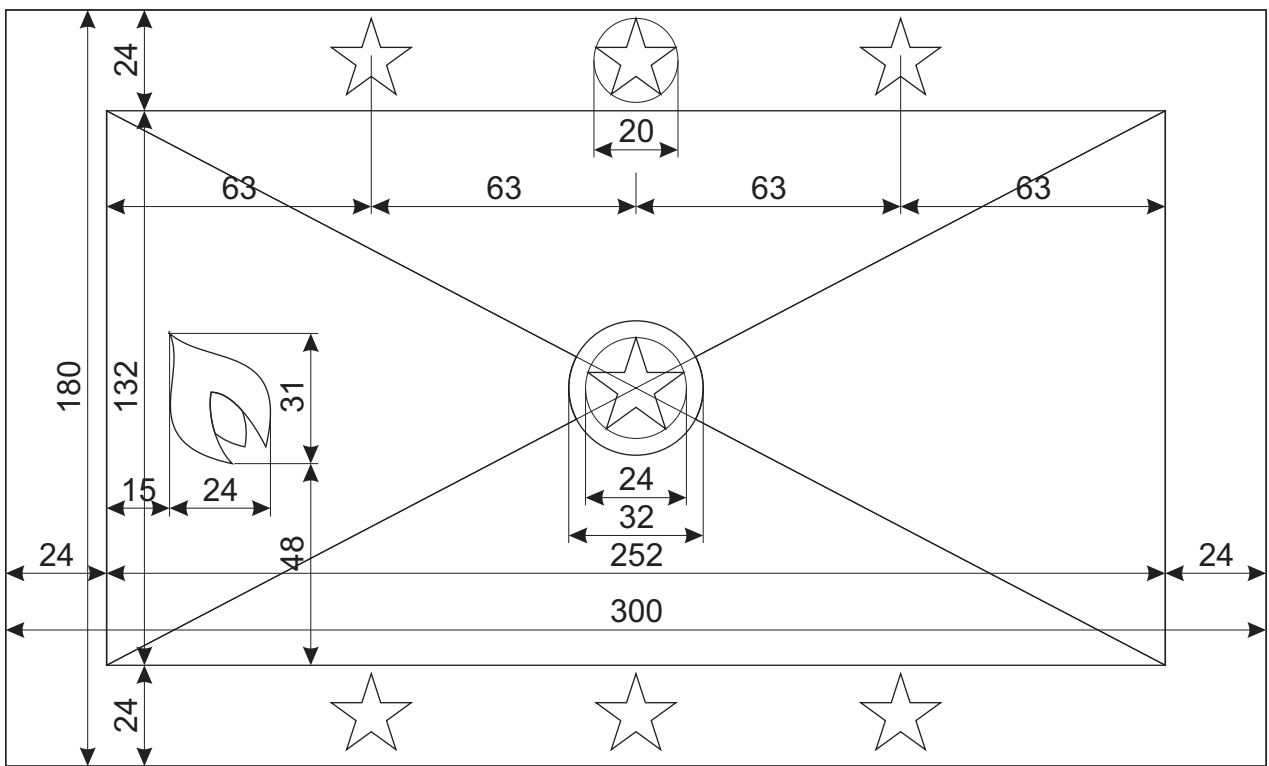
Greece

Adopted: 1978
Sources:
FOTW



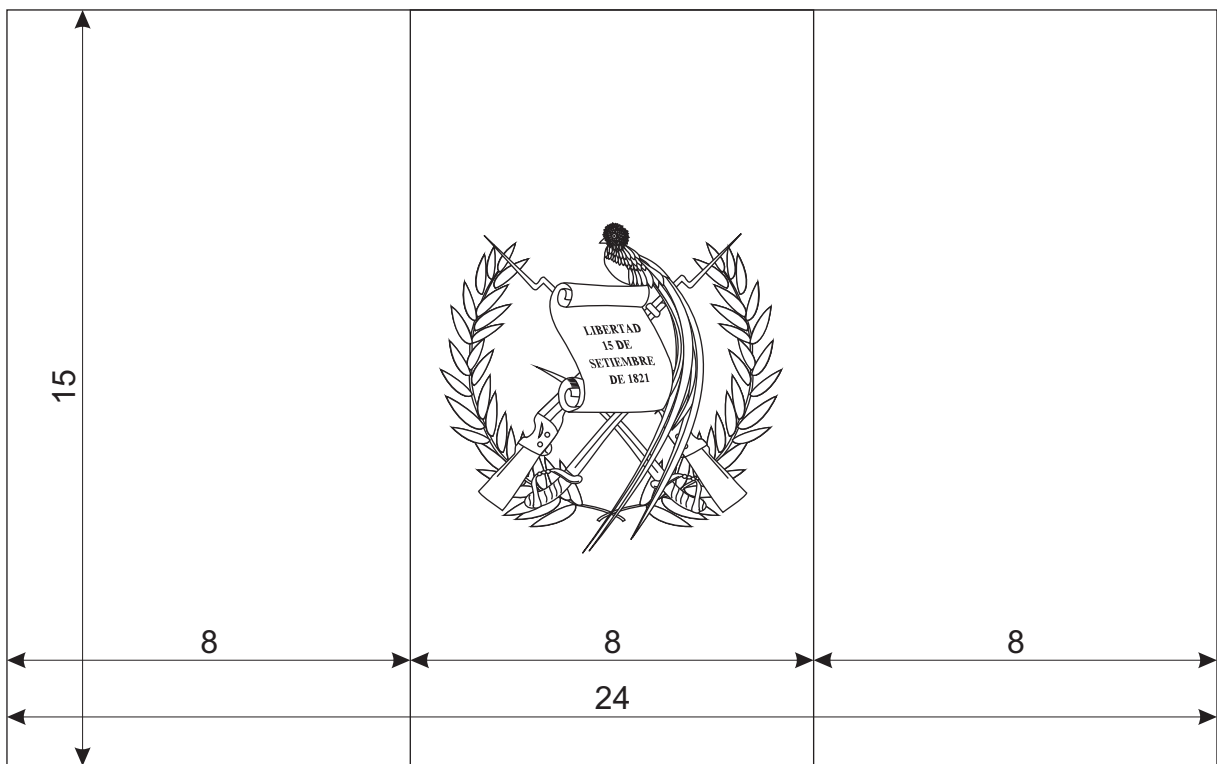
Greenland

Adopted: 1985
Sources:
FOTW



Grenada

Adopted: 1974
 Sources:
 FOTW

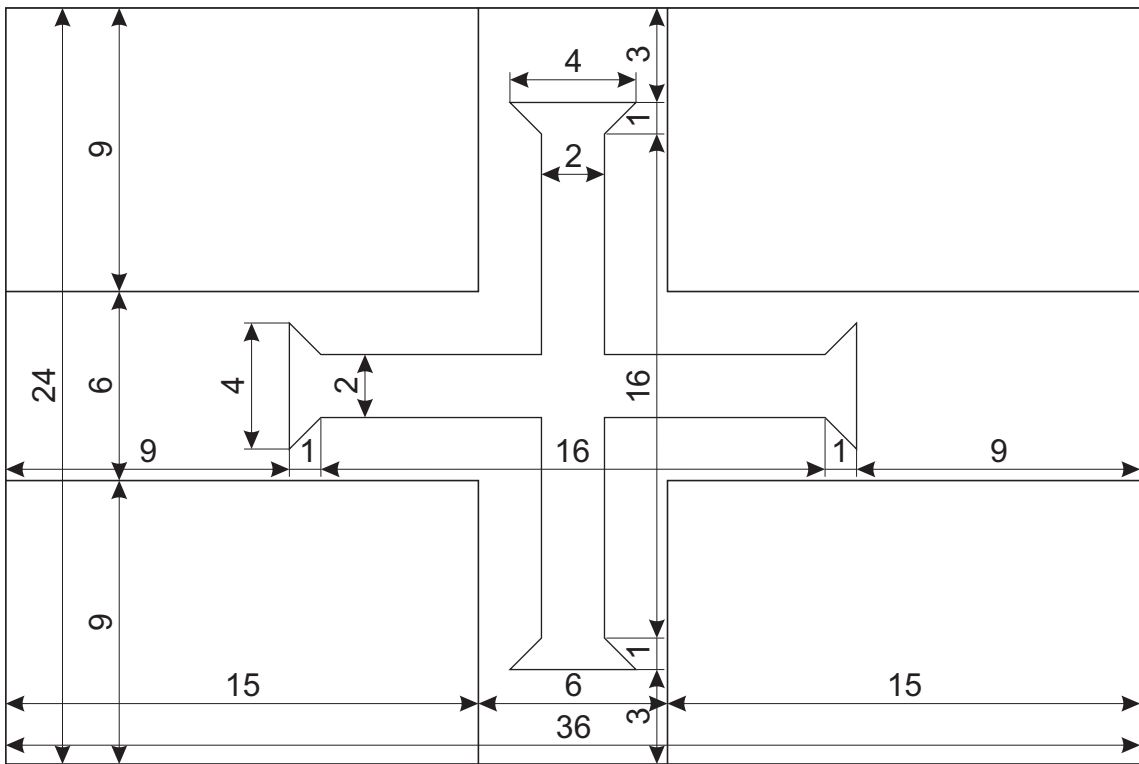


Guatemala

Adopted: 1871

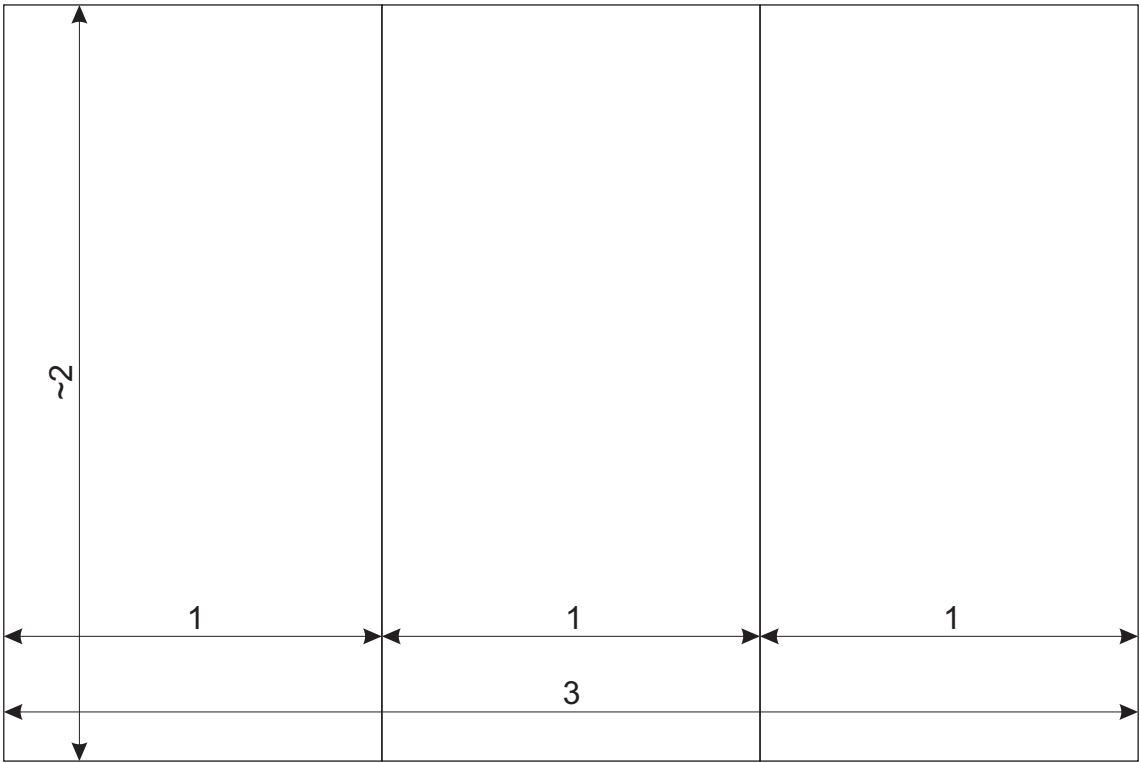
Sources:

FOTW



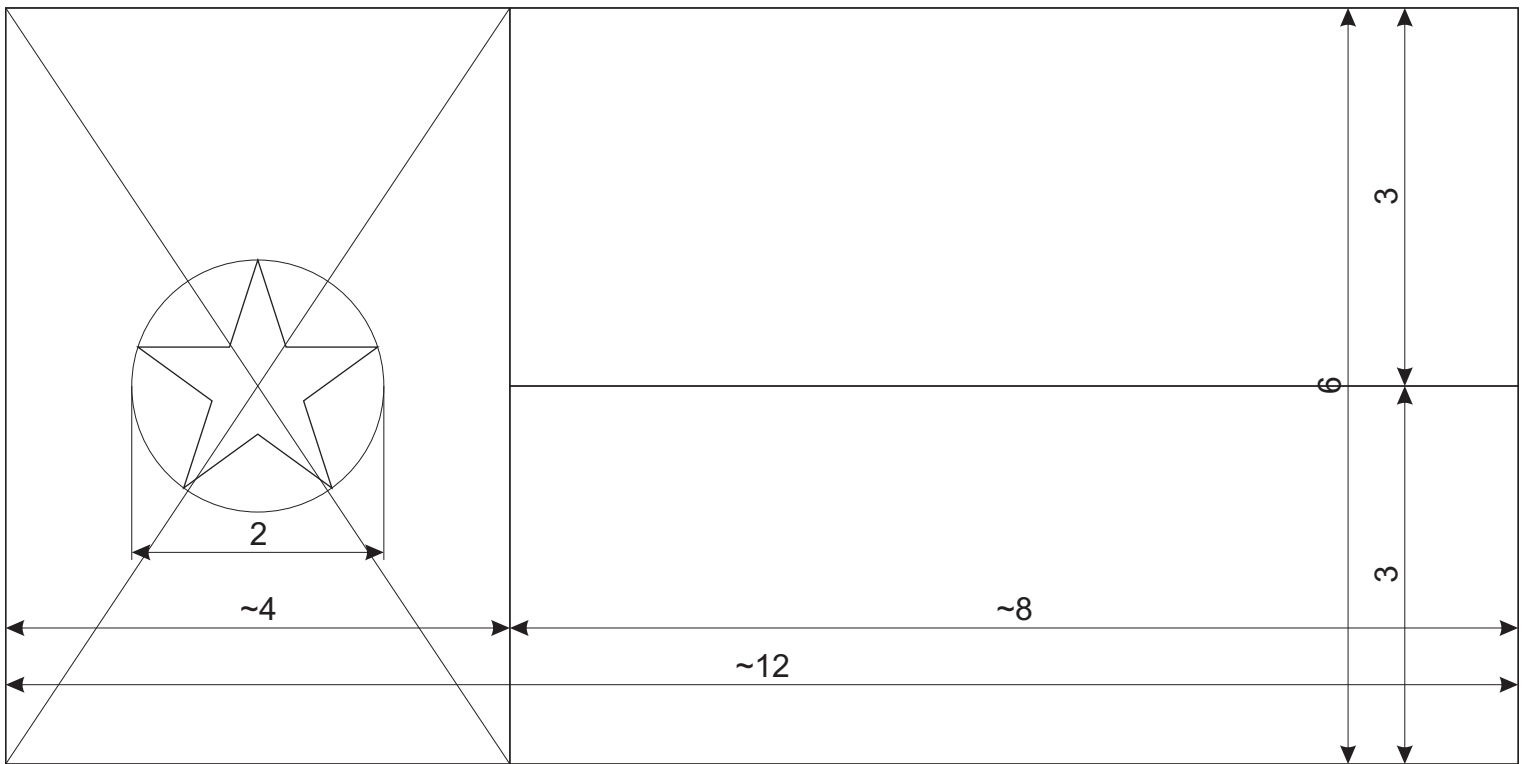
Guernsey

Adopted: 1985
 Sources:
 FOTW, BR20



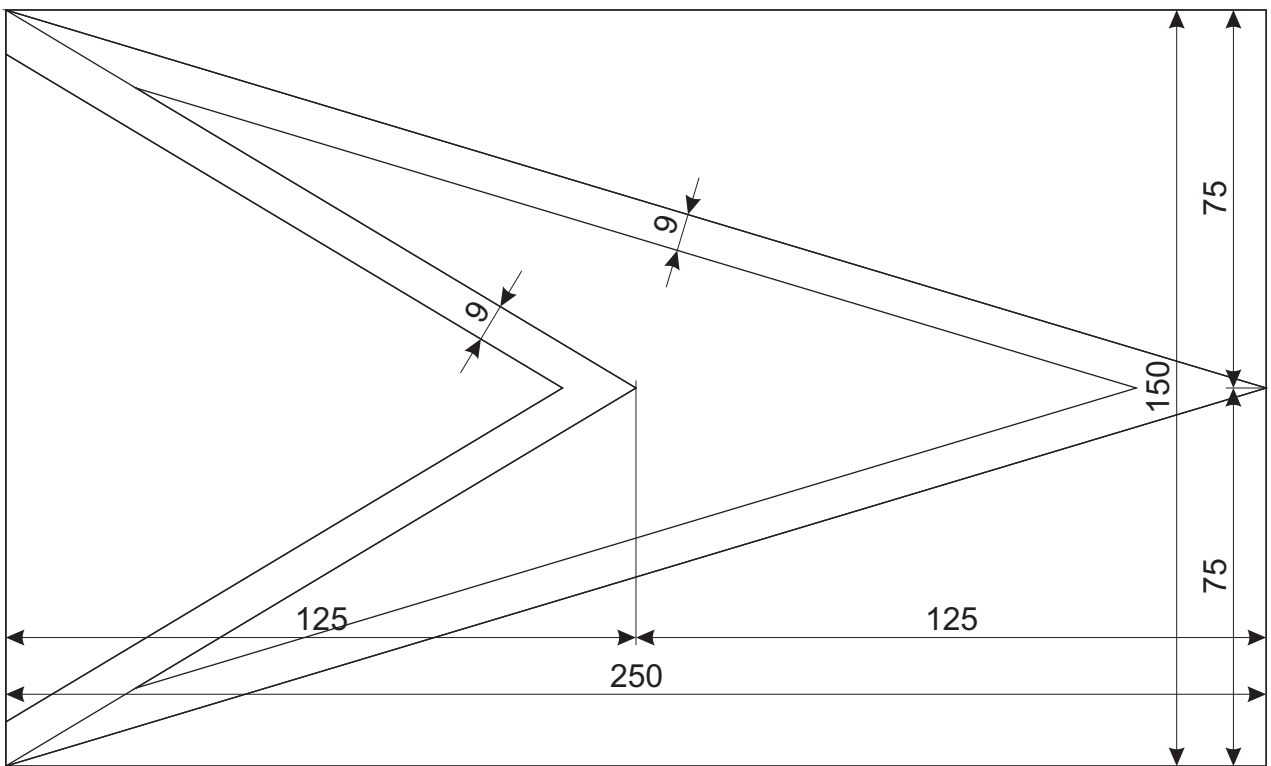
Guinea

Adopted: 1958
Sources:
FOTW



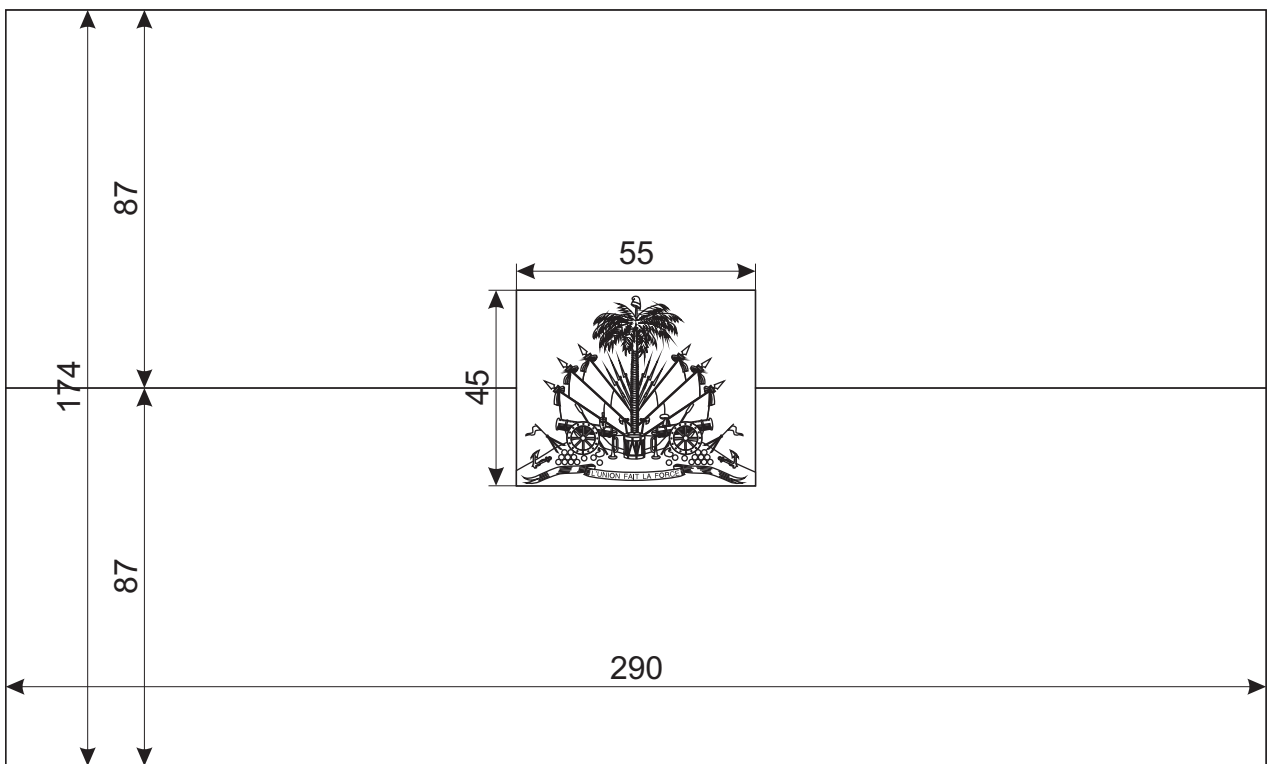
Guinea Bissau

Adopted: 1973
 Sources:
 FOTW



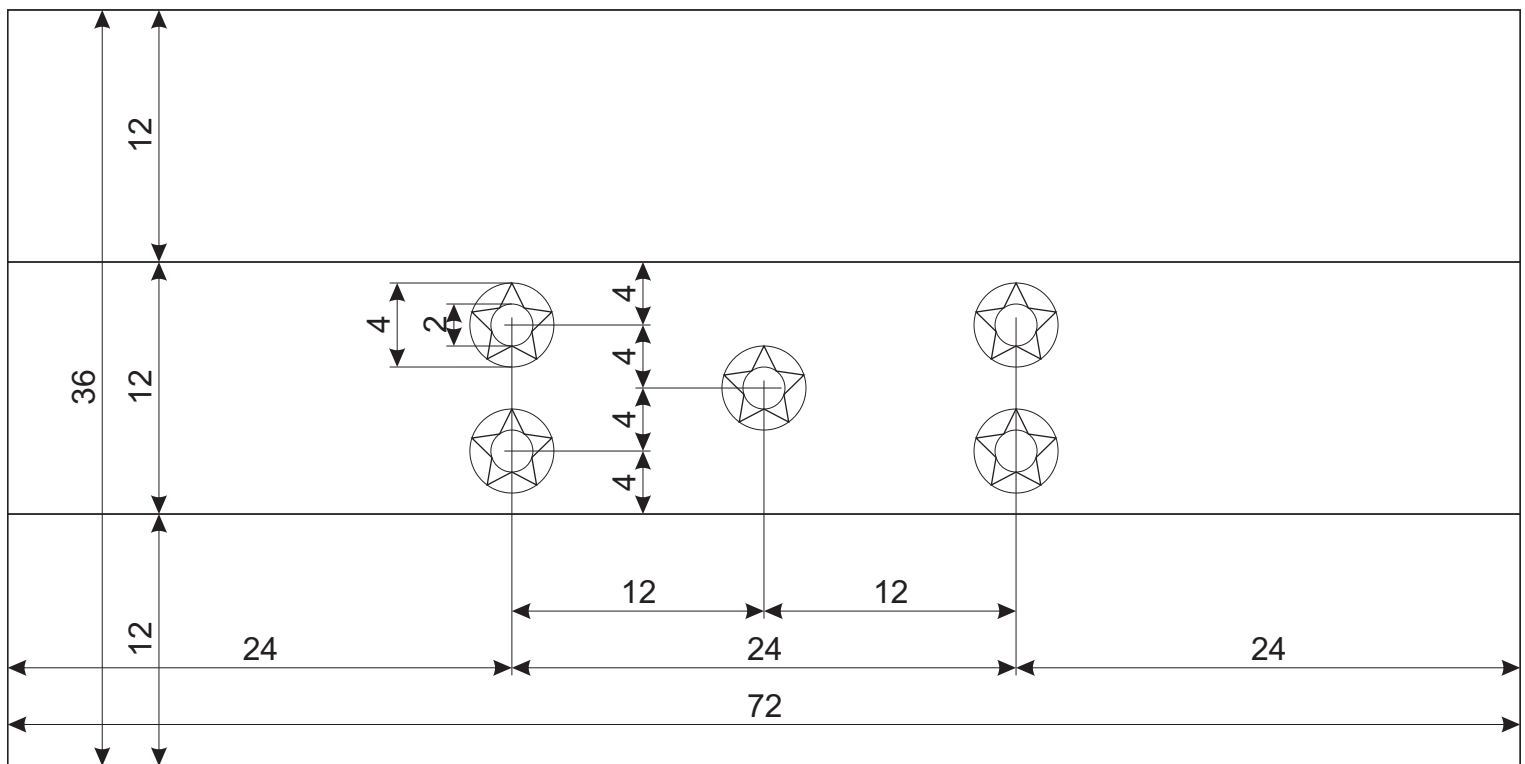
Guyana

Adopted: 1966
Sources:
FOTW



Haiti

Adopted: 1986
Sources:
FOTW

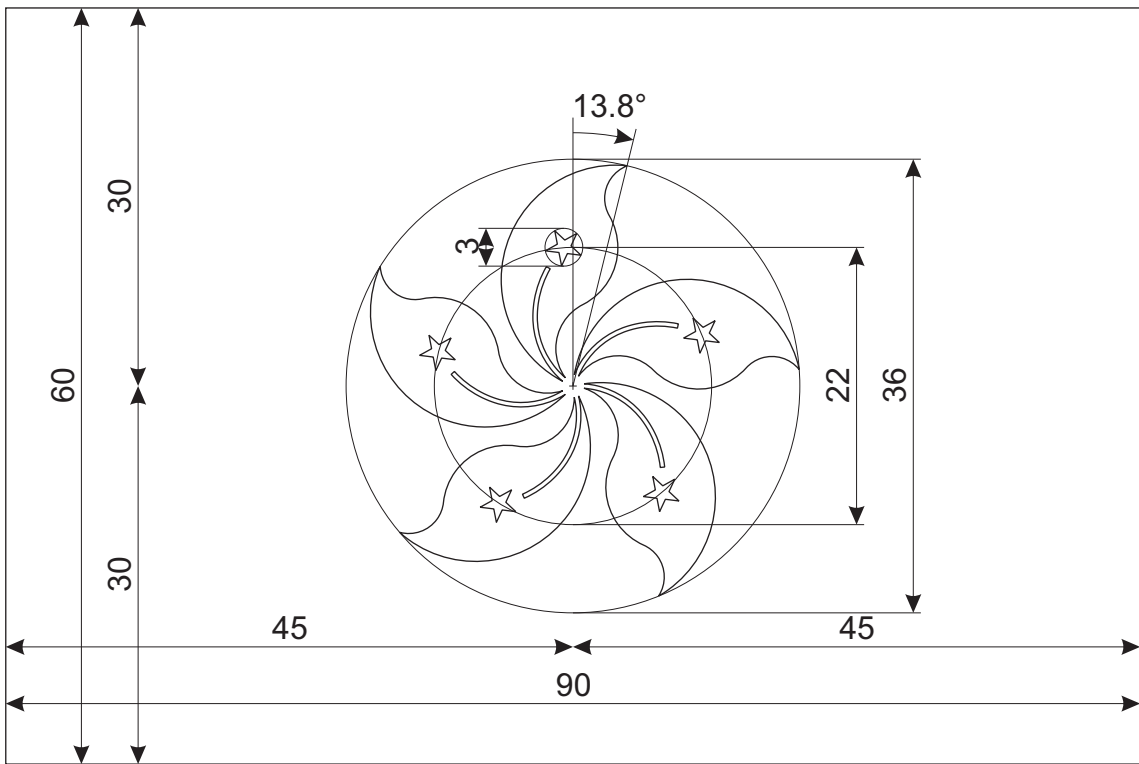


Honduras

Adopted: 1866

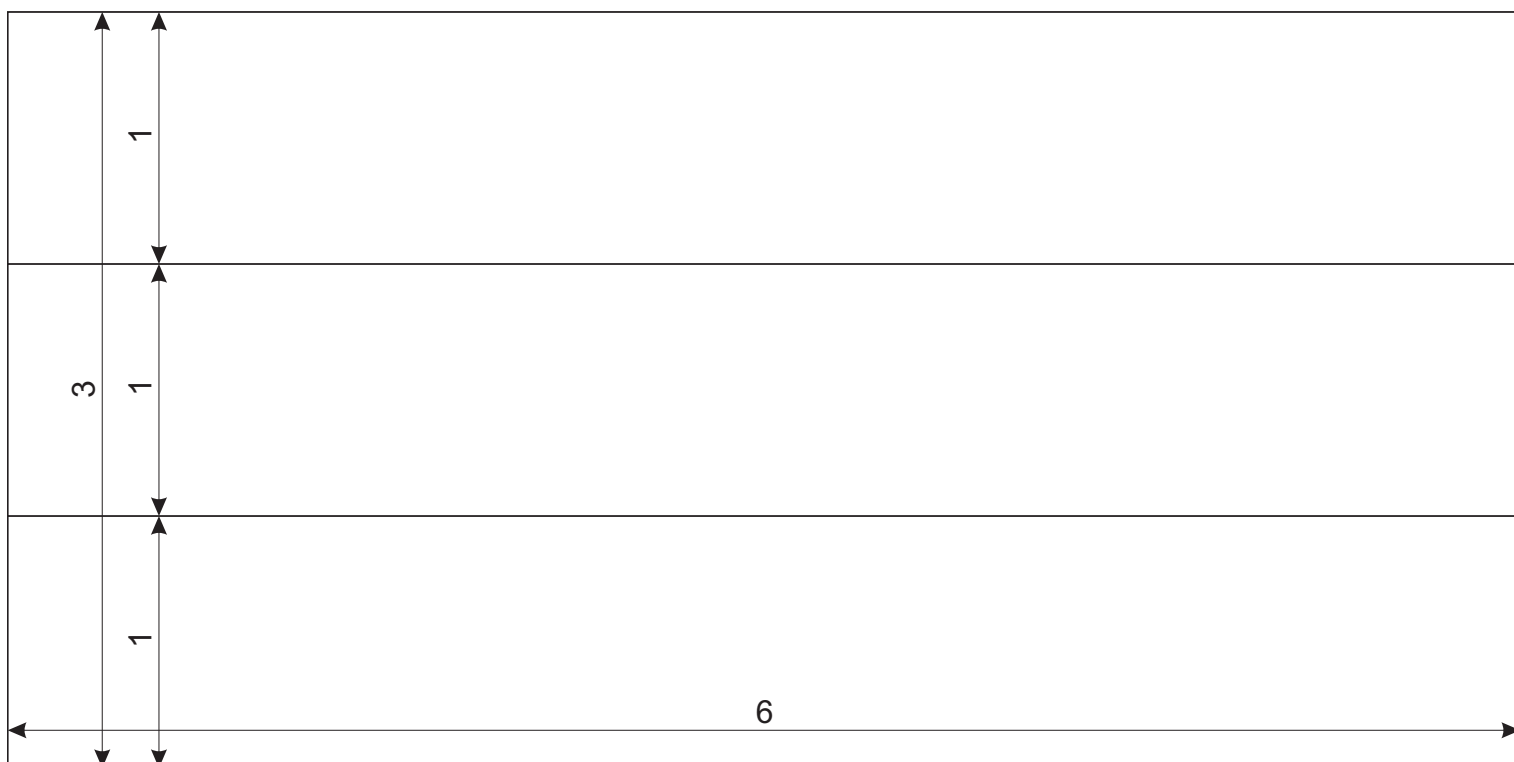
Sources:

FOTW



Hong Kong

Adopted: 1990 (1997)
Sources:
FOTW



Hungary

Adopted: 1957

Sources: FOTW, FAME

1949. évi XX. törvény A Magyar Köztársaság Alkotmánya (Constitution of the Republic of Hungary)

1990. évi XL. törvény 50. §. (Amendments to the Constitution regarding the flag)

1990. évi XLIV. törvény 1. §. (Amendments to the Constitution regarding the coat of arms)

1995. évi LXXXIII. törvény a Magyar Köztársaság nemzeti jelképeinek és a Magyar Köztársaságra utaló elnevezésnek a használatáról (Law on national symbols) <http://www.complex.hu/kzldat/t9500083.htm/t9500083.htm>

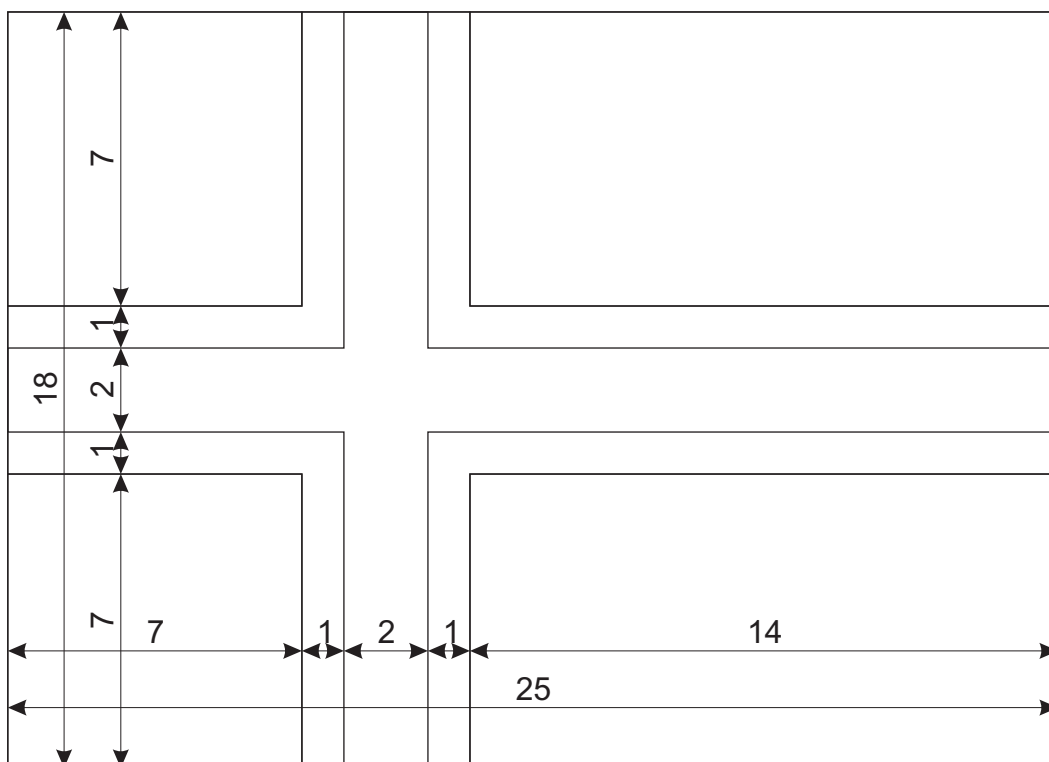
1995. évi LXXXIII. törvény indokolása a Magyar Köztársaság nemzeti jelképeinek és a Magyar Köztársaságra utaló elnevezésnek a használatáról (Explanation of the Law on national symbols)

2000. évi XXXVIII. törvény a Magyar Köztársaság nemzeti jelképeinek és a Magyar Köztársaságra utaló elnevezésnek a használatáról szóló 1995. évi LXXXIII. törvény módosításáról (Amendments to 1995 Law)

<http://www.complex.hu/kzldat/t0000038.htm/t0000038.htm>

132/2000. (VII. 14.) Korm. rendelet a középületek fellobogóztatásának egyes kérdéseiről (Government decree)

<http://www.konfoderaciok.hu/8/8.2/8.2.2/122-1006a.htm>



Iceland

Adopted: 1944

Sources:

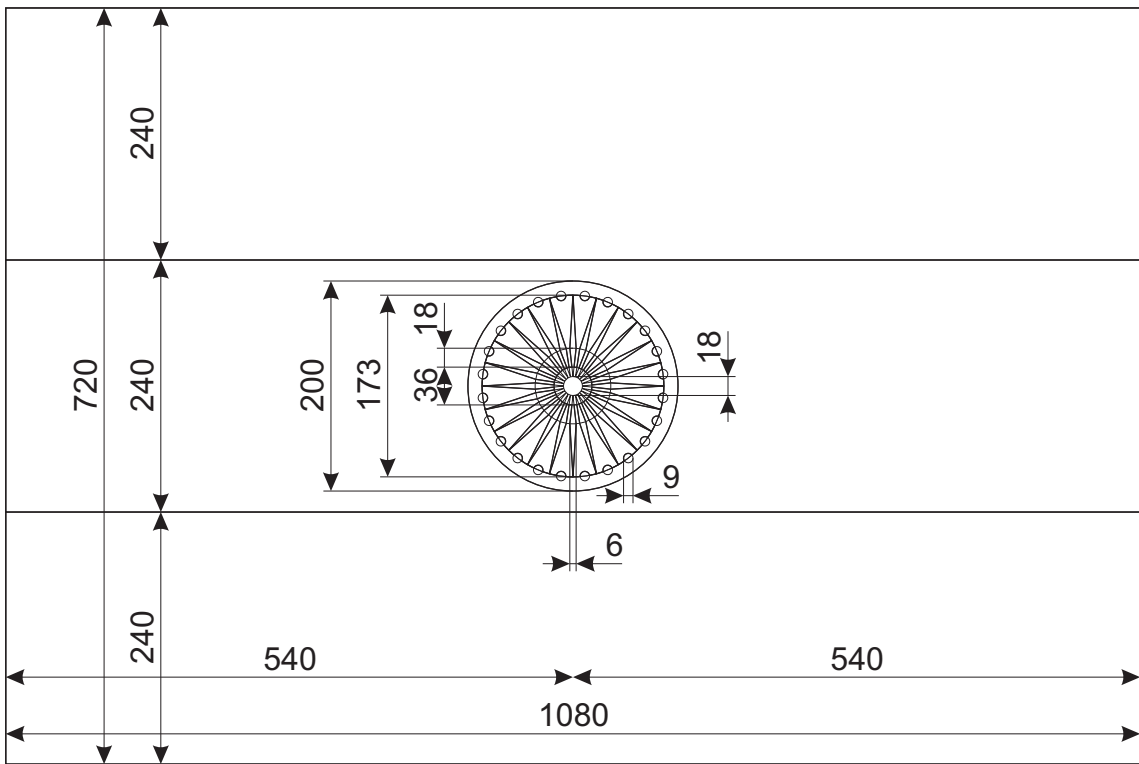
FOTW

Lög um þjóðfána Íslendinga og ríkisskjaldarmerkið. (1944 nr. 34 17. júní).

Lög um breyting á lögum nr. 34 17. júní 1944, um þjóðfána Íslendinga. (1998 nr. 67 12. júní).

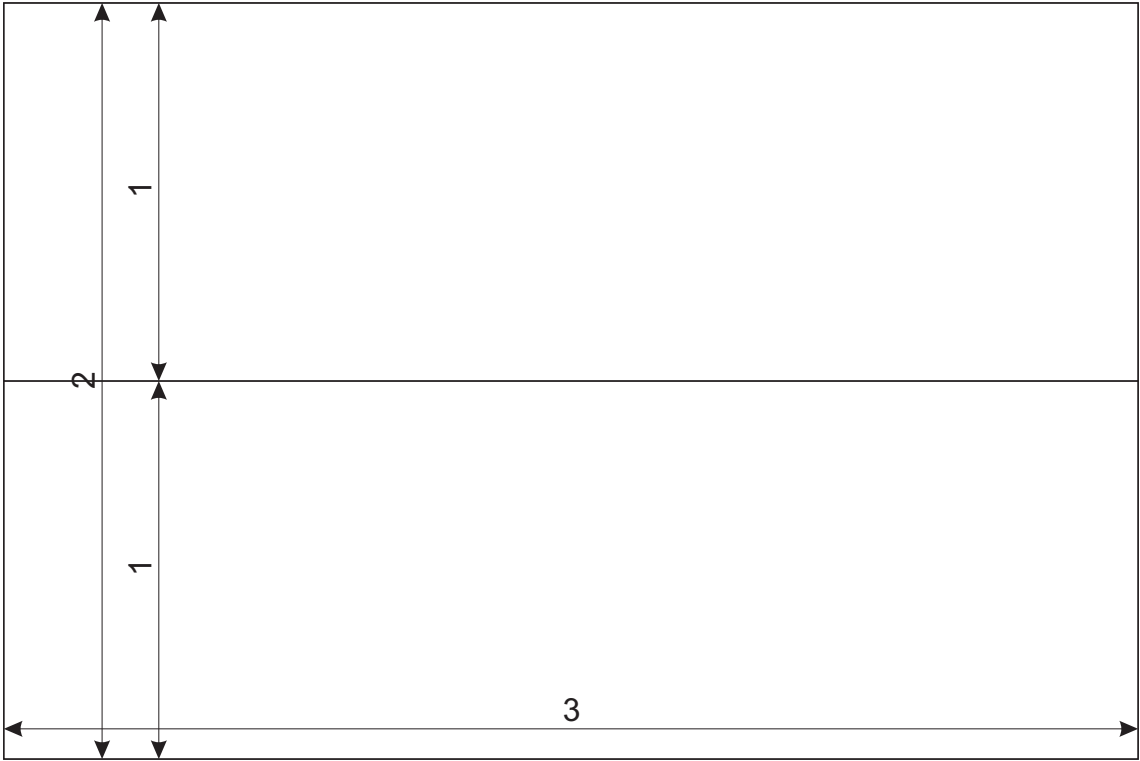
Auglýsing um liti íslenska fánans (1991 nr. 6 23. janúar).

Forsetaúrskurður um fánadaga og fánatíma (1991 nr. 5 23. janúar).



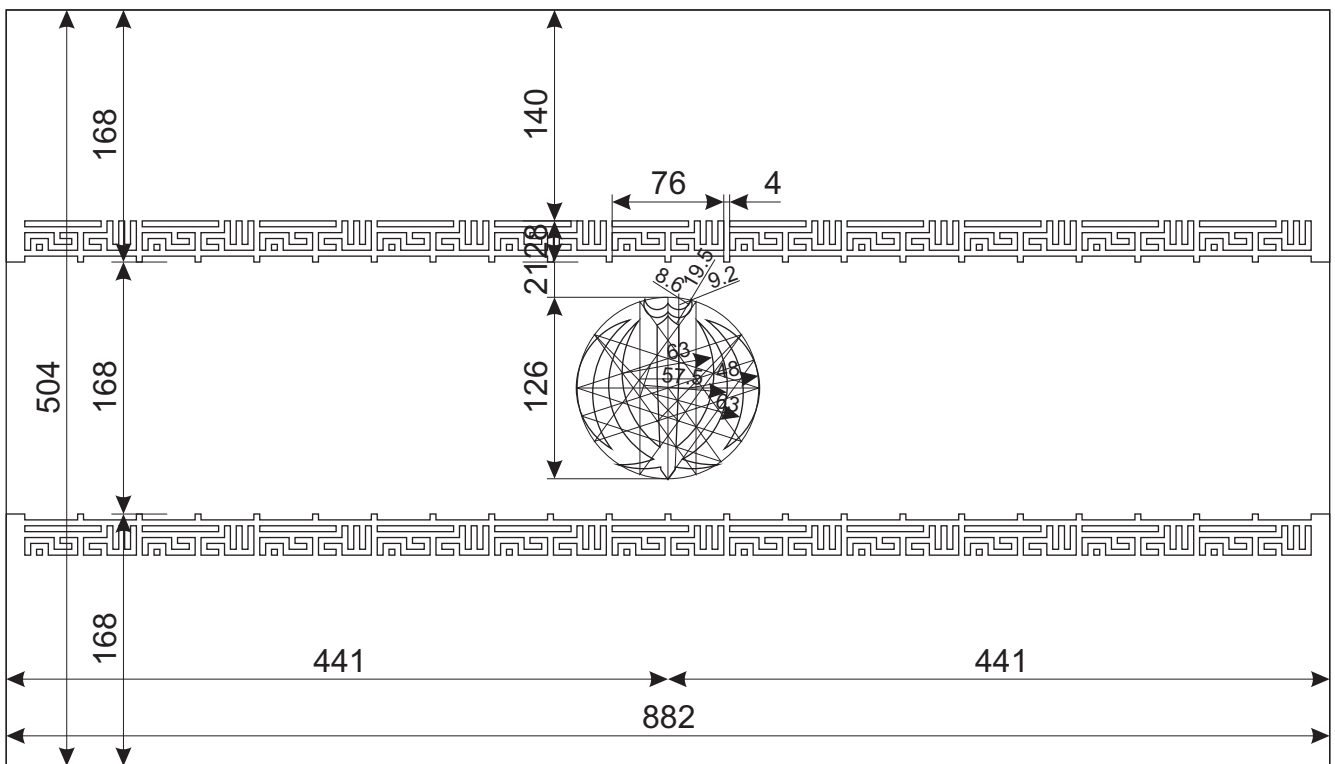
India

Adopted: 1947
 Sources:
 FOTW



Indonesia

Adopted: 1945
Sources:
FOTW



Iran

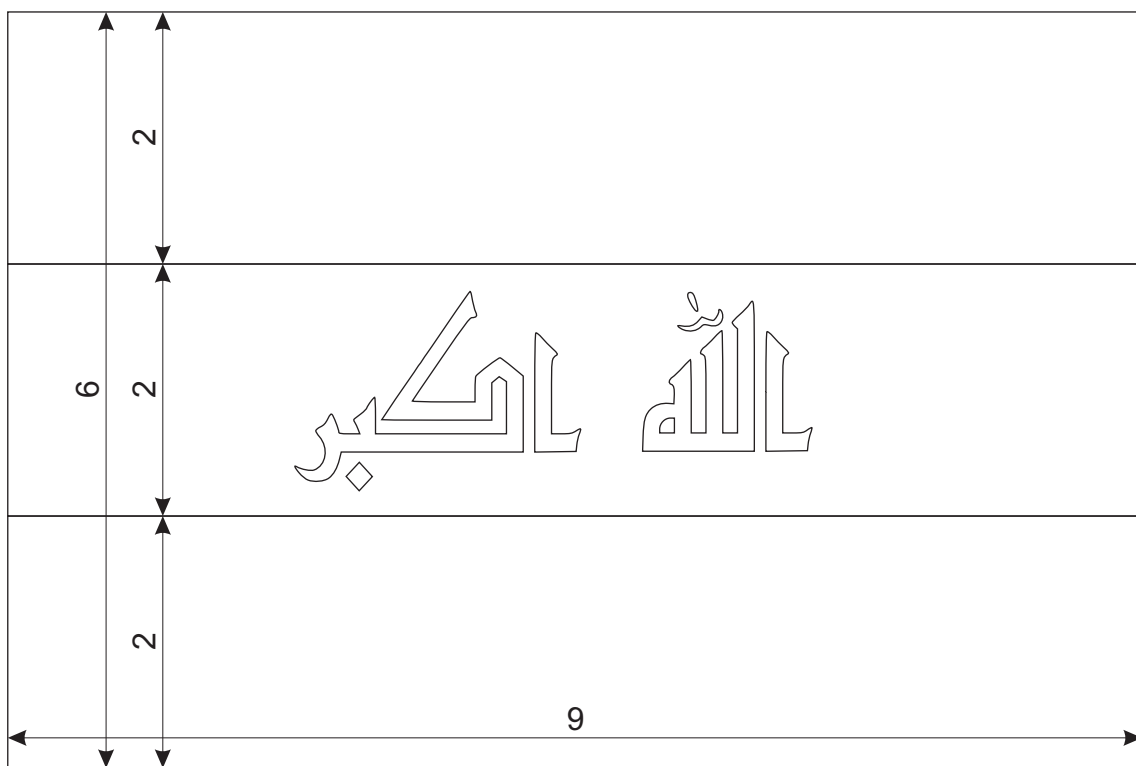
Adopted: 1980

Sources:

FOTW

IRANIAN ISLAMIC REPUBLIC FLAG, ISIRI 1 (3rd edition), Institute of Standards and Industrial Research of Iran, March 1993, <http://www.isiri.org/portal/files/std/1.htm>

The flag of Islamic Republic of Iran - Specifications, ISIRI 1 (1st revision), Institute of Standards and Industrial Research of Iran, <http://www.isiri.org/portal/files/std/1.pdf>

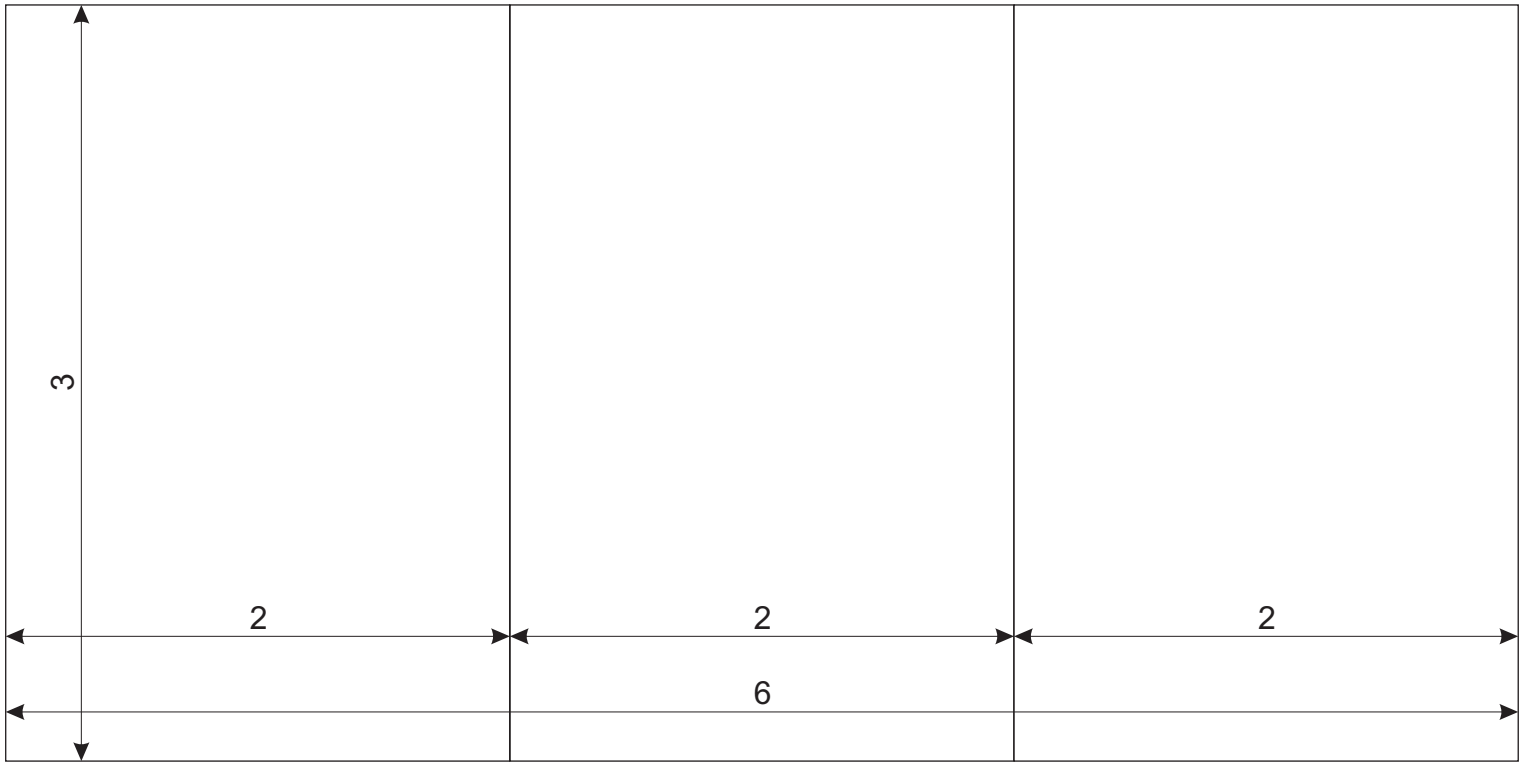


Iraq

Adopted: 2008

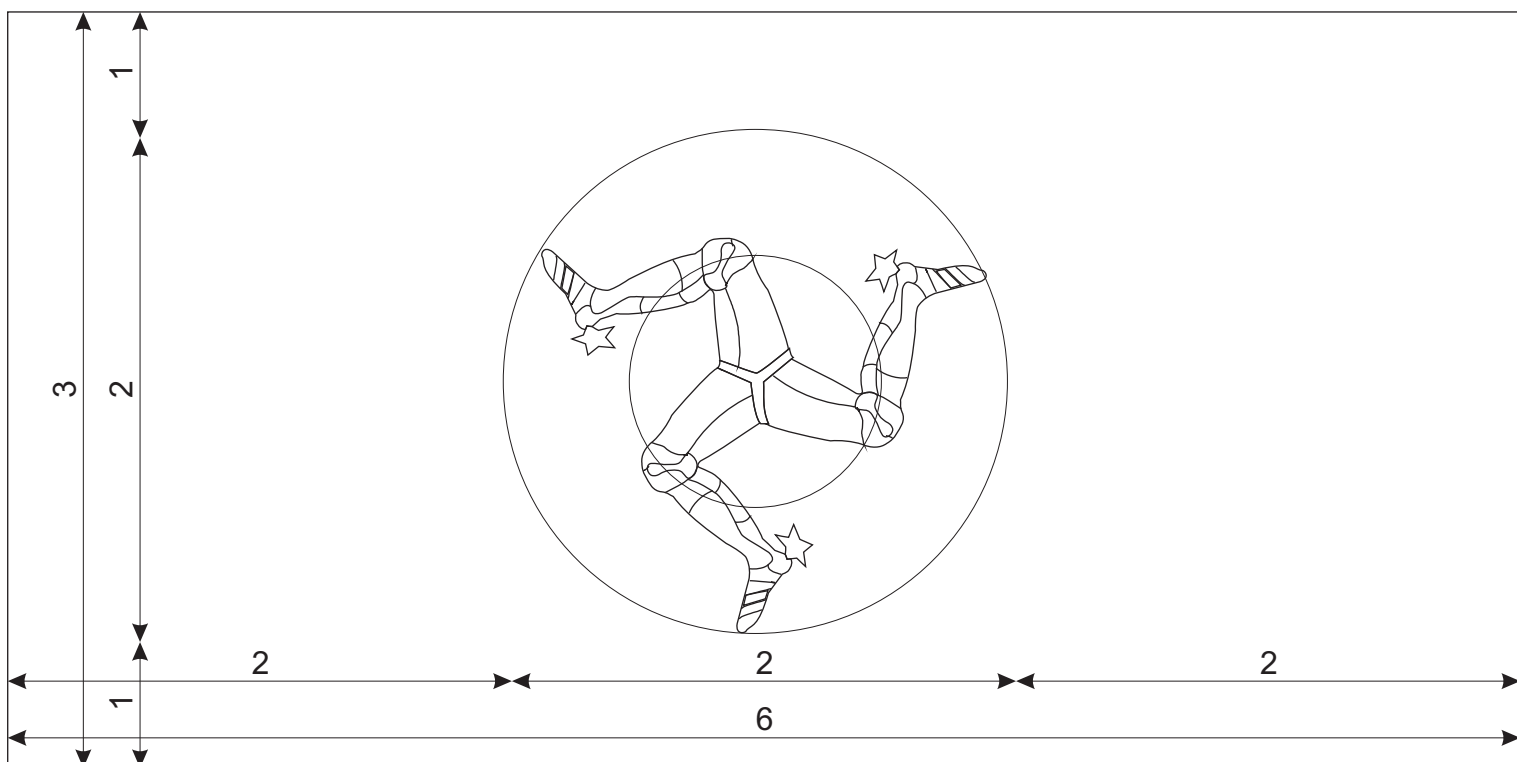
Sources:

FOTW



Ireland

Adopted: 1937
Sources:
FOTW

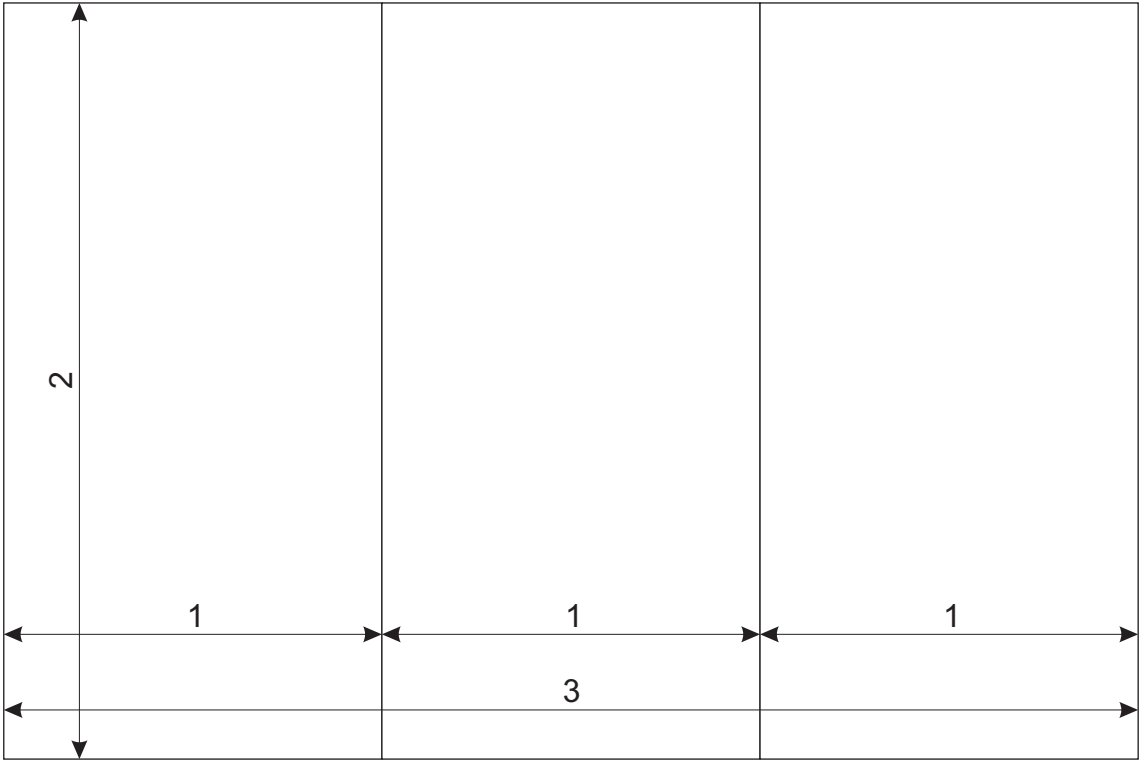


Isle of Man

Adopted: 1931

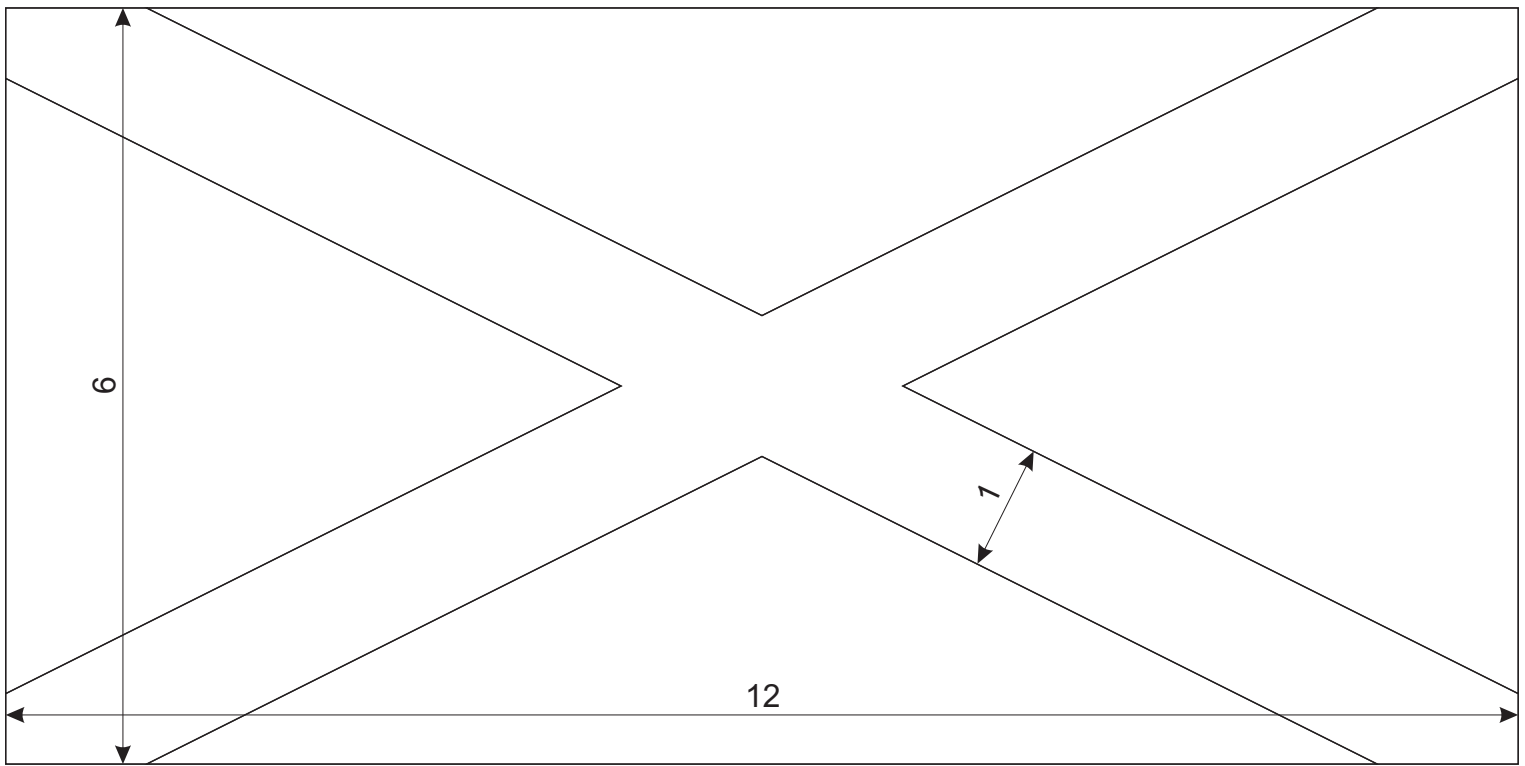
Sources:

FOTW



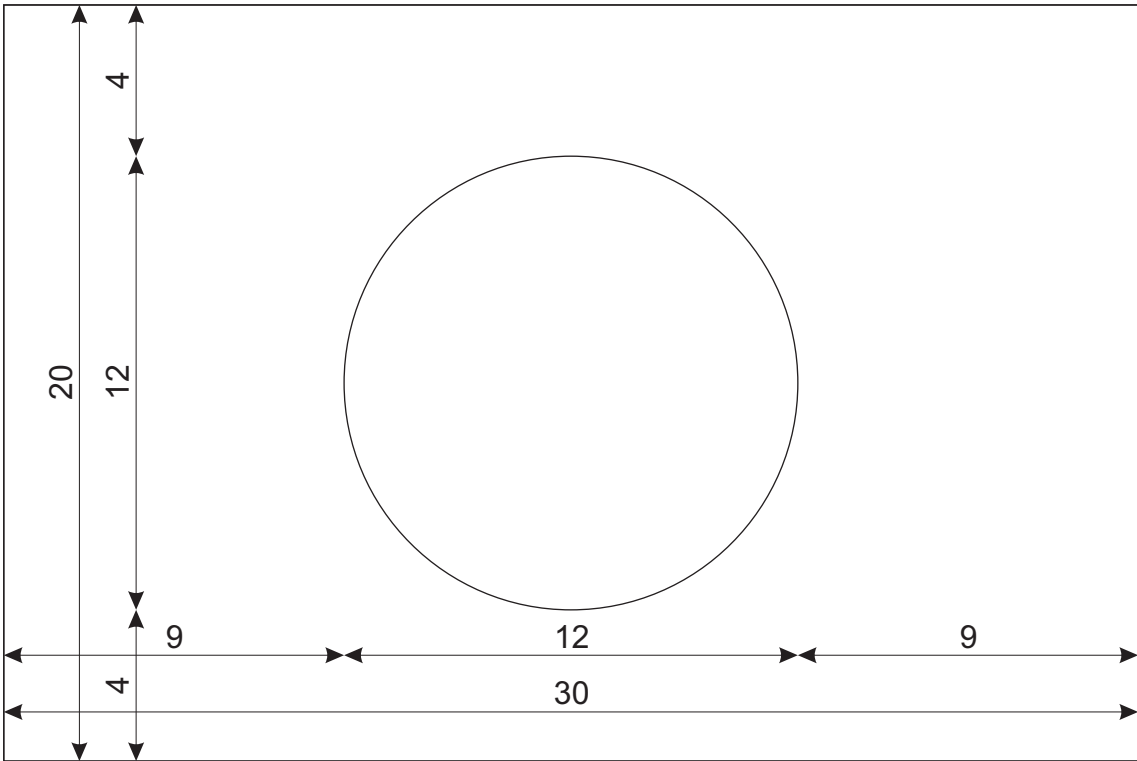
Italy

Adopted: 1948
Sources:
FOTW



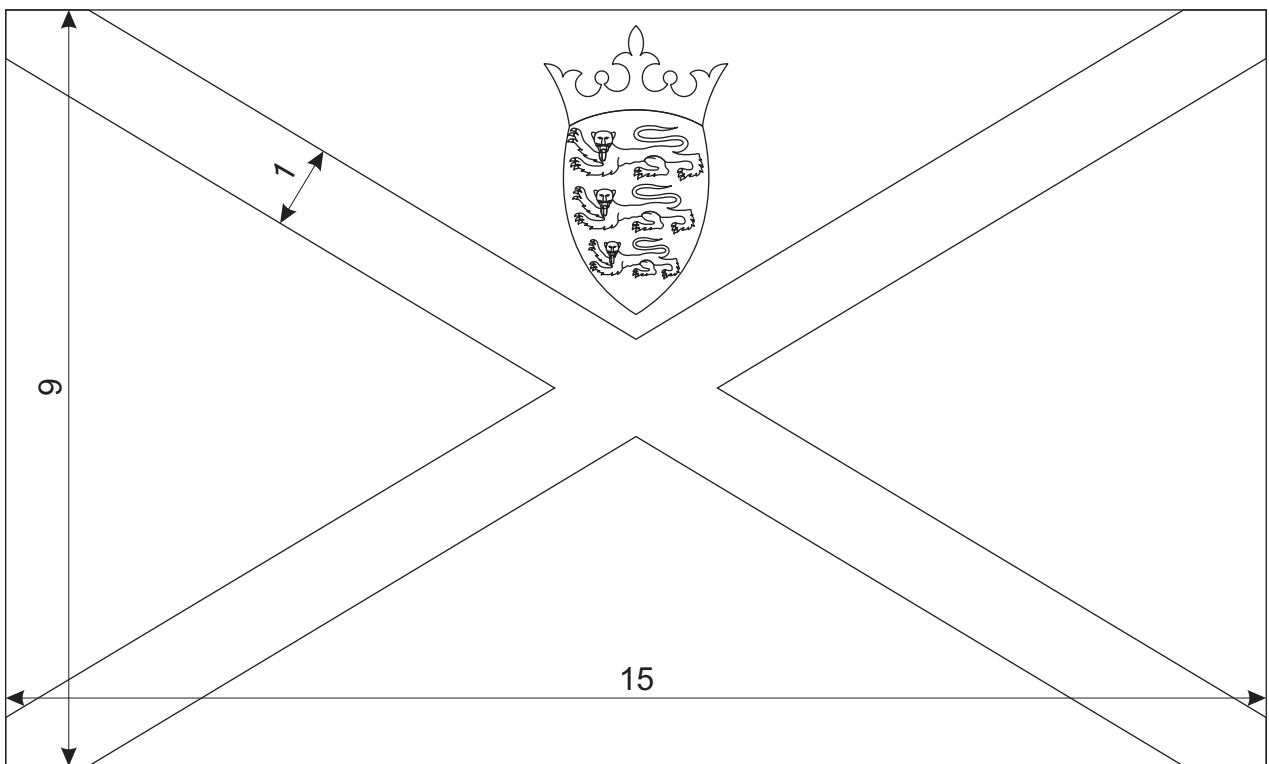
Jamaica

Adopted: 1962
Sources:
FOTW



Japan

Adopted: 1999
Sources:
FOTW



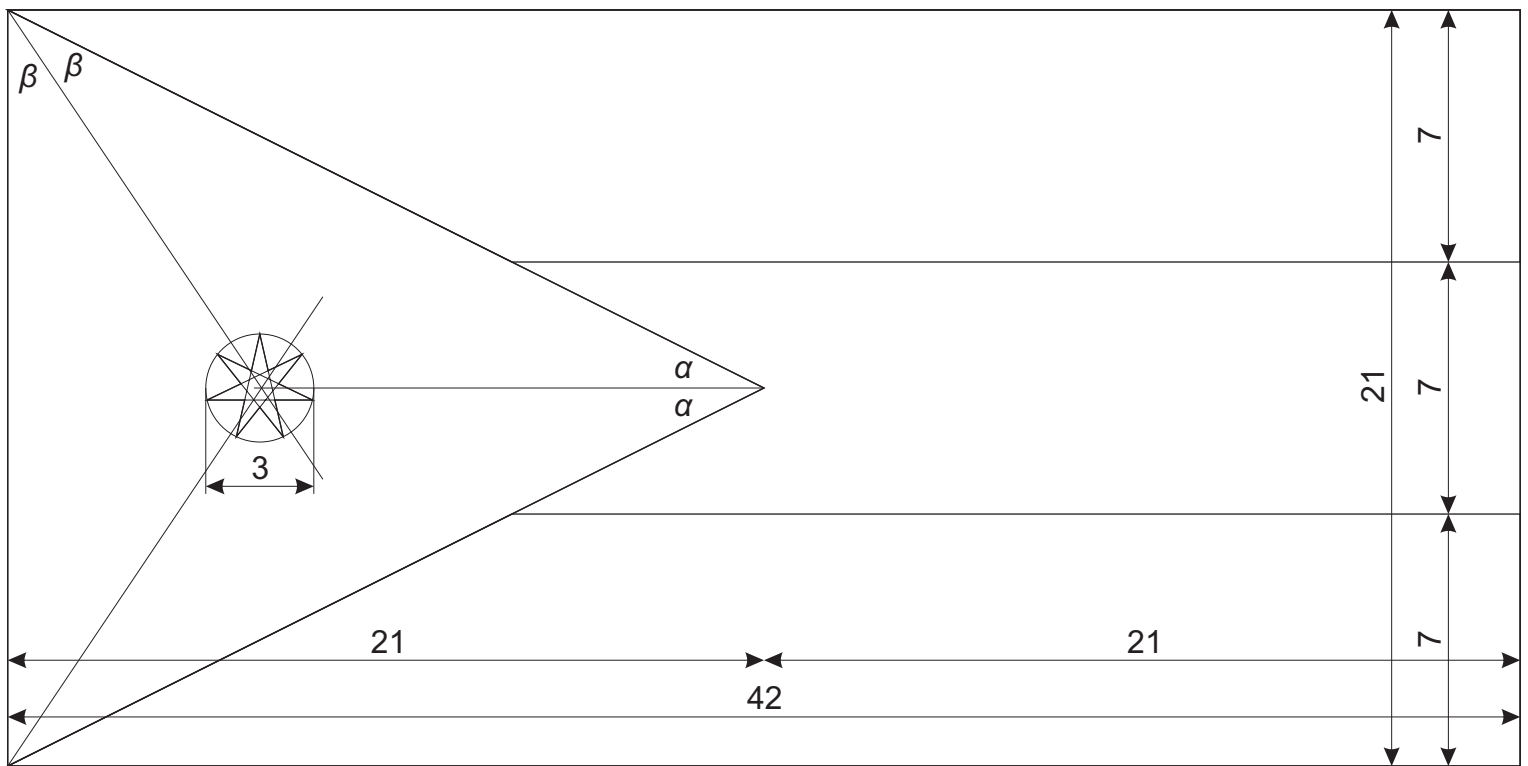
Jersey

Adopted: 1981

Sources:

FOTW, WFD, BR20

* not quite satisfied with the lions and shield above alltogether...



Jordan

Adopted: 1928

Sources:

FOTW

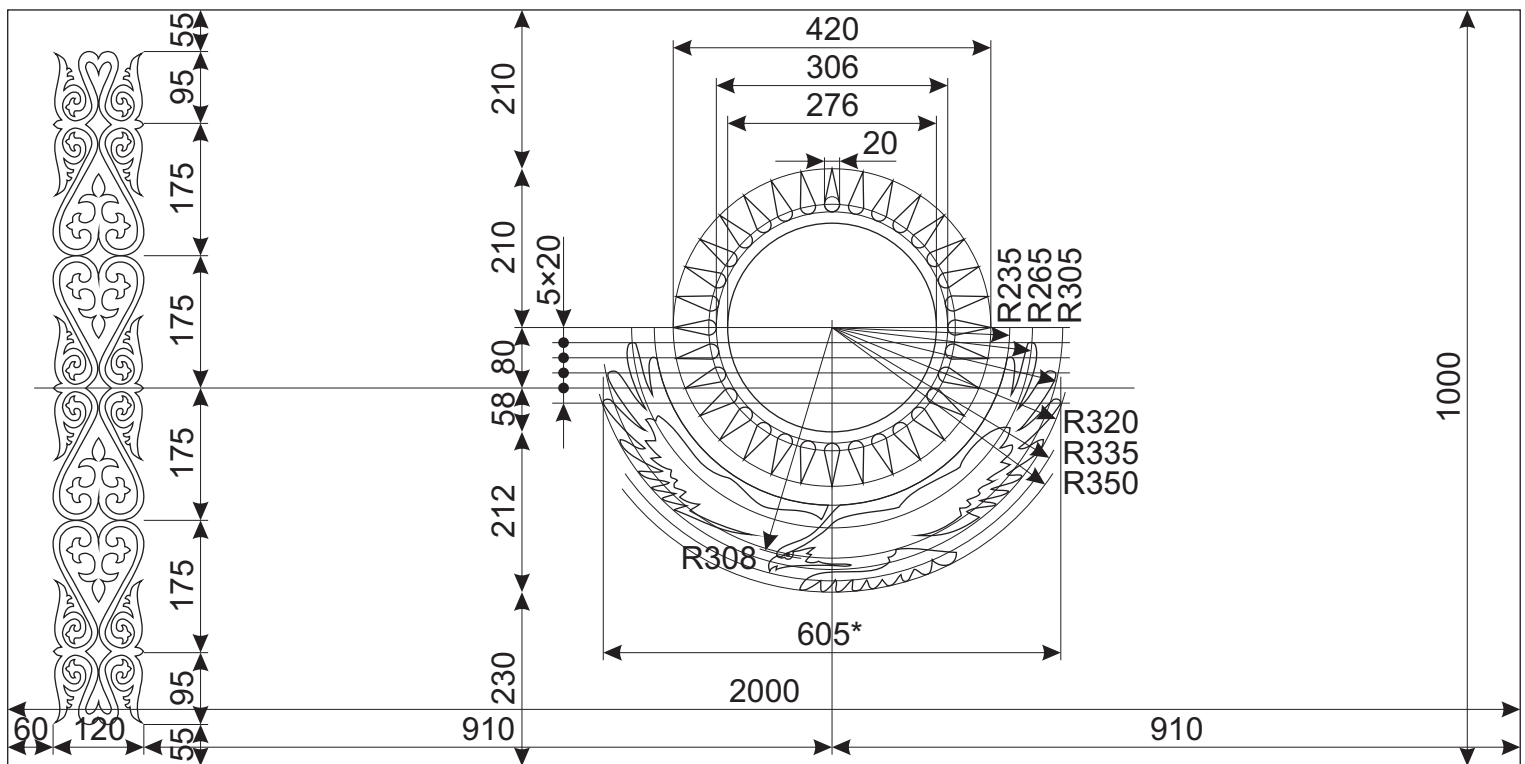
the Constitution of 7 December 1946

the Constitution of 8 January 1952

the Constitution of 2 August 1958

Article 4.

The Jordanian flag shall be of the following form and dimensions: "The length of the flag shall be twice its width. It shall be divided horizontally into three parallel and equal stripes, the uppermost of which shall be black, the center, white, and



Kazakhstan

Adopted: 1992

Sources:

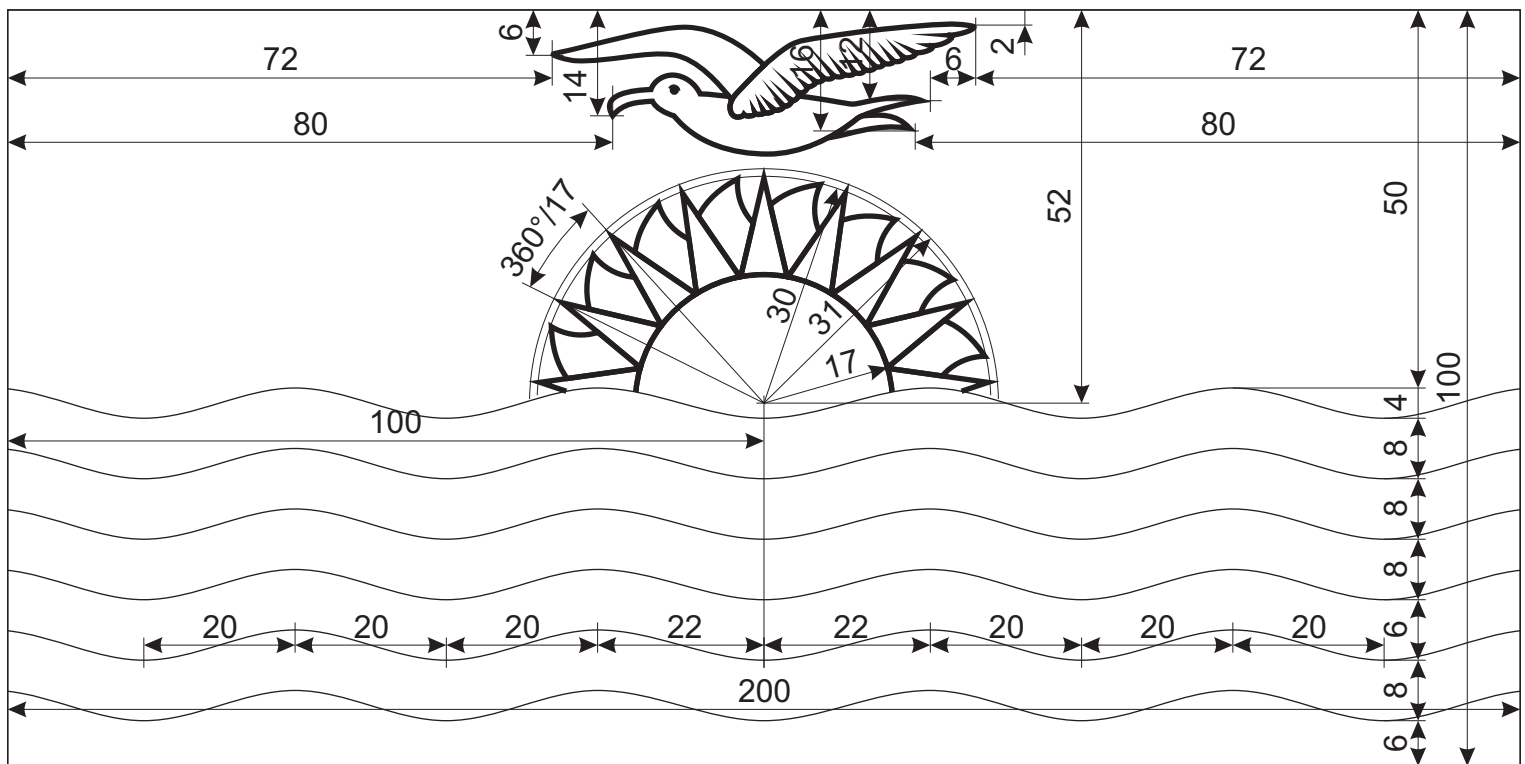
FOTW

О государственных символах Республики Казахстан, Конституционный закон Республики Казахстан от 4 июня 2007 года N 258, "Казахстанская правда" от 5 июня 2007 года N 84 (25329) Ведомости Парламента РК 2007 год, N 11(2492) май, ст. 72

http://www.egov.kz/wps/wcm/connect/cb6668004f02e18c8bf39b384bda0235/Z070258_20070604.htm?MOD=AJPERES&CACHEID=cb6668004f02e18c8bf39b384bda0235&useDefaultText=0&useDefaultDesc=0

Государственный Флаг Республики Казахстан - Общие технические условия - ҚР СТ 988-2007, Комитет по техническому регулированию и метрологии Министерства индустрии и торговли Республики Казахстан (Госстандарт), Астана

Указ Президента Республики Казахстан "О государственных символах Республики Казахстан", Алматы, 24 января 1996 г.



Kiribati

Adopted: 1981

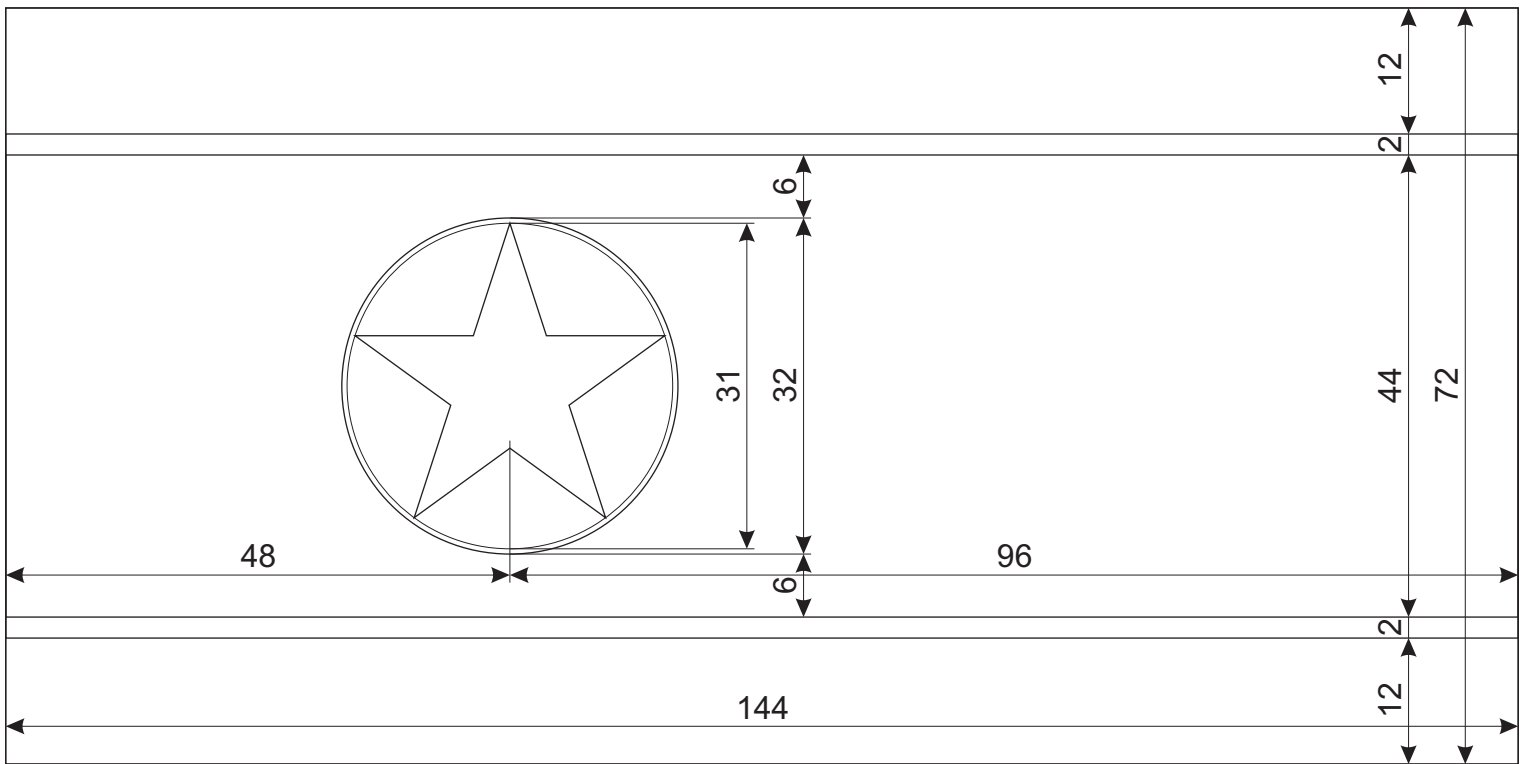
Sources:

FOTW

Robert Grubiša, Rijeka, correspondence with the Ministry of Foreign Affairs of the Republic of Kiribati, dated 6 March 1984, signed by one P. T. Timeon, Secretary of Foreign Affairs.

National Identity Act 1989, Republic of Kiribat, No. 2 of 1989, 01/06/1989 (An Act To Make Provision For A Kiribati National Flag Or Other Flags Or Ensigns, Kiribati National Emblem And Kiribati National Anthem And For Connected Purposes), Commencement: 1989,

http://www.paclii.org/ki/legis/num_act/nia1989197/index.html



Korea, DPR

Adopted: 1948

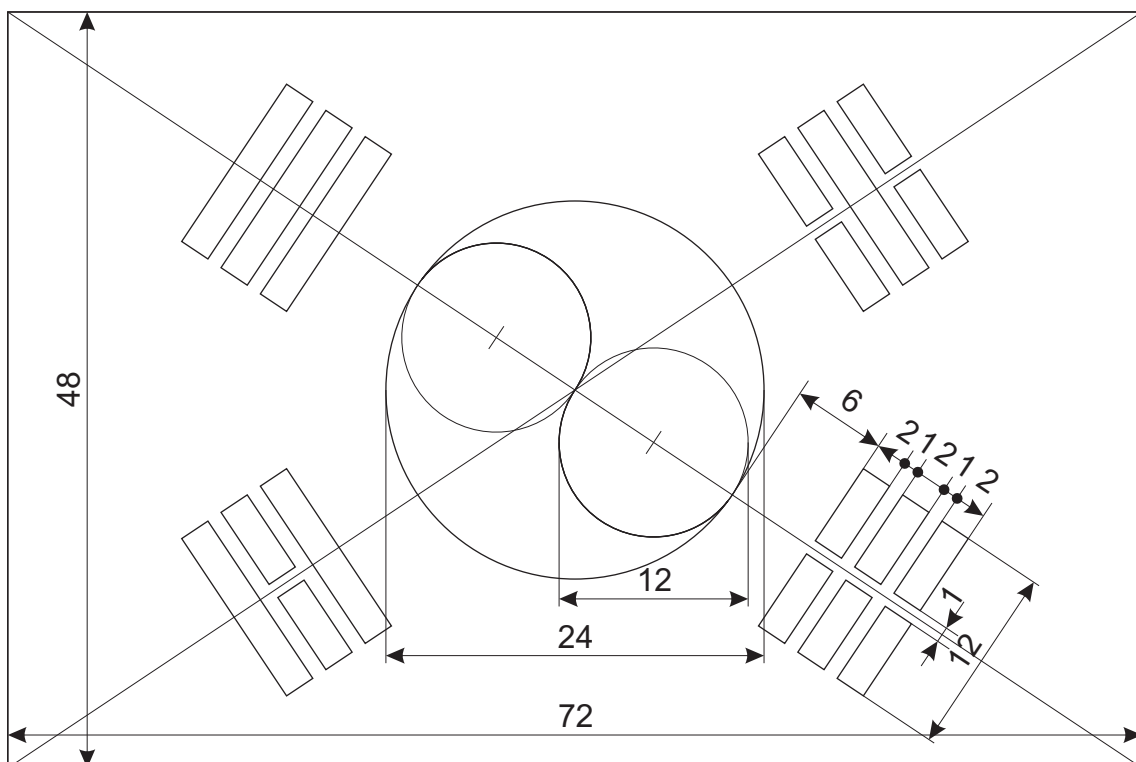
Sources:

FOTW

Article 164, the Socialist Constitution of the Democratic People's Republic of Korea, December 1972 (amended 1992 and on Sept. 5, 1998),

http://en.wikisource.org/wiki/Constitution_of_North_Korea_%281972%29

Article 170, the Socialist Constitution of the Democratic People's Republic of Korea, April 2009, <http://asiamatters.blogspot.com/2009/10/north-korean-constitution-april-2009.html>



Korea, Republic of

Adopted: 1948

Sources:

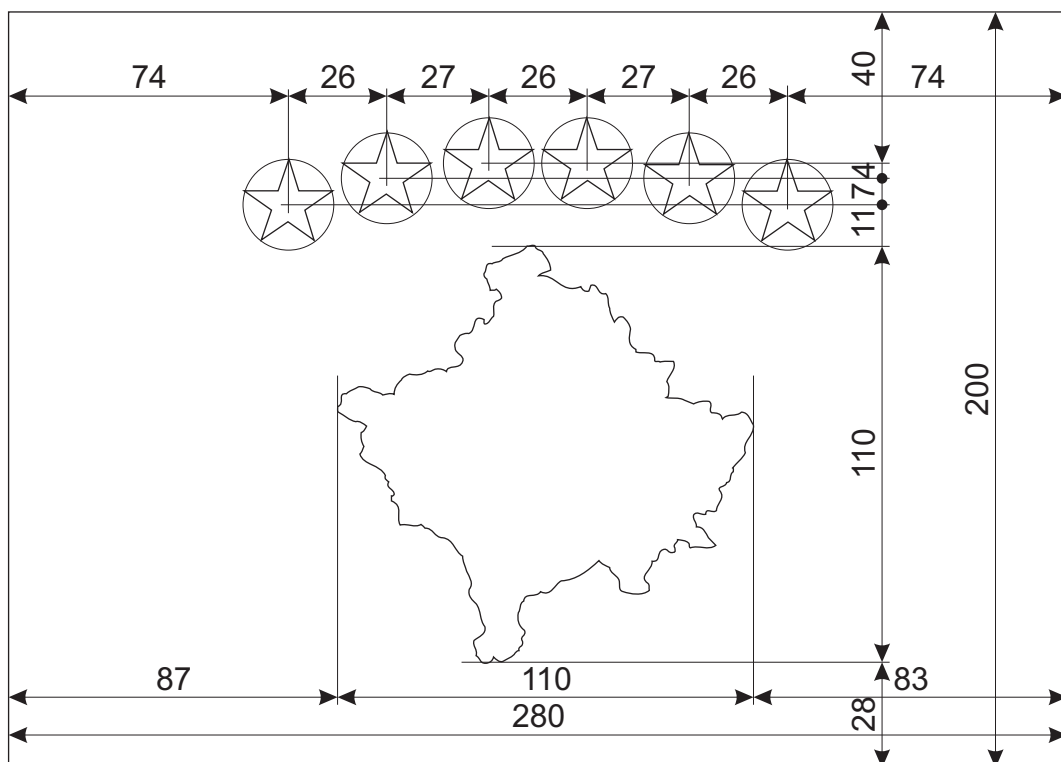
FOTW

대한민국국기법시행령 (Ordinance Act of the Law concerning the National Flag of the Republic of Korea), 2008, (Presidential Decree No. 23091 last revisions in 2011.08.22.),

http://www.lawnb.com/lawinfo/law/info_law_searchview.asp?ljo=l&lawid=00687210

"깃면 [Geometry of the National Flag]" (in Korean). Ministry of Public Administration and Security. 2009.

http://www.mopas.go.kr/gpms/view/korea/korea_index_vm.jsp?cat=bonbu/chief&menu=chief_06_04_02_sub03



Kosovo

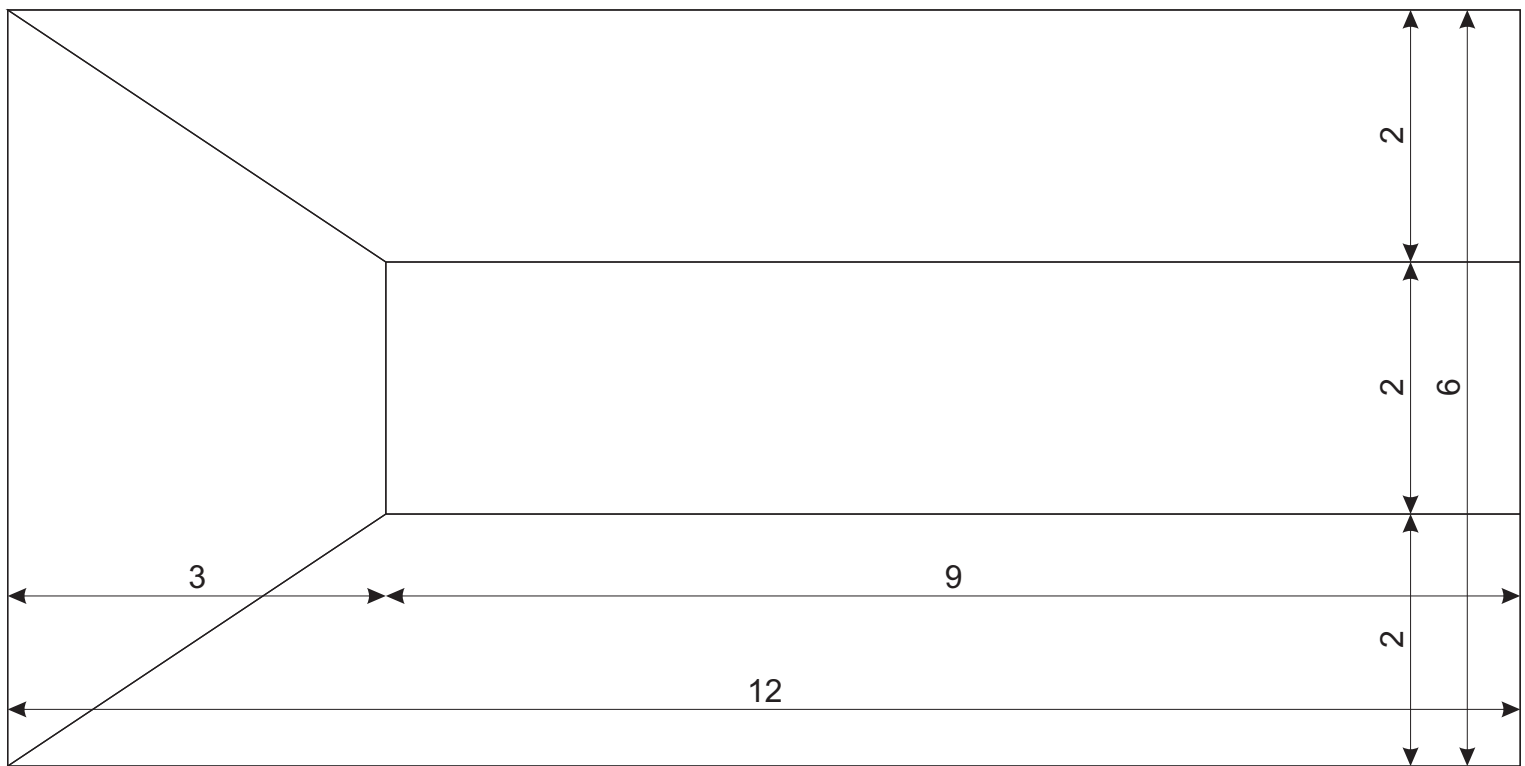
Adopted: 2008

Sources: * State Protocol Law prescribes ratio 1:1.4, other dimensions based on the officially released vector drawing - approximated

FOTW

Law On Use Of State Symbols Of Kosova | Ligji për përdorimin e simboleve shtetërore të Kosovës | Zakon o upotrebi državnih simbola Kosova | Zakon o upotrebi državnih simbola Kosova | Kosova devlet sembollerinin kullanılmasına ilişkin kanun, Nr. 03/L-038, adopted 20.02.2008, Official Gazette of the Republic of Kosovo | Gazeta Zyrtare e Republikës së Kosovës | Službene novine Republike Kosova | Službeni list Republike Kosova | Kosova Cumhuriyeti resmi gazetesi , Nr. 26, 02.06.2008.

Law for the State Protocol of the Republic of Kosova | Ligj për protokollin e shtetit të Republikës së Kosovës | Zakon o državnom protokolu Republike Kosova | Zakon o državnom protokolu Republike Kosova | Yasa Kosova Cumhuriyeti için devlet protokolü, Nr. 03/L-132, adopted 16.04.2009, Official Gazette of the Republic of Kosovo | Gazeta Zyrtare e Republikës së Kosovës | Službene novine Republike Kosova | Službeni list Republike Kosova | Kosova Cumhuriyeti resmi gazetesi, Nr. 53, 01.06.2009.



Kuwait

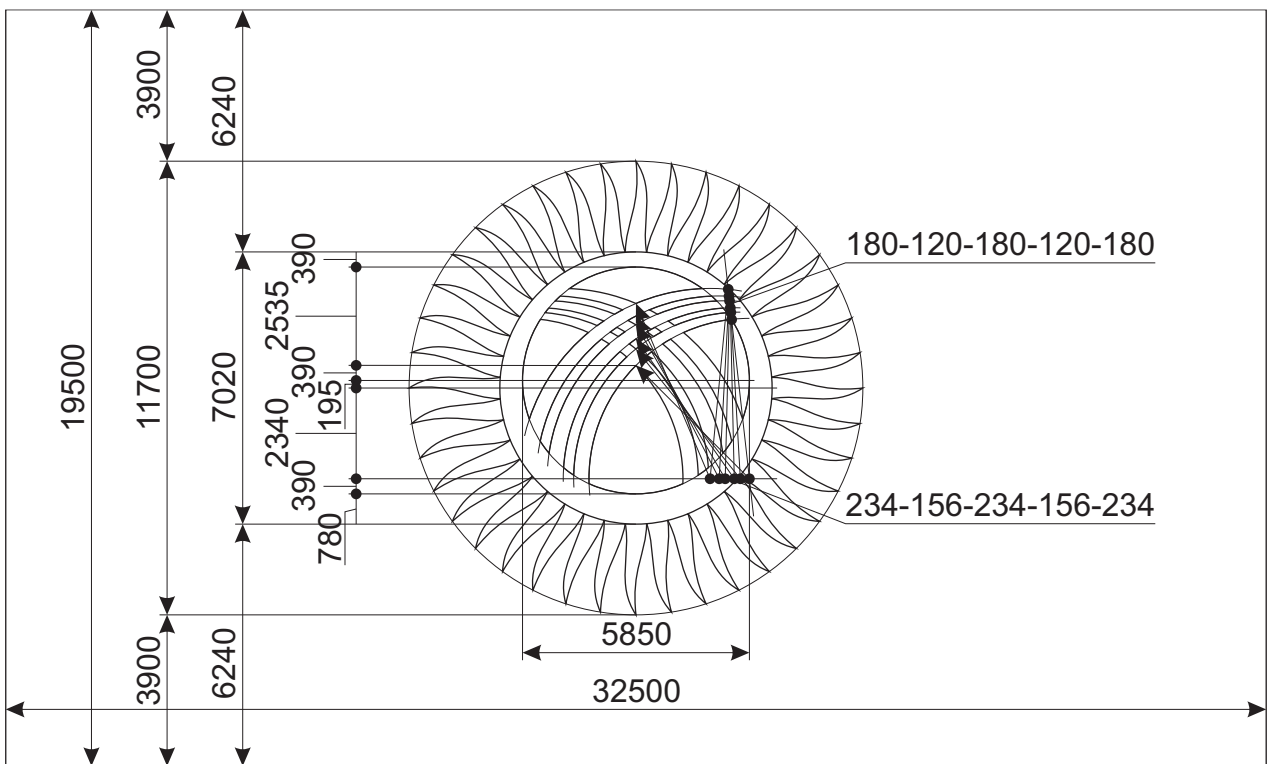
Adopted: 1961

Sources:

FOTW

Law #26 (1961) about the national flag of Kuwait, 27 Rabi 1st 1381 (7 September 1961)

Law #31 (1961), amendment to the law #26, 10 Jomada 1381 (18 September 1961)



Kyrgyzstan

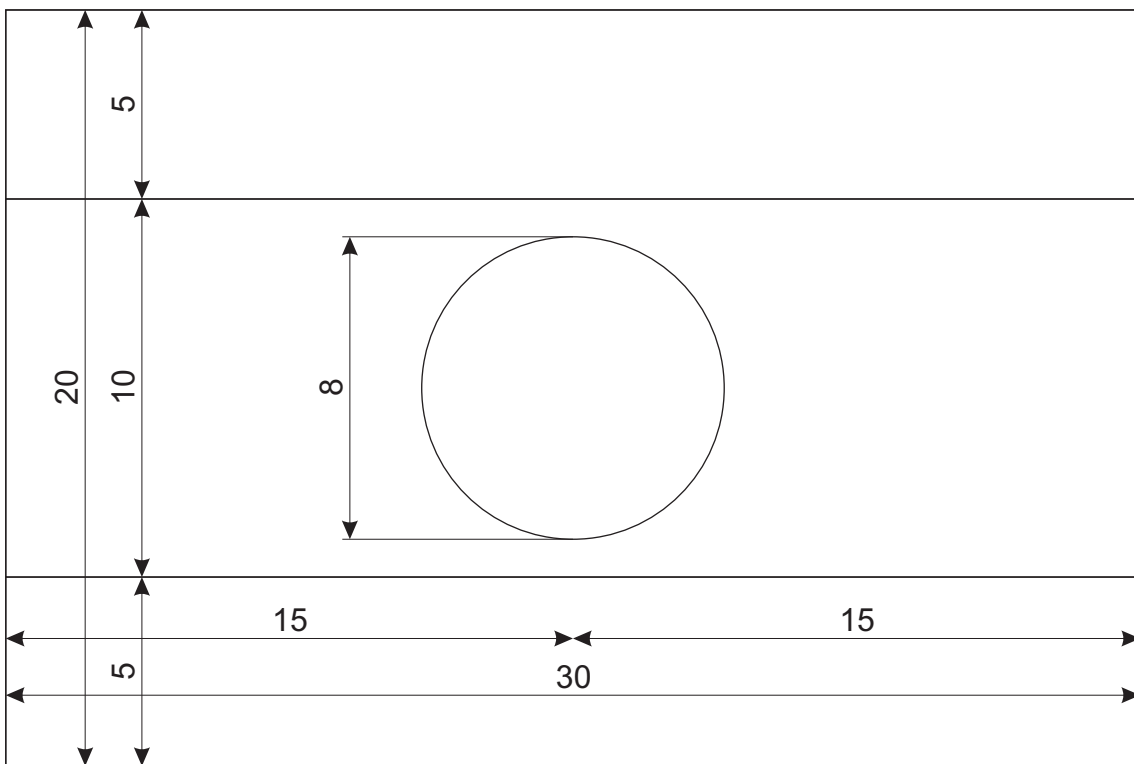
Adopted: 1992

Sources:

FOTW

Law on Ammendments to the Constitution (Basic Law) of the Republic of Kyrgystan, 3 March 1992.

Kyrgyz Republikasynyn Mamlekettik Zheleginin Shemalyk Surotu / Shematischeskoe Izobrazhenie Gosudarstvennogo Flaga Respubliki Kyrgyzstan, 3 March 1992.



Laos

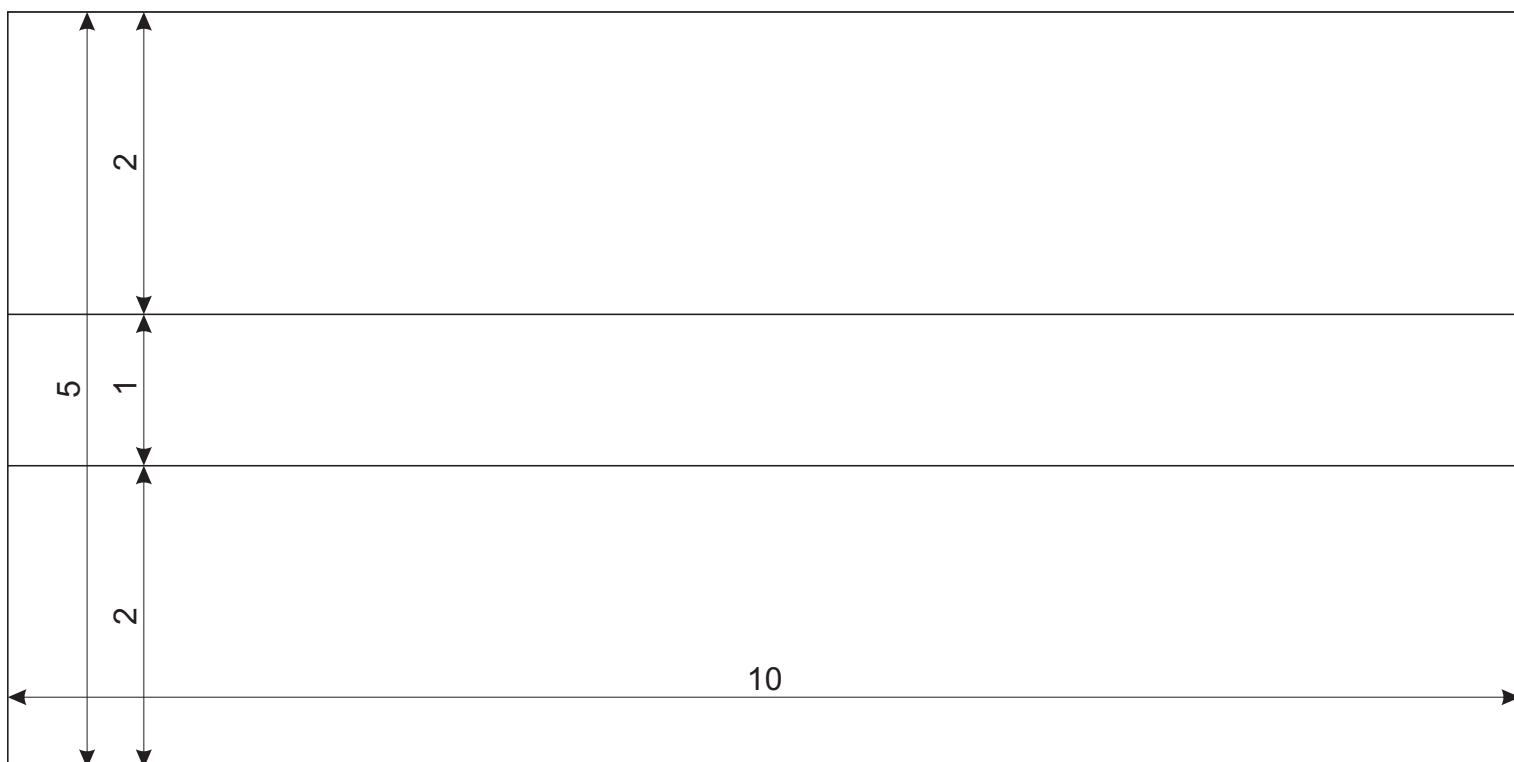
Adopted: 1975

Sources:

FOTW

The Constitution of the Lao People's Democratic Republic, 14 August 1991, (Article 77)

The Constitution of the Lao People's Democratic Republic, amended 28 May 2003, (Article 91.)



Latvia

Adopted: 1990 (1923)

Sources:

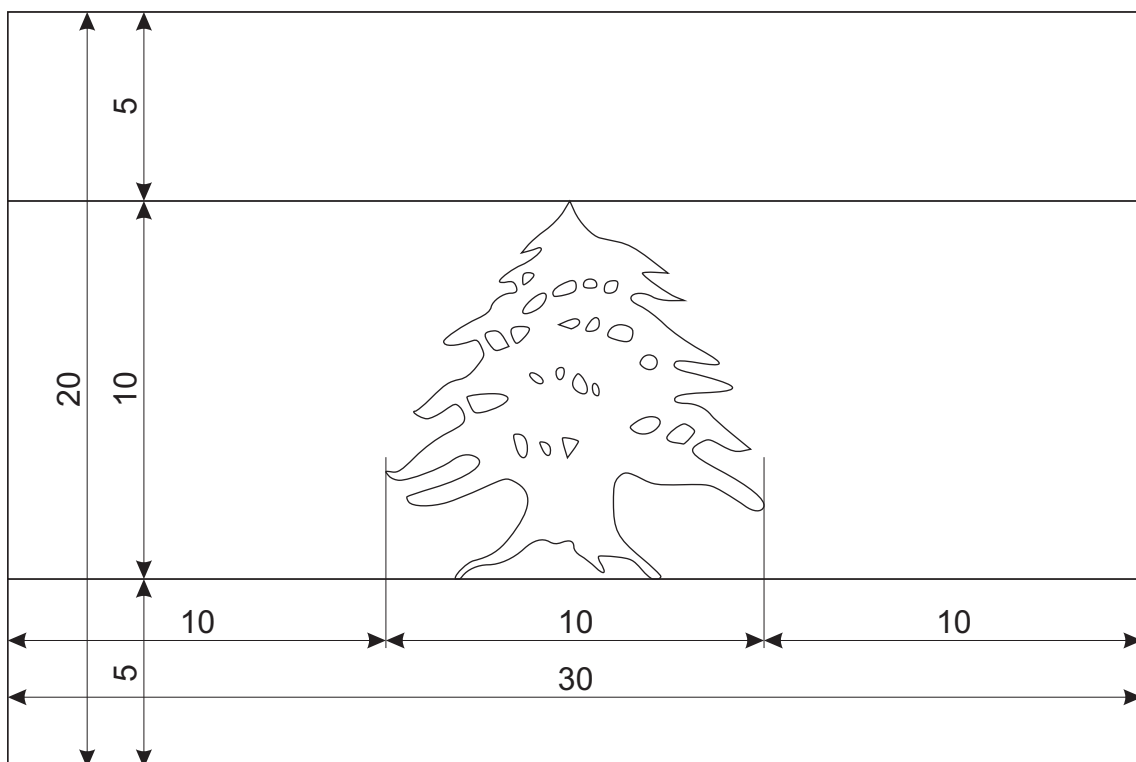
FOTW

Latvijas valsts karoga likums, 29 October 2009, <http://www.saeima.lv/lv/par-saeimu/simbolika/latvijas-valsts-karoga-likums>

Par Latvijas valsts karogu, 15.12.1994,

http://www.likumi.lv/doc.php?id=58926&version_date=15.12.1994

(amended 15.06.2000, 10.02.2001, 08.06.2004, 01.07.2009)



Lebanon

Adopted: 1943

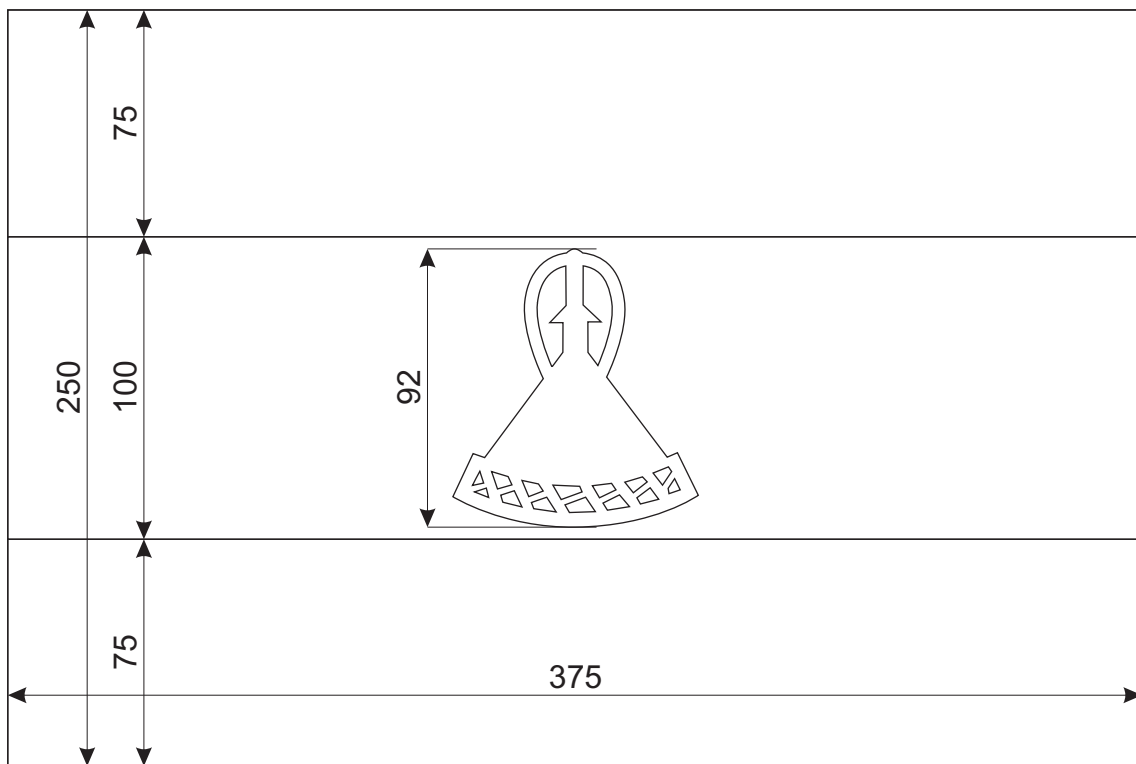
Sources:

FOTW

Constitution du Liban, 23.05.1926, amended Article 5. 07.12.1943.

[http://www.judicial-](http://www.judicial-ethics.umontreal.ca/en/codes%20enonces%20deonto/documents/Liban_CONSTITUTION.pdf)

[ethics.umontreal.ca/en/codes%20enonces%20deonto/documents/Liban_CONSTITUTION.pdf](http://www.judicial-ethics.umontreal.ca/en/codes%20enonces%20deonto/documents/Liban_CONSTITUTION.pdf)



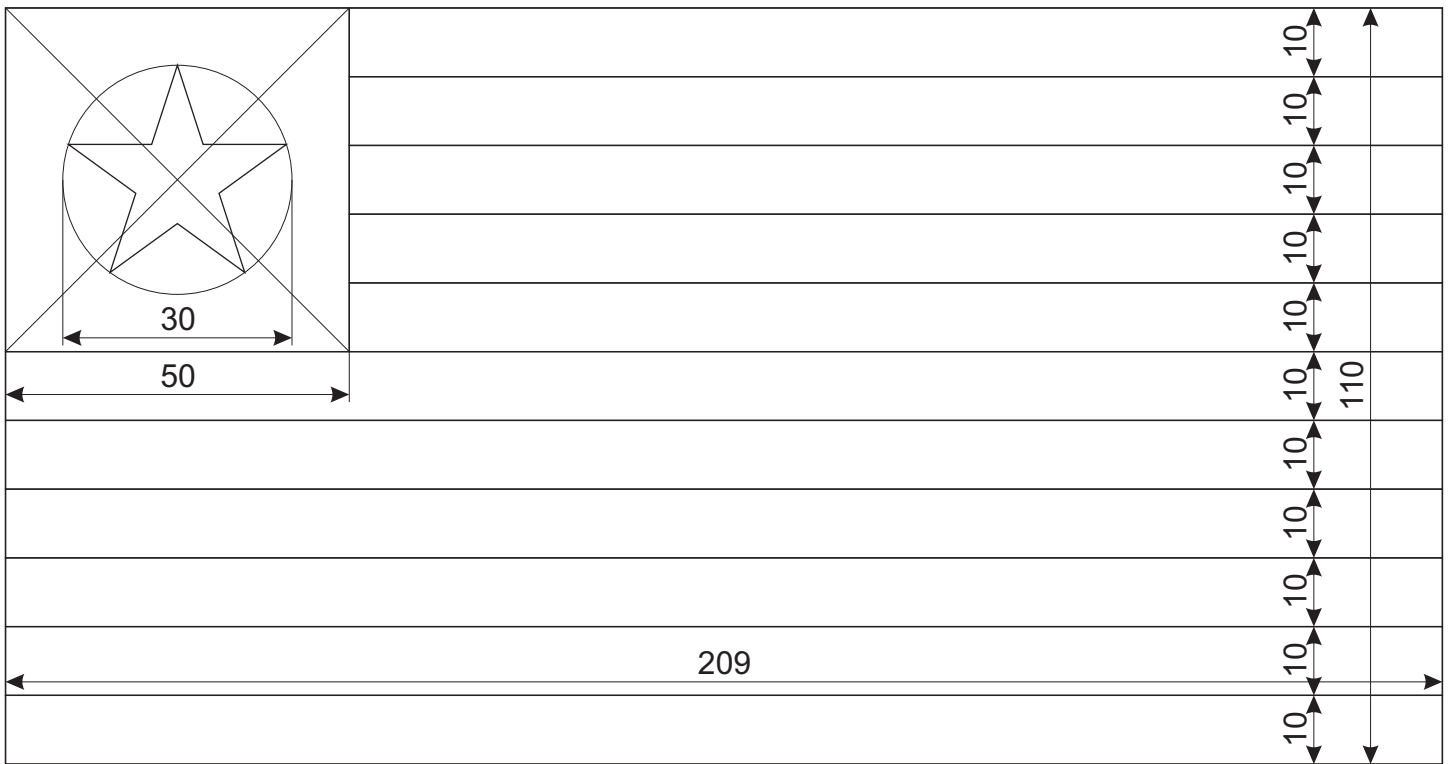
Lesotho

Adopted: 2006

Sources:

FOTW

(National Flag Act 2009, Section 3)



Liberia

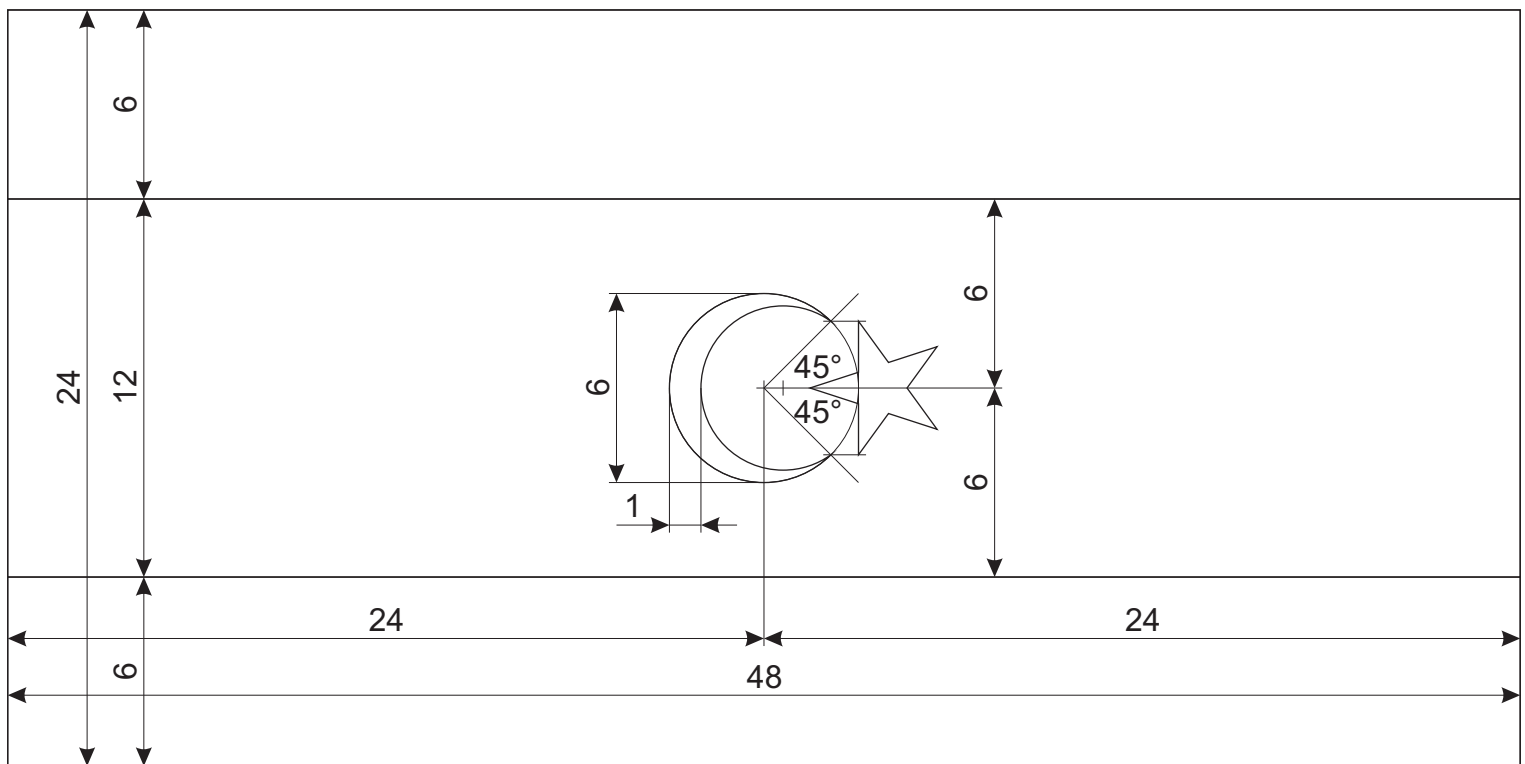
Adopted: 1847

Sources:

FOTW

Annex to the Constitution of the Republic of Liberia of 16 June 1847

Flag Law, 11 April 1961



Libya

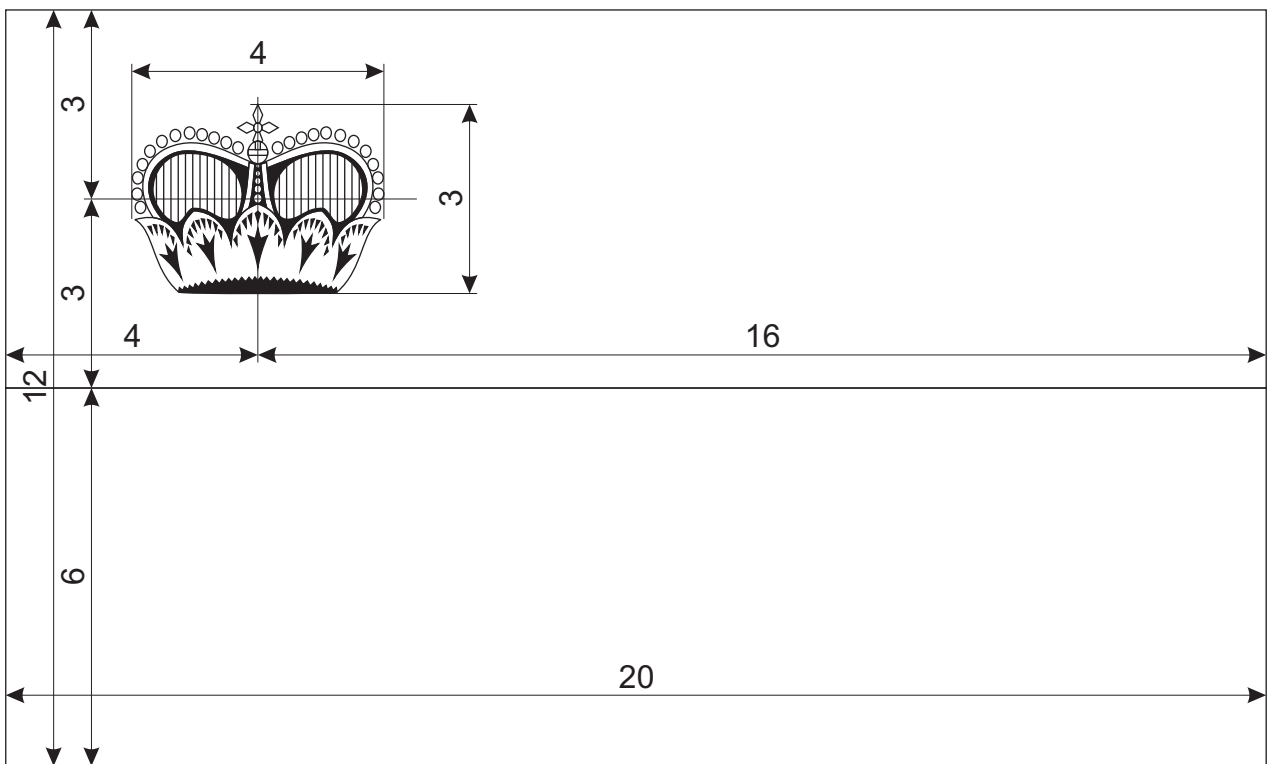
Adopted: 2011 (1951)

Sources:

FOTW

The Libyan Flag & National Anthem, Kingdom of Libya Ministry of Information and Guidance, booklet, 1951,

http://en.wikipedia.org/wiki/File:Libyan_Flag_Construction_Ministry_of_Information_and_Guidance_1951.jpg



Liechtenstein

Adopted: 1973

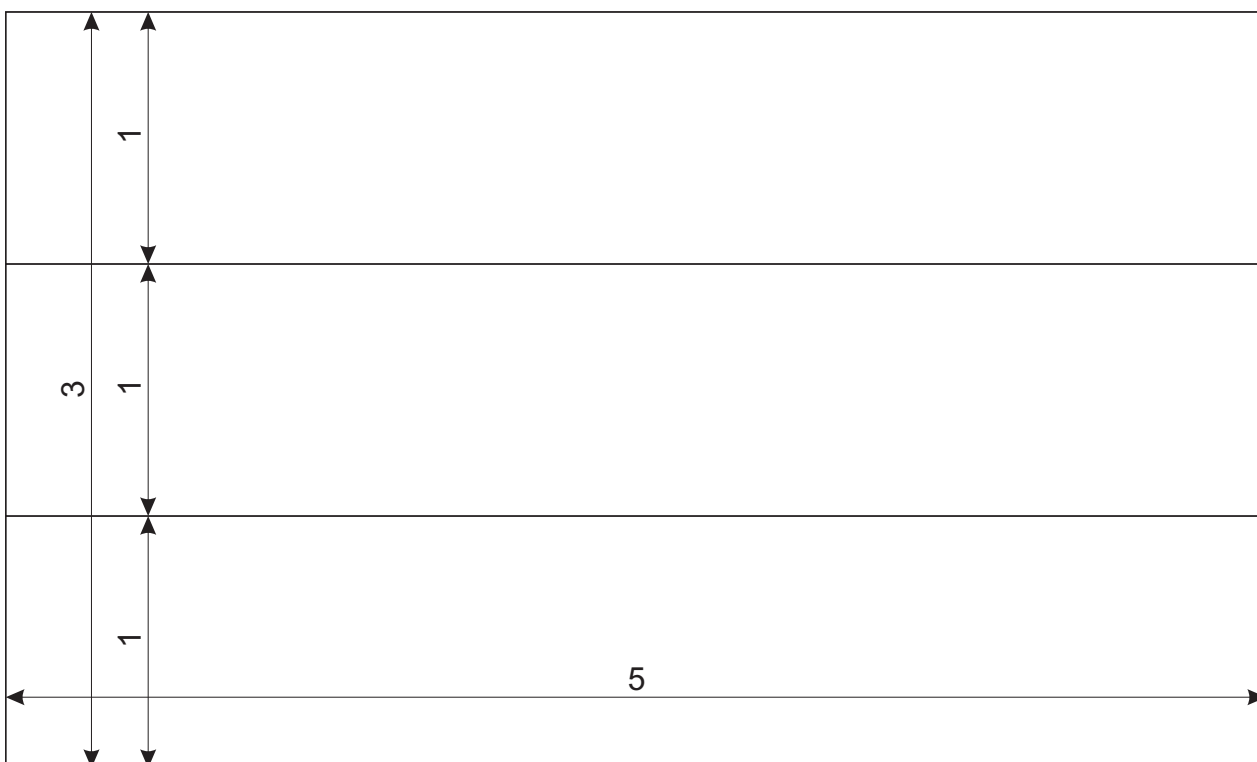
Sources:

FOTW

Gesetz vom 4. Juni 1957 betreffend Wappen und Flaggen des Fürstentums Liechtenstein, LGBl. 1957 Nr. 13.

Gesetz vom 30. Juni 1982 über Wappen, Farben, Siegel und Embleme des Fürstentums Liechtenstein (Wappengesetz), Liechtensteinisches Landesgesetzblatt, Nr. 58, 18. September 1982. <http://www.llv.li/pdf-llv-1982058.pdf> http://www.gesetze.li/get_pdf.jsp?PDF=1982058.pdf

Verordnung vom 8. Mai 1984 über die Beflaggung, Liechtensteinisches Landesgesetzblatt, Nr. 26, 24. Juli 1984. http://www.gesetze.li/get_pdf.jsp?PDF=1984026.pdf



Lithuania

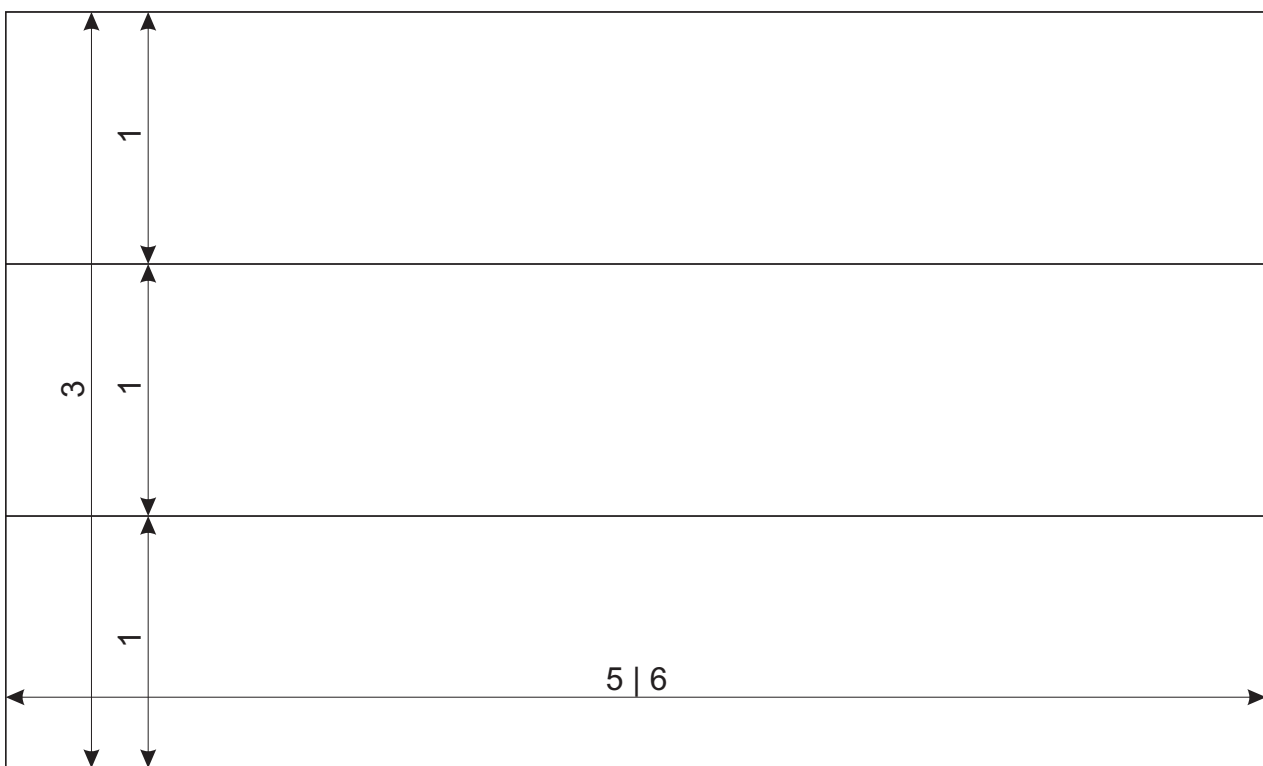
Adopted: 2004 (1918, 1988 in 1:2 ratio)

Sources:

FOTW

Law on the National Flag and Other Flags, Official translation, 26 June 1991 No. I-1497,
Revised version adopted on 8 July 2004 No. IX-2331, As amended by 12 May 2005 No X-197,
http://www3.lrs.lt/pls/inter3/dokpaieska.showdoc_l?p_id=257119

Lietuvos Respublikos valstybinės vėliavos ir herbo vektorizuoti etalonai, 2007,
http://www.lrv.lt/bylos/herbas-logo/LR_veliava_ir_herbas.pdf



Luxembourg

Adopted: 1972 (1848)

Sources: * law determines both 1:2 and 3:5 flags as official

FOTW

Loi du 23 juin 1972 sur les emblèmes nationaux, Memorial - Journal Officiel du Grand-Duché de Luxembourg |
 Amtsblatt des Großherzogtums Luxemburg, A - N° 51, 16 août 1972

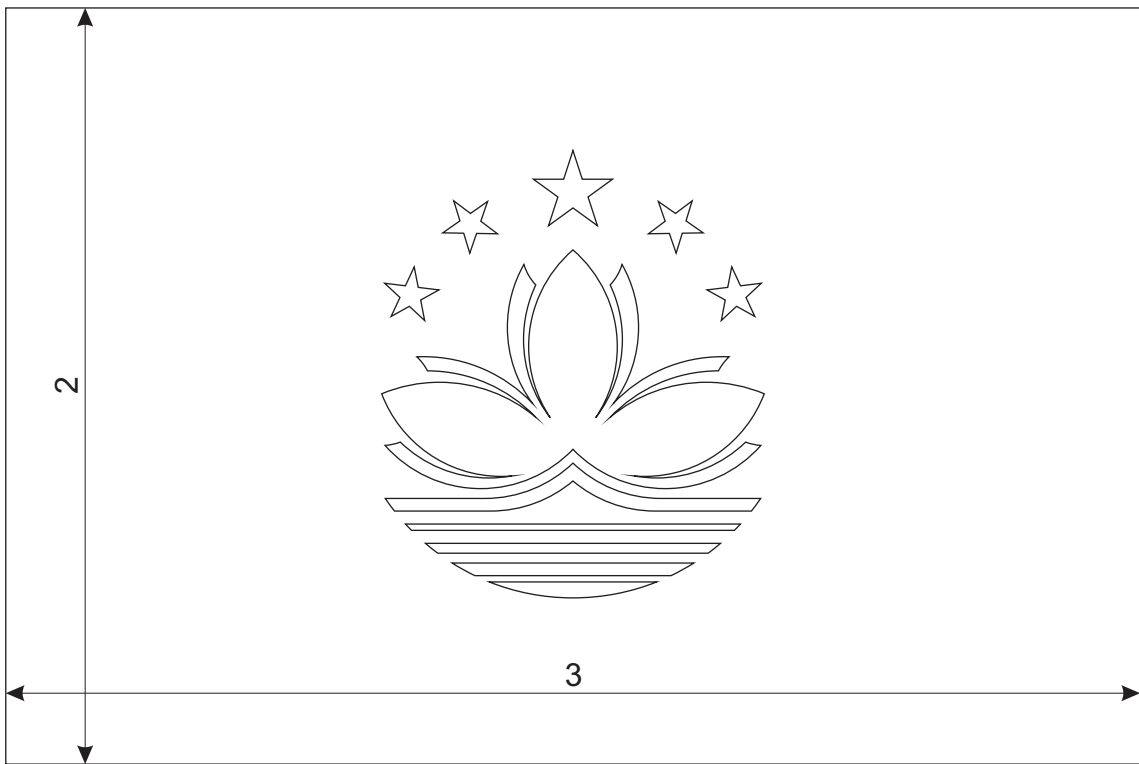
<http://www.legilux.public.lu/leg/a/archives/1972/0051/index.html>

Loi du 27 juillet 1993 modifiant et complétant la loi du 23 juin 1972 sur les emblèmes nationaux, Memorial, A - N° 73, 16 septembre 1993

<http://www.legilux.public.lu/leg/a/archives/1993/0073/index.html>

Règlement grand-ducal du 27 juillet 1993 précisant la composition chromatique des couleurs du drapeau national luxembourgeois et du pavillon de la batterie et de l'aviation, Memorial, ibid.

Texte coordonné du 16 septembre 1993 de la loi du 23 juin 1972 sur les emblèmes nationaux, telle qu'elle a été modifiée, Memorial, ibid.

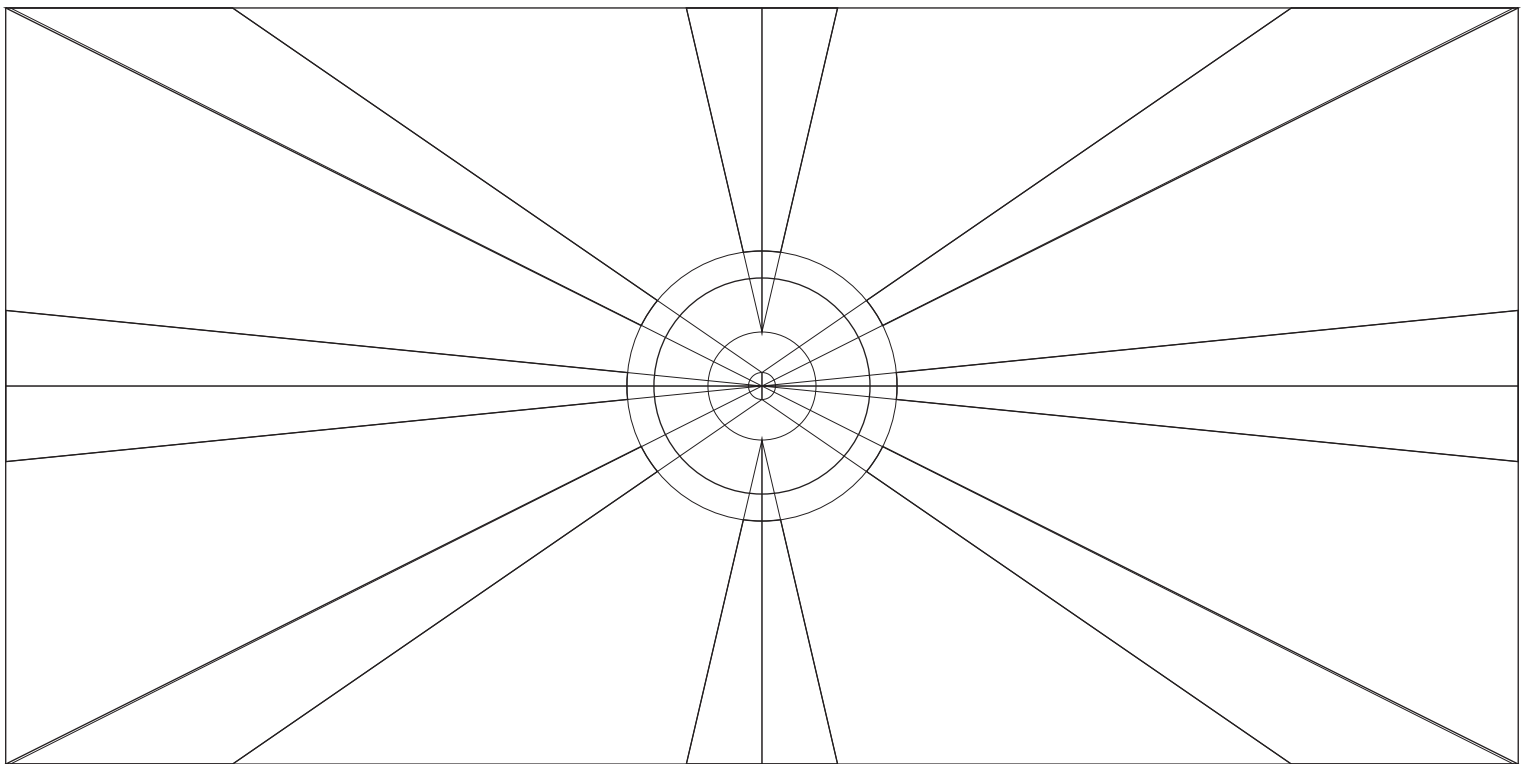


Macau

Adopted: 1999

Sources:

FOTW, Wikipedia



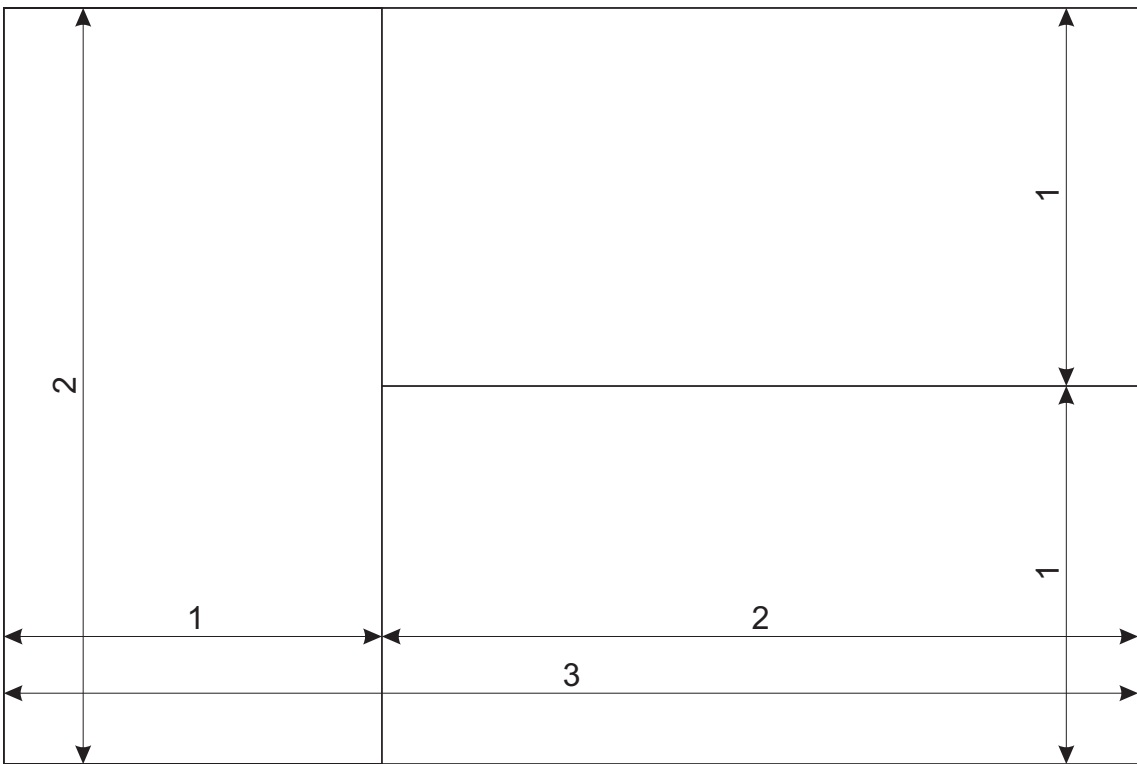
Macedonia

Adopted: 1995

Sources:

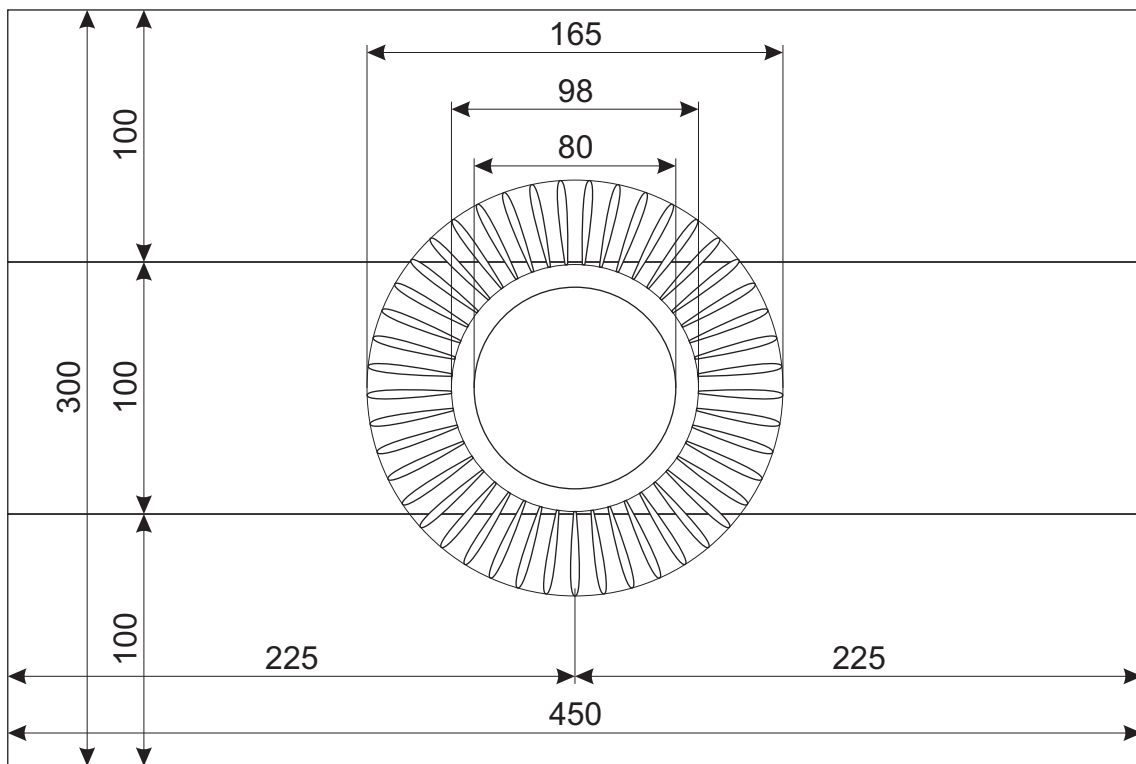
FOTW

!!! Waiting for new data from Jovan



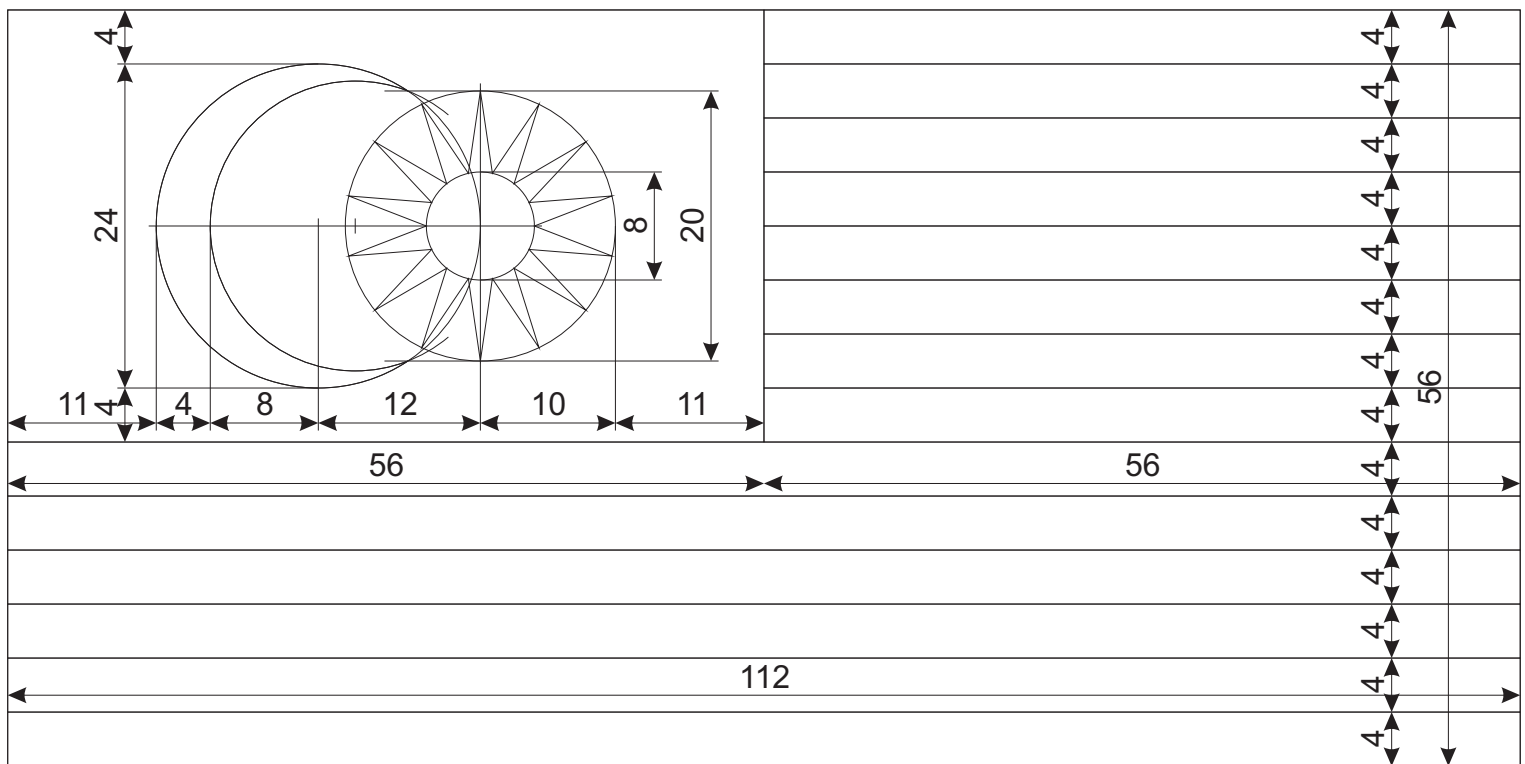
Madagascar

Adopted: 1958
Sources:
FOTW



Malawi

Adopted: 2010
Sources:
FOTW



Malaysia

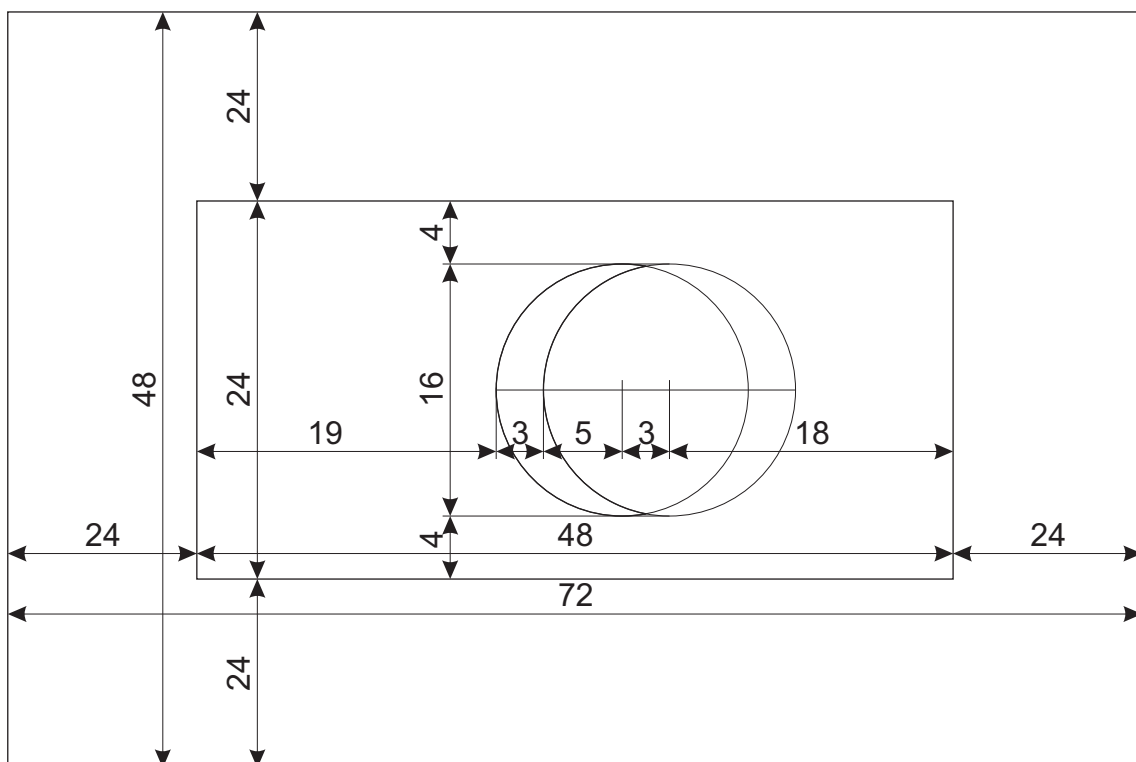
Adopted: 1963 (1950 11-point/11-stripes)

Sources:

FOTW

"Cara membuat bendera" (How to flag), Official Website of Department of Information Services Malaysia

http://pmr.penerangan.gov.my/index.php?option=com_content&view=article&id=1595%3Acara-membuat-bendera&catid=321%3Abendera-kita&Itemid=20



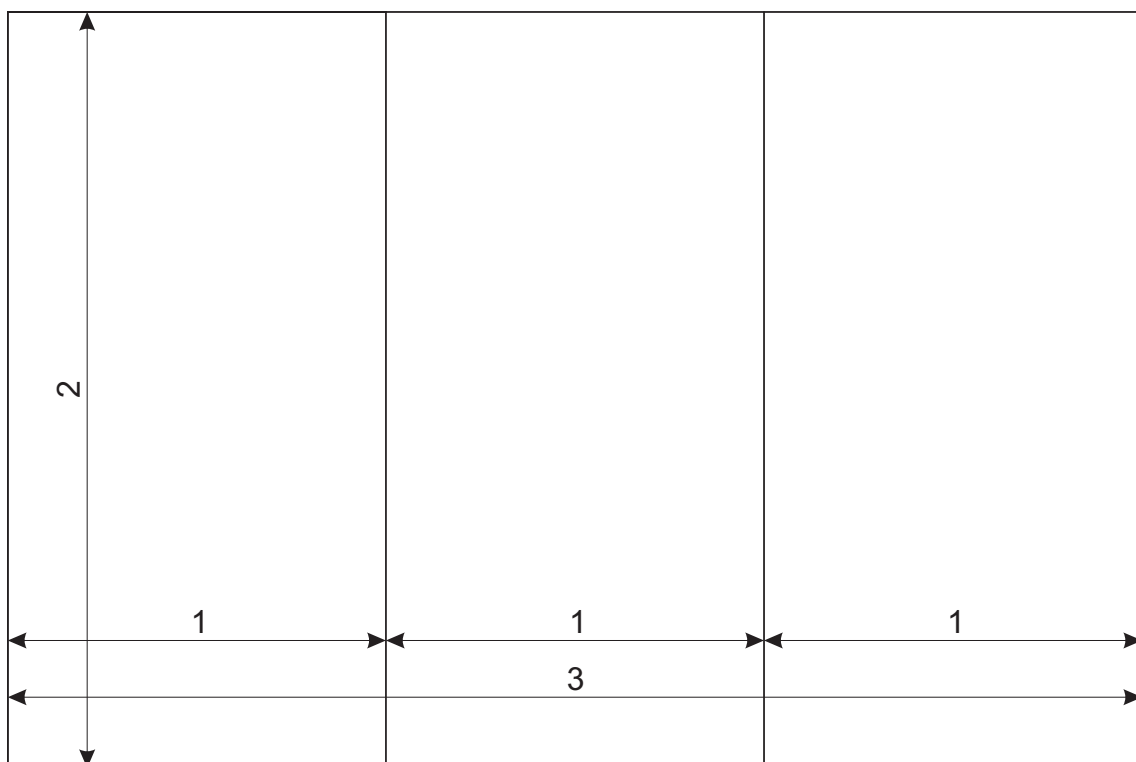
Maldives

Adopted: 1965

Sources:

FOTW

"National flag", Permanent Mission of the Republic of Maldives to the United Nations, ca. 2000. <http://www.un.int/maldives/emble.htm>



Madagascar

Adopted: 1958

Sources: * the constitution does not determine the overall ratio

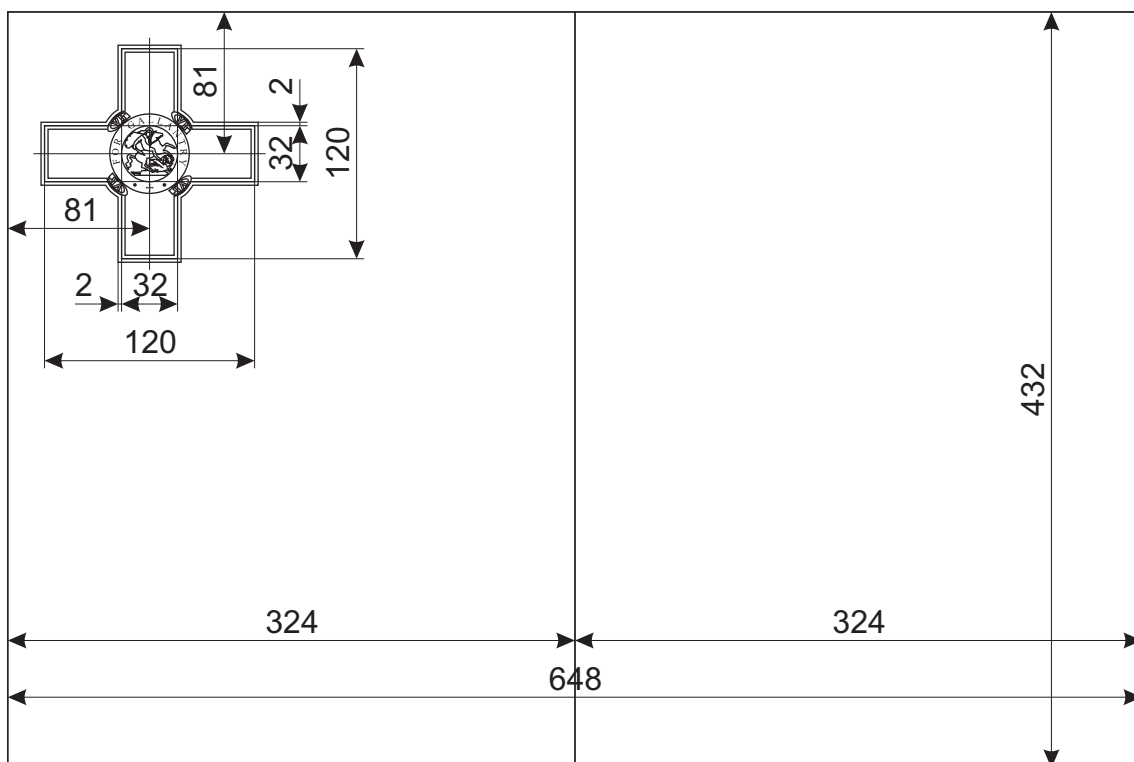
FOTW

Article 25, La Constitution du Mali, Decret n° 92-0731 P-CTSP portant promulgation de la Constitution, 25.02.1992,

<http://unpan1.un.org/intradoc/groups/public/documents/cafrad/unpan002746.pdf>

#xml=[http://unpan1.un.org/intradoc-](http://unpan1.un.org/intradoc-cgi/idc.cgi_isapi.dll?IdcService=GET_XML_HIGHLIGHT_INFO&QueryText=%28%27constitution%27+%3cOR%3e+dDocTitle+%3cSubstring%3e+%27constitution%27%29)

[cgi/idc.cgi_isapi.dll?IdcService=GET_XML_HIGHLIGHT_INFO&QueryText=%28%27constitution%27+%3cOR%3e+dDocTitle+%3cSubstring%3e+%27constitution%27%29](http://unpan1.un.org/intradoc-cgi/idc.cgi_isapi.dll?IdcService=GET_XML_HIGHLIGHT_INFO&QueryText=%28%27constitution%27+%3cOR%3e+dDocTitle+%3cSubstring%3e+%27constitution%27%29)



Malta

Adopted: 1964

Sources: * G=81, E=16 in the source can't be both true, here used G

FOTW

Graphical Specifications for the National Flag of Malta, Office of the Prime Minister, Malta, February 2008,

<http://www.doi.gov.mt/EN/state/National%20Flag%20Graphical%20Specifications.pdf>

Struzzjonijiet fuq l-Użu ta' Bnadar | Instructions on the Use of Flags, Notifikazzjoni tal-Gvern Nru. 517 | Government Notice No. 517, Gazzetta tal-Gvern ta' Malta | The Malta Government Gazette, No. 15.310, 25.06.1990.

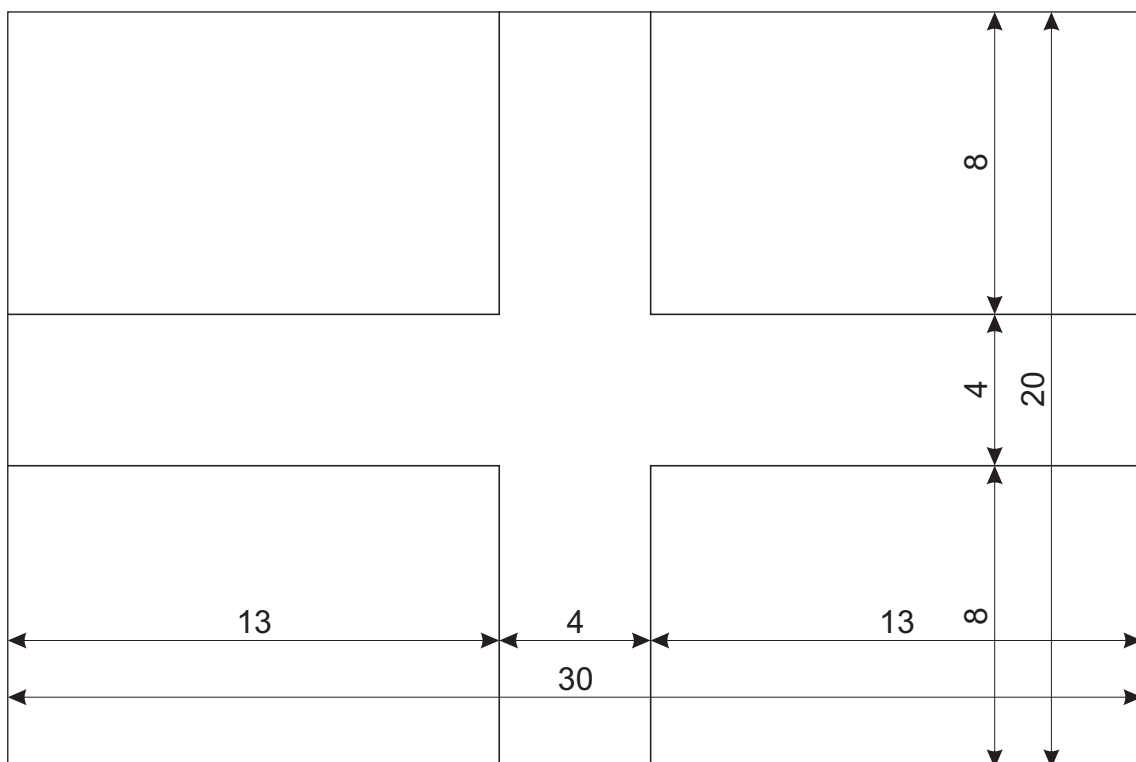
<http://www.doi.gov.mt/EN/state/GN%20517.pdf>

Display of Maltese Flag and EU Flag on Public Buildings, OPM/382/89, OPM Circular No 14/2004, Office of the Prime Minister, Auberge de Castille, Valletta CMR 02, 5 April 2004,

http://www.doi.gov.mt/EN/state/OPM%20No%2014_2004.doc

Flags, Symbols and their Use, Department of Information, Malta, 25.04.2008,

<http://www.doi.gov.mt/EN/state/symbols.asp>



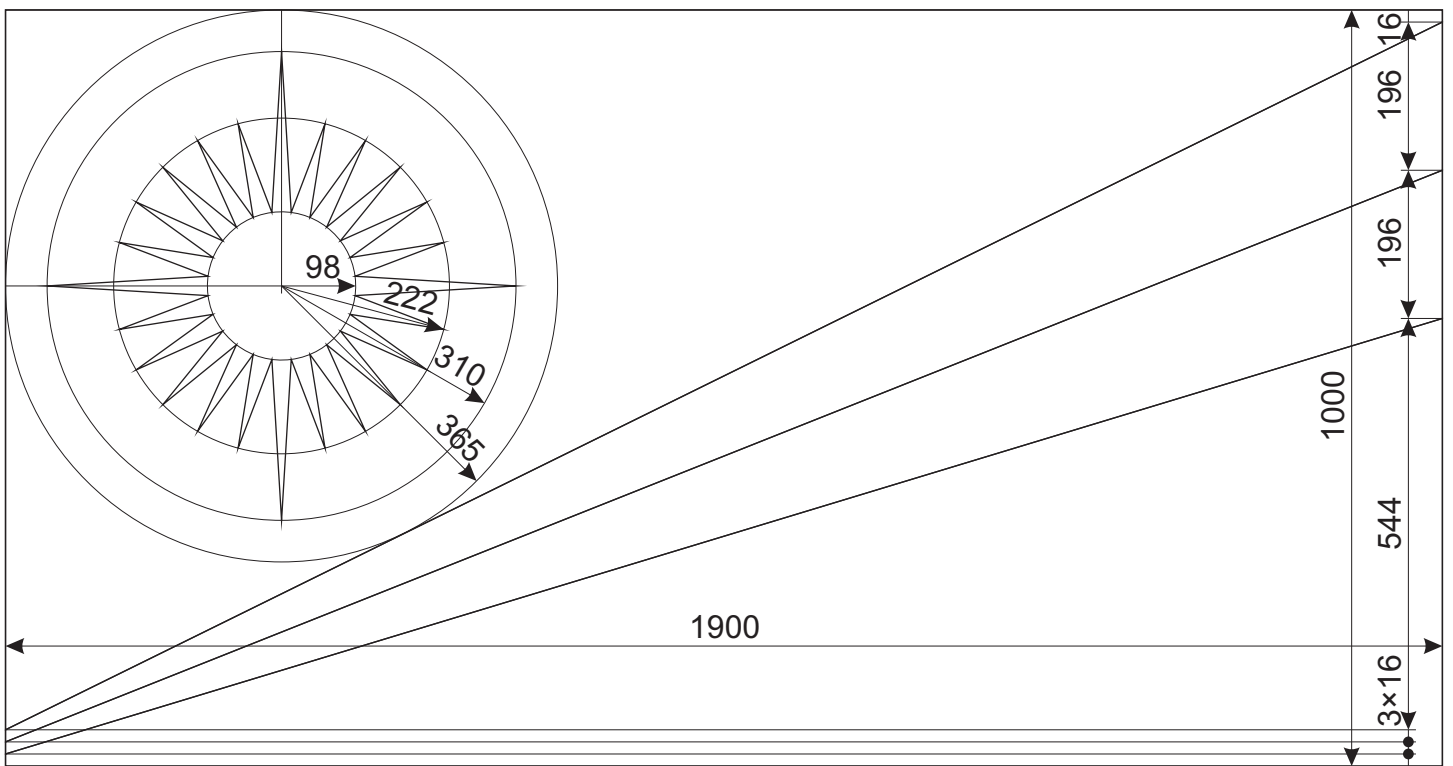
Malta, Sovereign Military Order of

Adopted: 1964

Sources:

FOTW

Adrian Strickland: "The vexillological heritage of the Knights of Saint-John in Malta", in: "Flags in South Africa and the world", Proceedings of the XVIIth International Congress of Vexillology, Cape Town, 1997, (pp. 277-287).



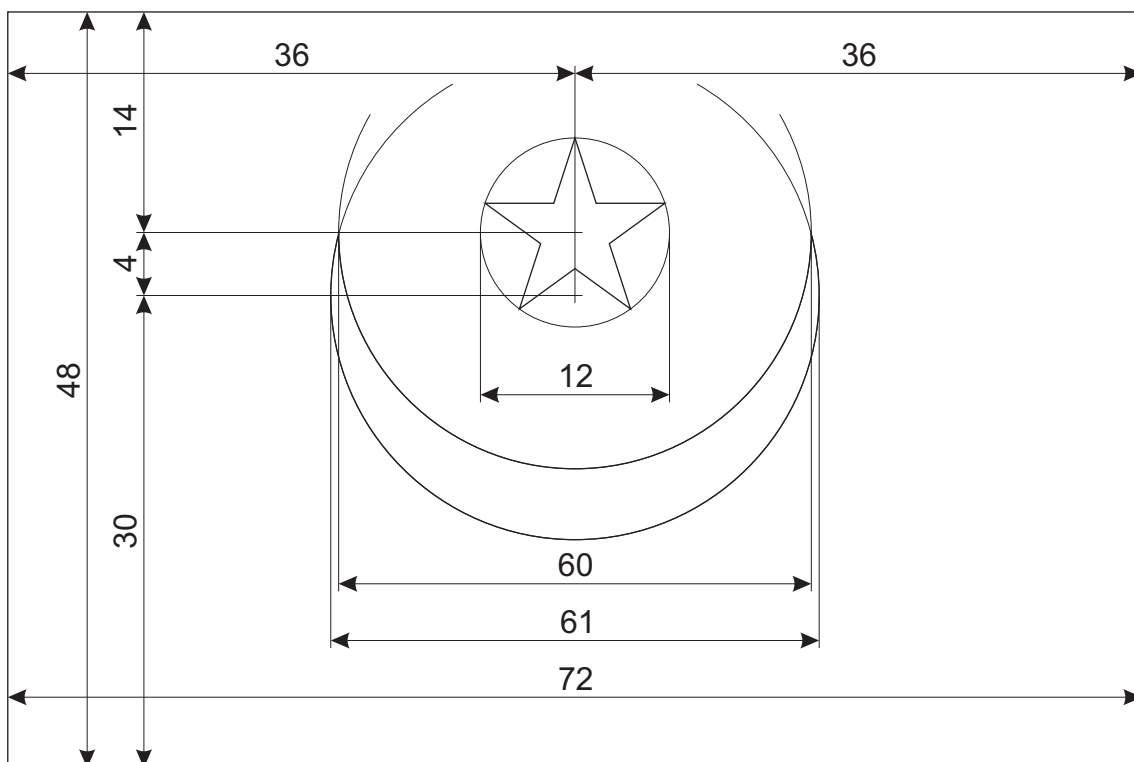
Marshall Islands

Adopted: 1979

Sources: * top and bottom 16 (therefore also 544) not defined explicitly in the source, 365 approximation from equidistance

FOTW

Official Flag of the Marshall Islands Act 1979 [1 MIRC Ch 3] (P.L. 1979-1), 12 June 1979, Marshall Islands Consolidated Legislation, http://www.paclii.org/mh/legis/consol_act/ofotmia1979292/



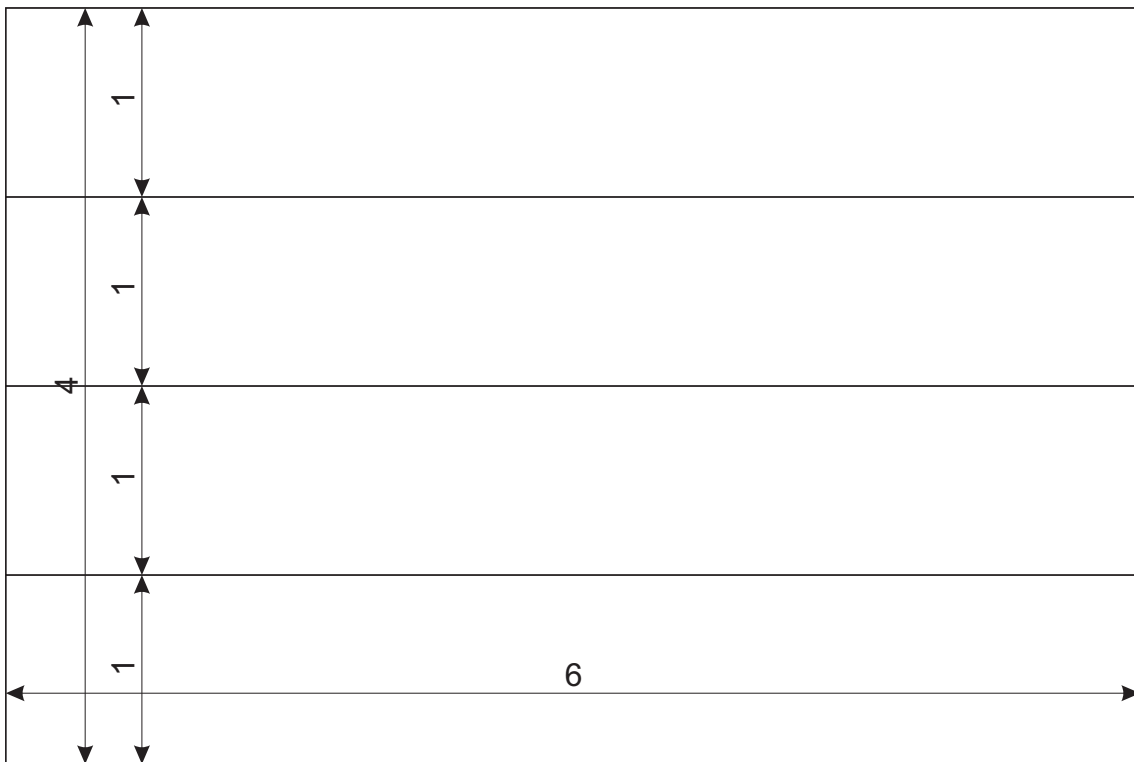
Mauritania

Adopted: 1959

Sources: * dimensions not defined, here shown as customarily used

FOTW

Article 8, La Constitution de la République Islamique de Mauritanie, Journal Officiel du 30 Juillet 1991, P. 446,
<http://www.mauritania-today.com/francais/constitution.htm>



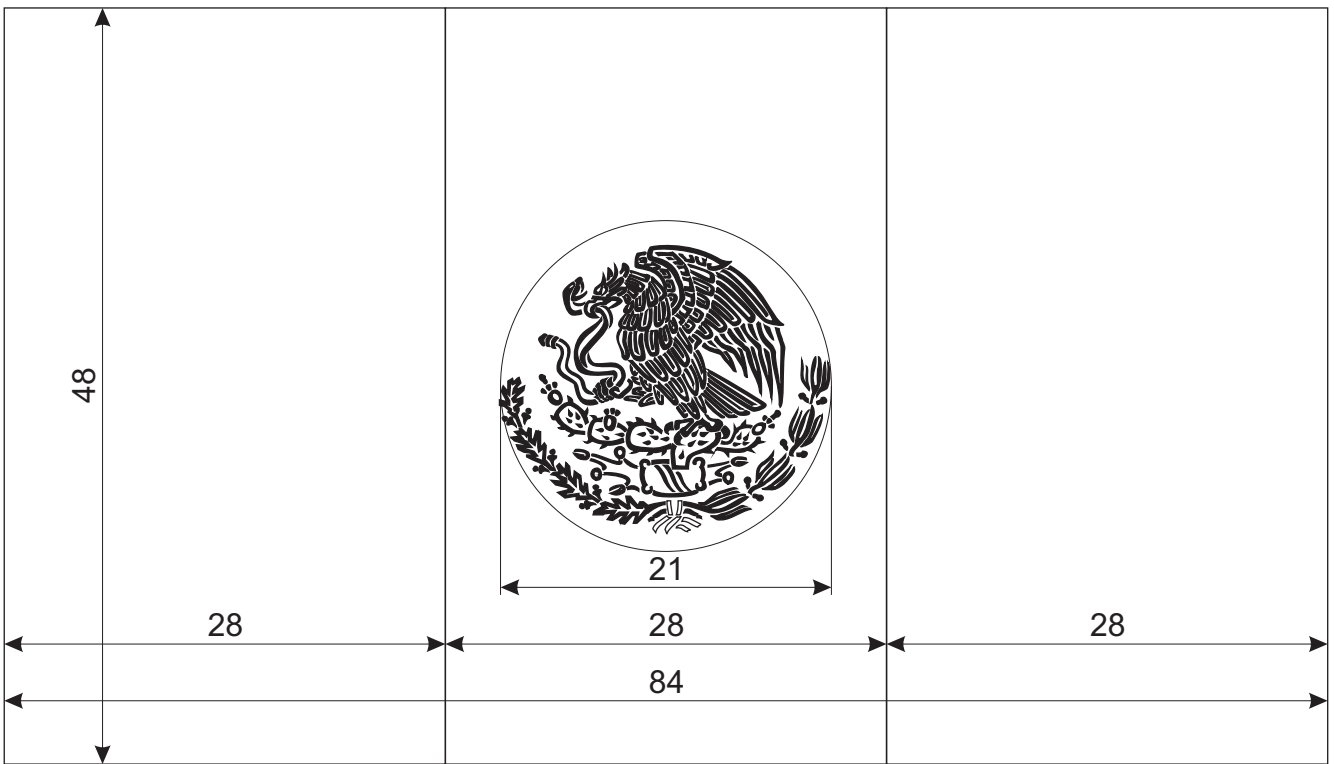
Mauritius

Adopted: 1968

Sources:

FOTW

Article 8, La Constitution de la République Islamique de Mauritanie, Journal Officiel du 30 Juillet 1991, P. 446,
<http://www.mauritania-today.com/francais/constitution.htm>

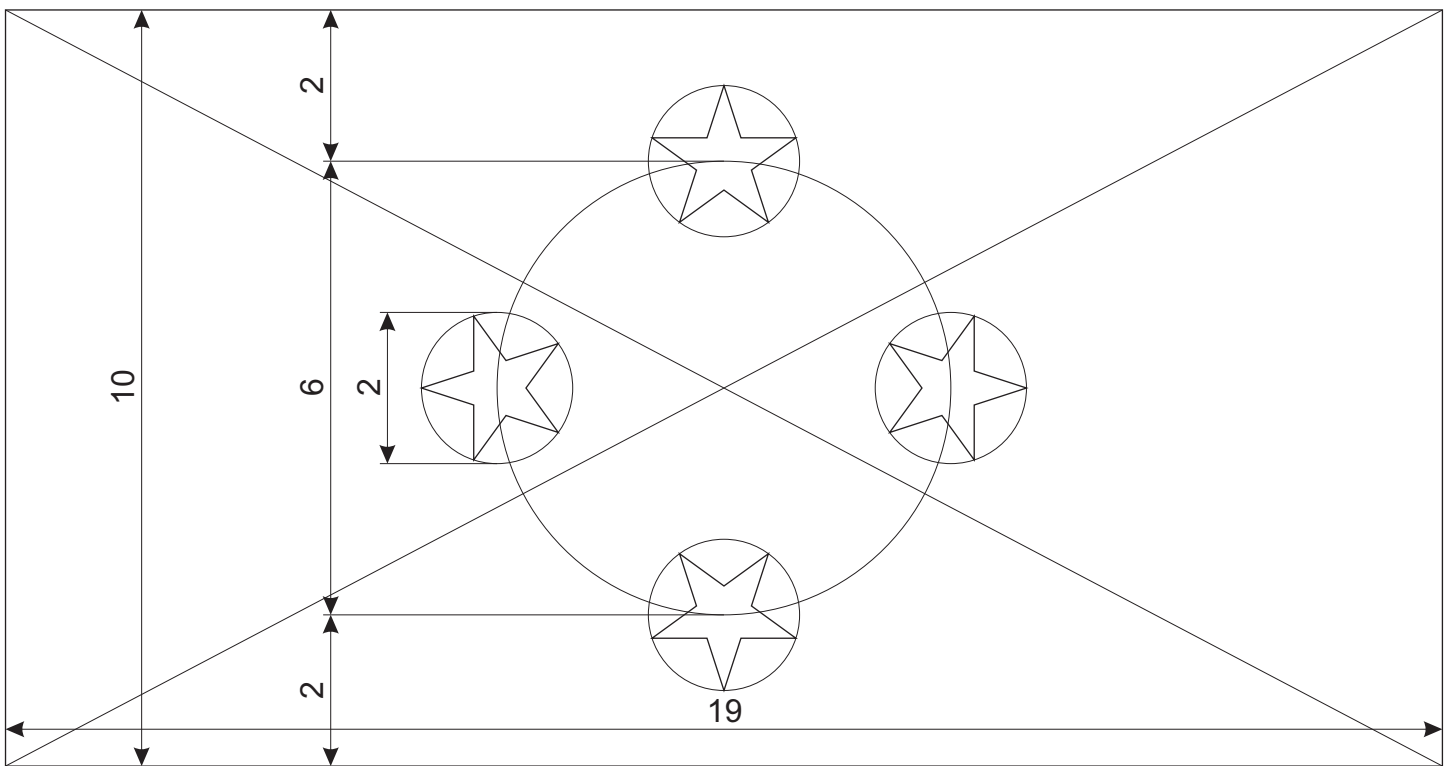


Mexico

Adopted: 1968 (1934, 1916, 1893, 1867, 1823)

Sources:

FOTW



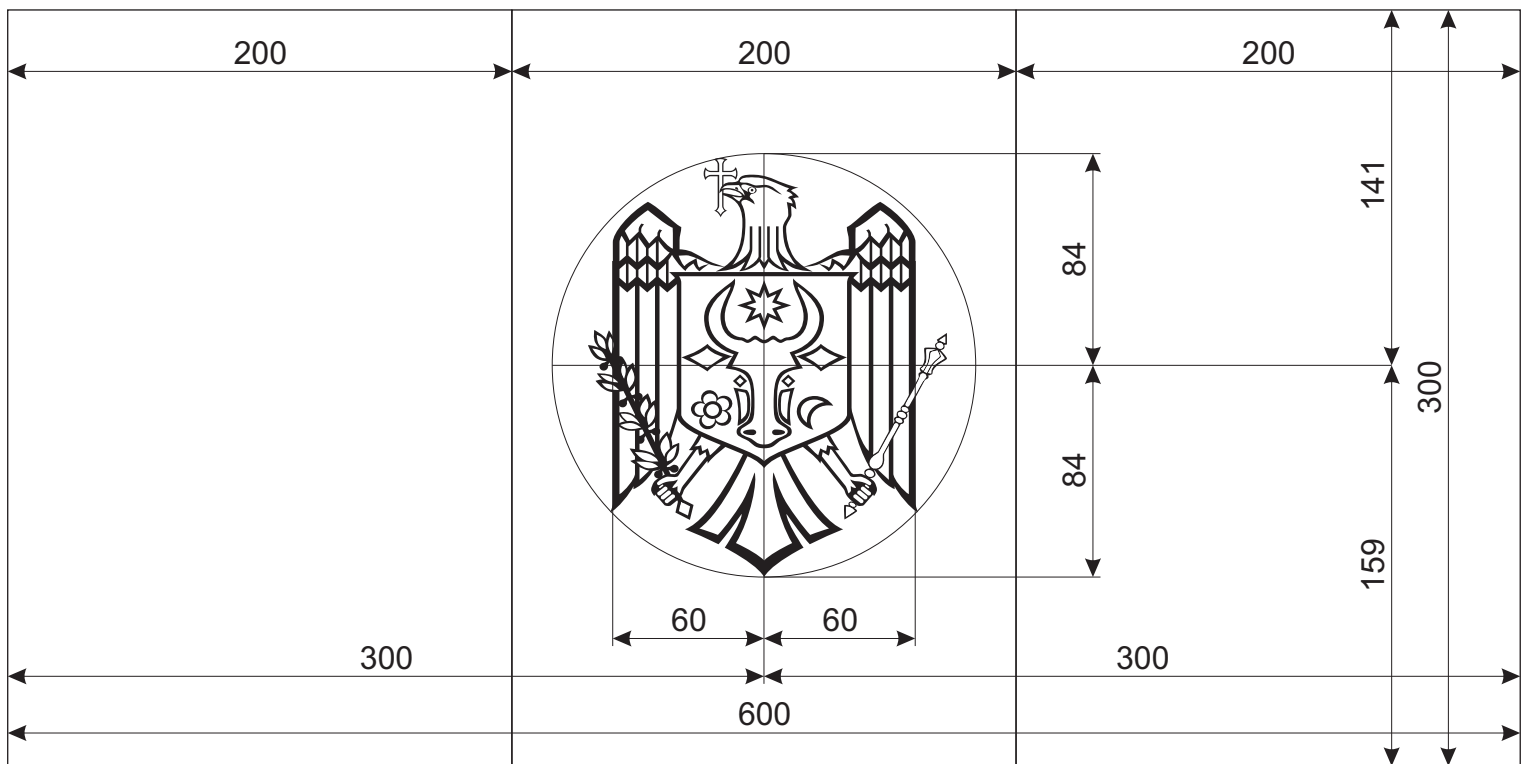
Micronesia

Adopted: 1978 (6-stars 1962)

Sources: * the size of grand circle (6) not explicated

FOTW

SMC, Title 1. General Provisions: Chapter 5: Flag; Source: TT Code 1966 § 15; TT Code 1970, 1 TTC 201; TT Code 1980, 1 TTC 201; PL IC-6 § 1; TT Code 1966 § 16; TT Code 1970, 1 TTC 202; TT Code 1980, 1 TTC 202; PL IC-6 § 2; PL 4-82 § 1. COM PL 7-135 § 1; TT Code 1980, 1 TTC 203; PL IC-6 § 3.
<http://www.fsmlaw.org/fsm/code/title01/t01ch05.htm>



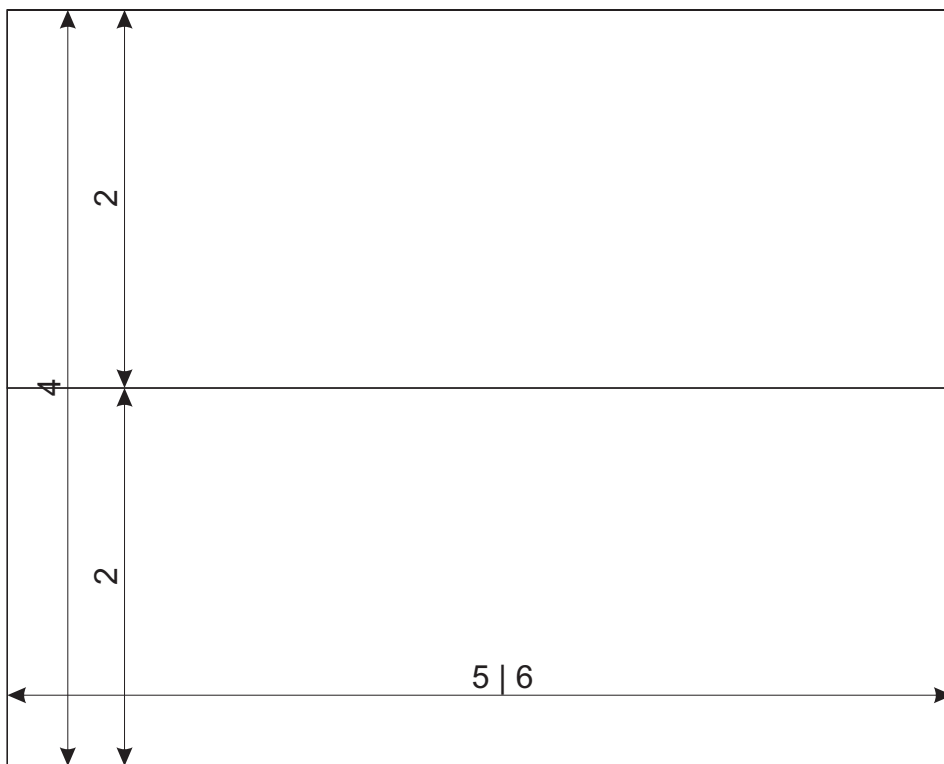
Moldova

Adopted: 1990

Sources:

FOTW

Lege Nr. 217 din 17.09.2010 privind Drapelul de Stat al Republicii Moldova | Закон Nr. 217 от 17.09.2010 о Государственном флаге Республики Молдова, Publicat 26.11.2010 în Monitorul Oficial Nr. 231-234, art Nr : 728 |
 Опубликовано 26.11.2010 в Monitorul Oficial Nr. 231-234 статья № : 728,
<http://lex.justice.md/viewdoc.php?action=view&view=doc&id=336791&lang=1> |
<http://lex.justice.md/viewdoc.php?action=view&view=doc&id=336791&lang=2>



Monaco

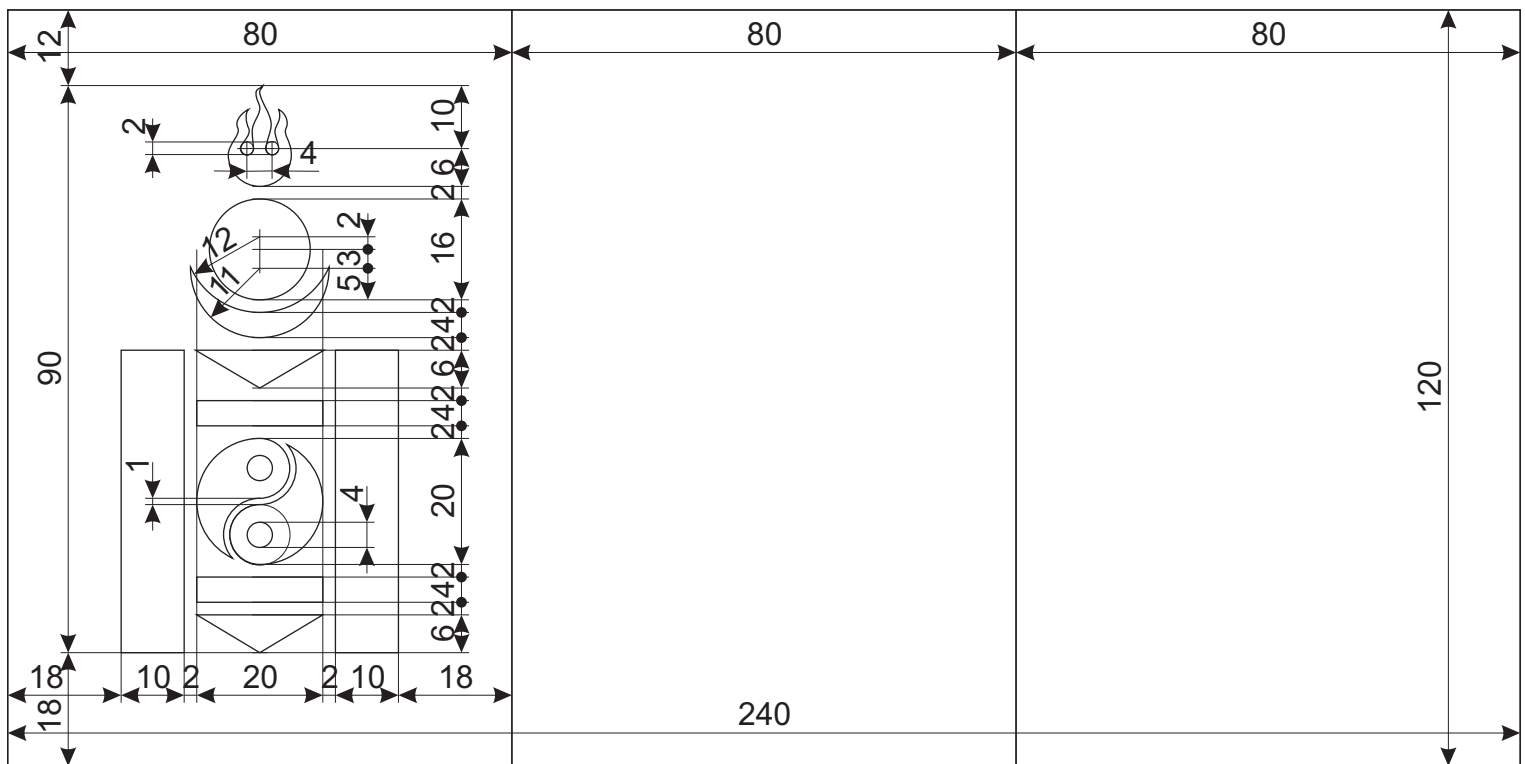
Adopted: 1881

Sources: * 1881 prescriptions state 4:5 ratio, in practice today mostly 2:3

FOTW

Constitution of the Principality of Monaco, adopted on 17 December 1962

L'Ordonnance Souveraine du 4 avril 1881.



Monaco

Adopted: 1992

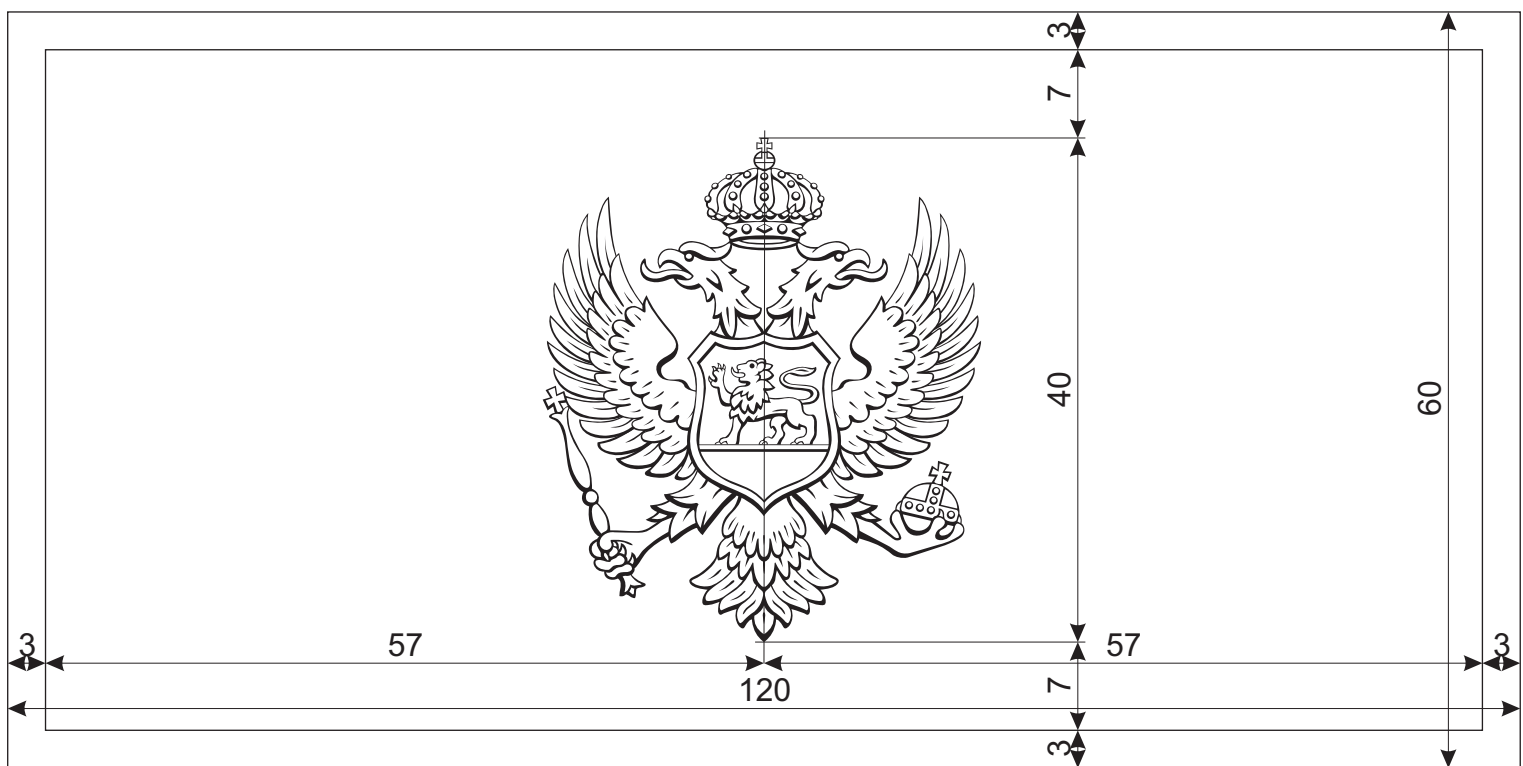
Sources:

FOTW

Constitution of Mongolia (Монгол Улсын Үндсэн Хууль), 13.01.1992.

http://www.servat.unibe.ch/icl/mg00000_.html

Letter from the Embassy of Mongolia, London, 9 Nov 1999 to Jos Poels, Flag Institute.



Montenegro

Adopted: 2004

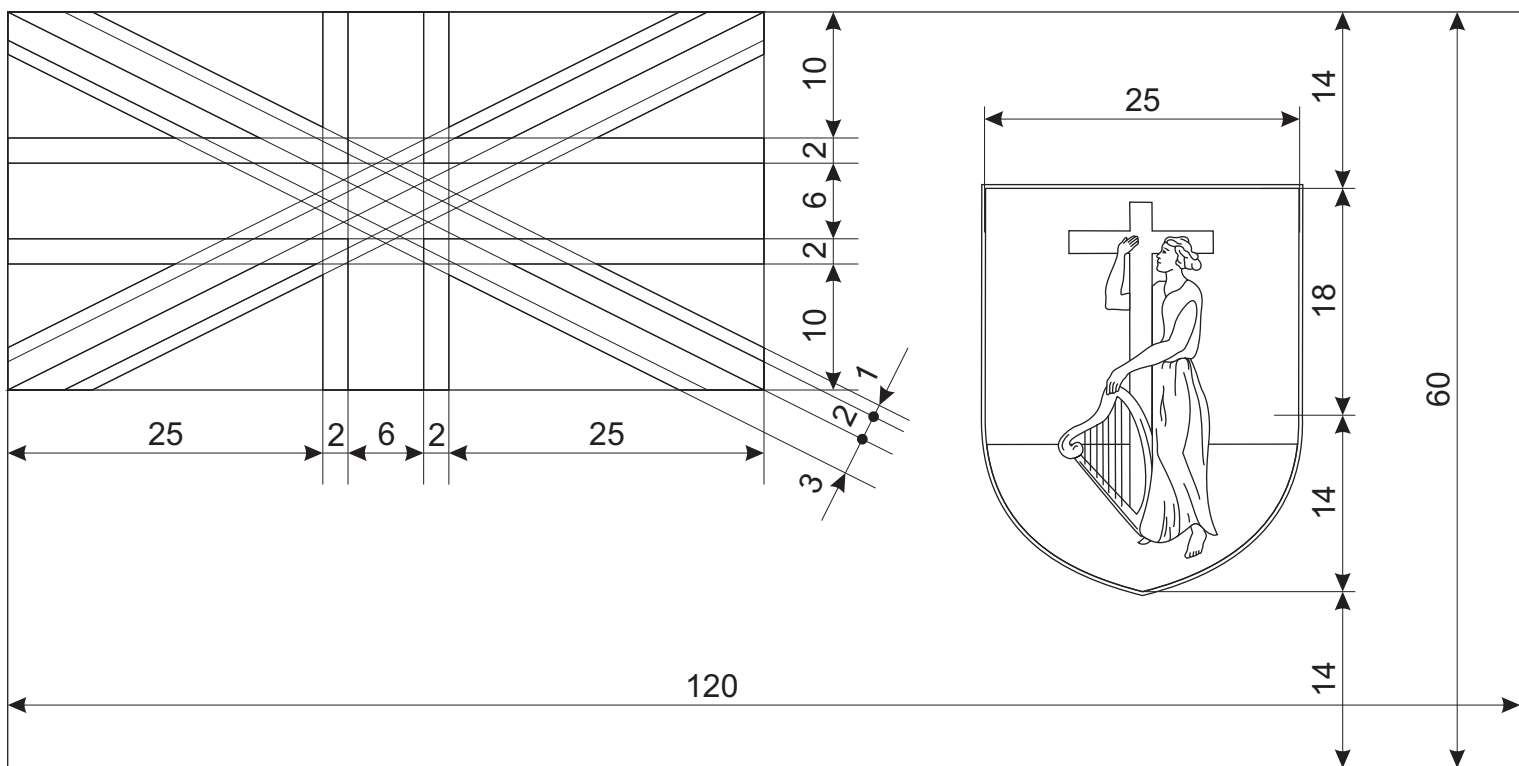
Sources:

FOTW

Zakon o državnim simbolima i Danu državnosti Crne Gore, 12.07.2004, "Službeni list Republike Crne Gore", br. 47/2004

Odluka o utvrđivanju etalona grba Crne Gore, 16.09.2004. "Službeni list Republike Crne Gore", br. 58/2004, 17. 09. 2004. pp. 1-4

Odluka o utvrđivanju etalona zastave Crne Gore, 16.09.2004. "Službeni list Republike Crne Gore", br. 58/2004, 17. 09. 2004. pp. 5-7

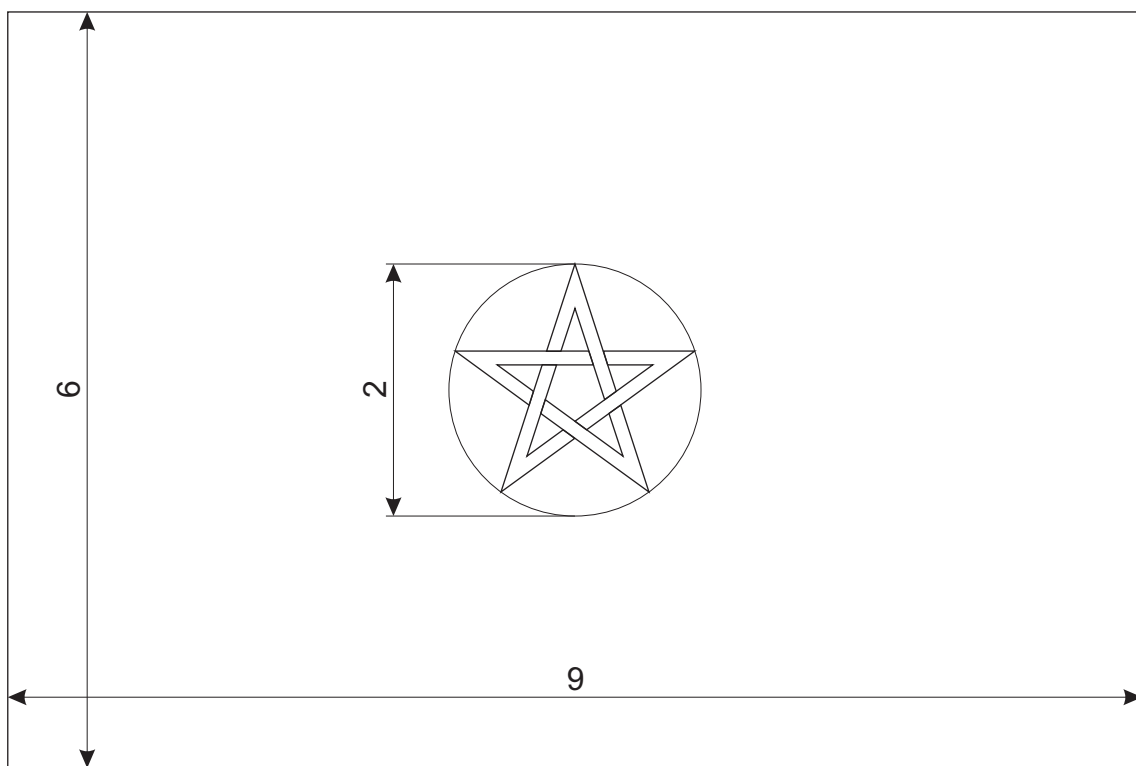


Monserrat

Adopted: 1999 (1909)

Sources:

FOTW, WFD, BR20



Morocco

Adopted: 1915

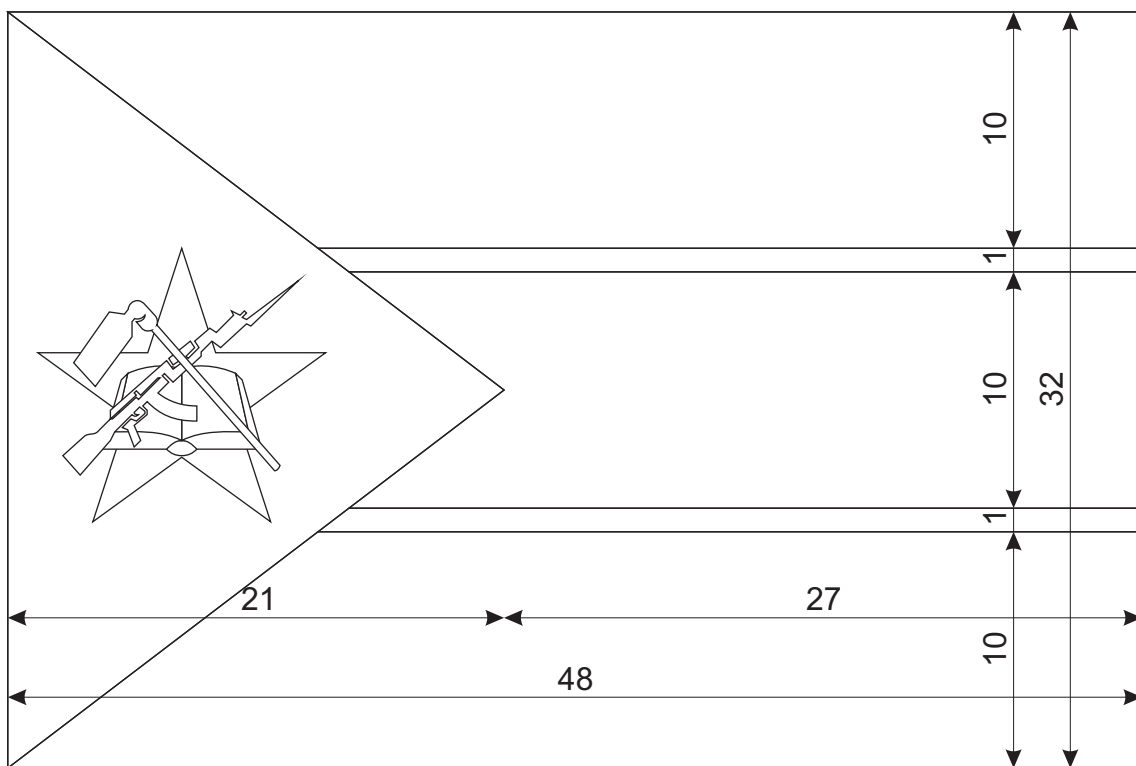
Sources:

FOTW

Dahir du 17 novembre 1915 (9 moharrem 1334) portant description du nouveau drapeau de l'Empire, Bulletin officiel de l'Empire chérifien : Protectorat de la République française au Maroc, no 162, 29 novembre 1915, p. 838,

http://www.sgg.gov.ma/BO/bulletin/Fr/1915/Bo_162_fr.pdf

1956 ???



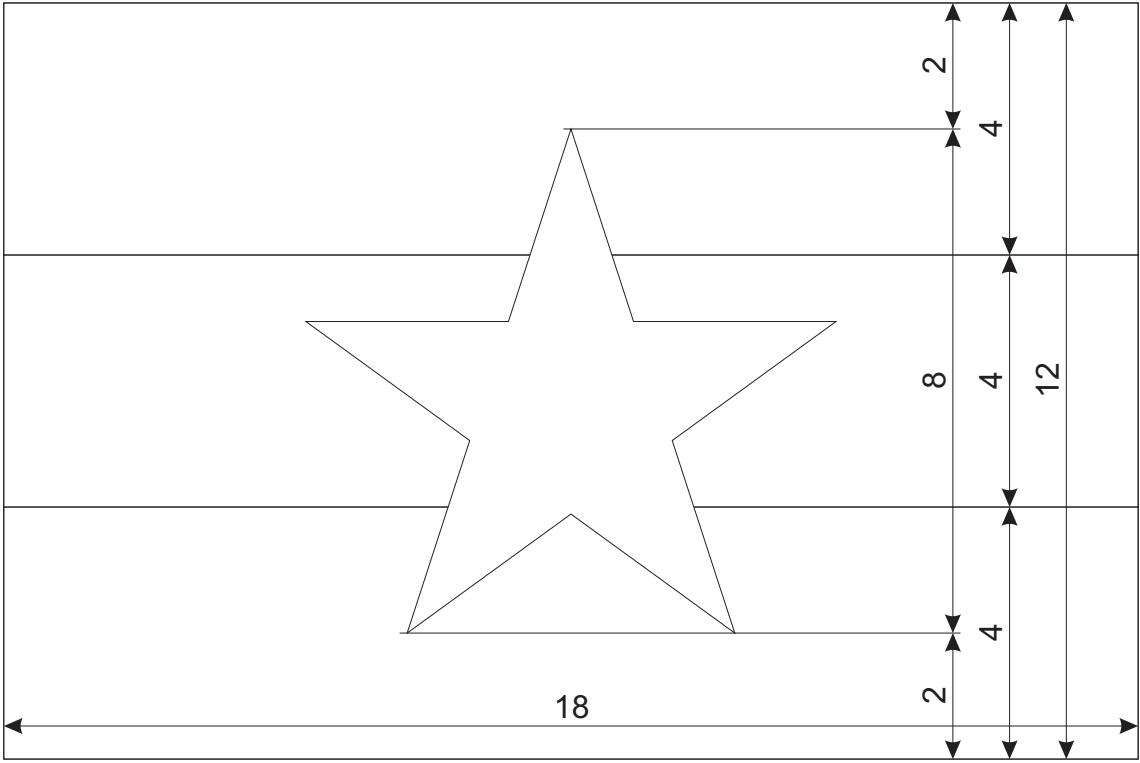
Mozambique

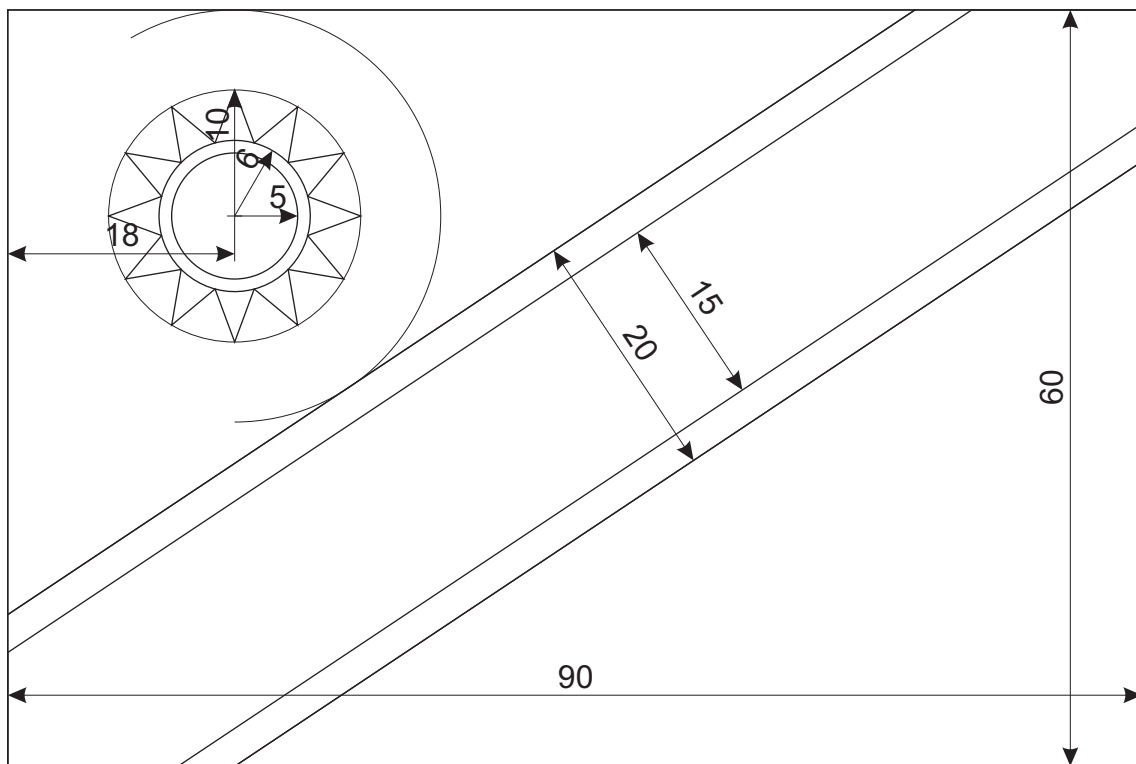
Adopted: 1983

Sources: * construction details according to Album

FOTW

Album des pavillons





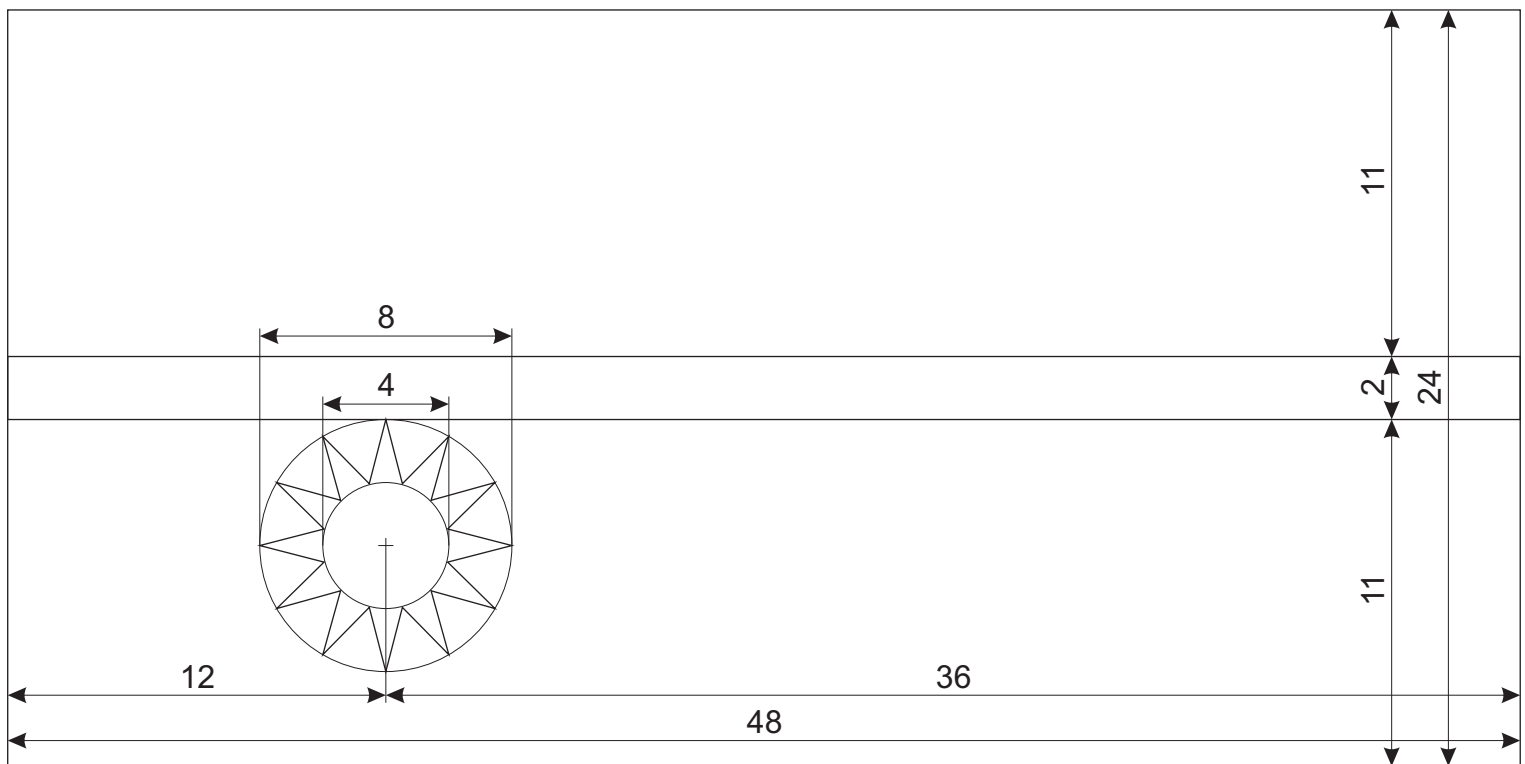
Namibia

Adopted: 1990

Sources:

FOTW

The National Flag of Namibia, General Policy for use of the flag by the public, Ministry of Information, 1990.
Chapter One, Schedule 6 of the Constitution, 9 February 1990. <http://www.lac.org.na/laws/pdf/namcon.pdf>



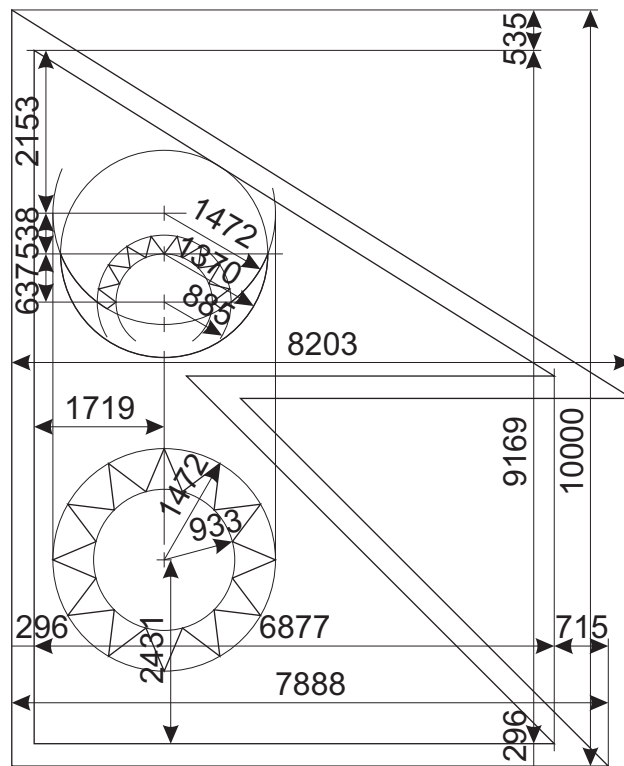
Nauru

Adopted: 1968

Sources:

FOTW

Republic of Nauru Flag Specifications, 31 May 1968.



Nepal

Adopted: 1962

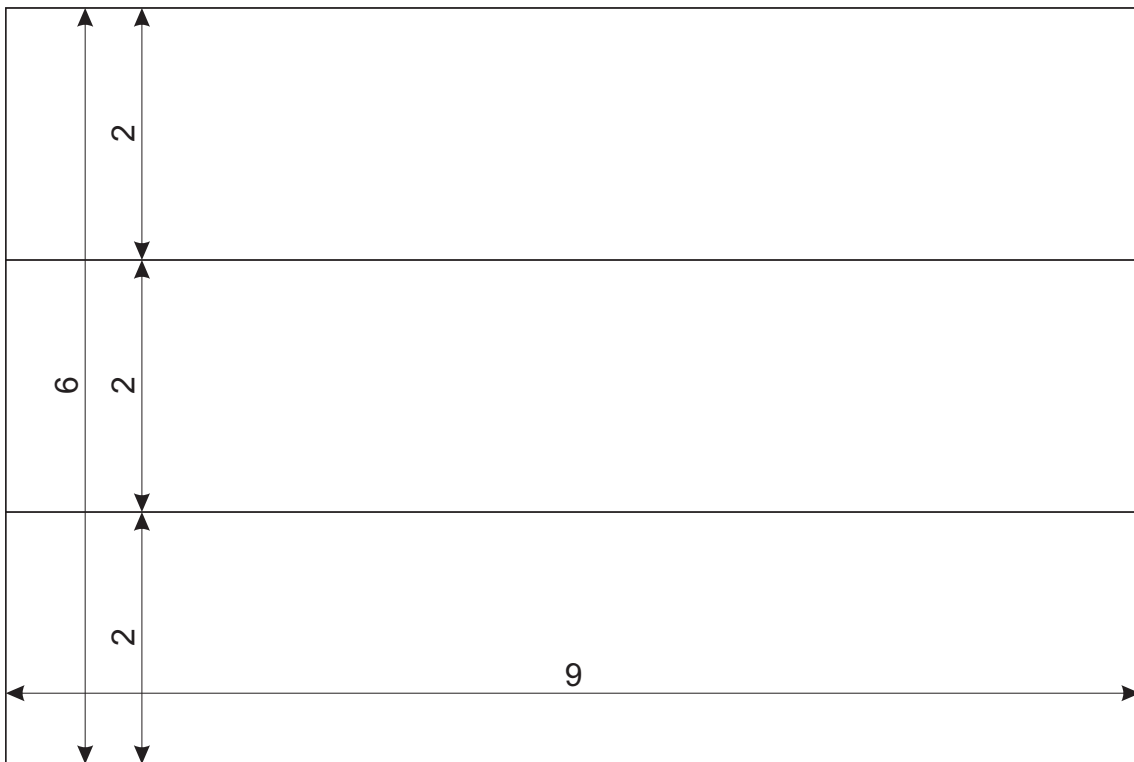
Sources: * dimensions approximated from exact geometric construction defined in the Constitution

FOTW

Interim Constitution of Nepal, 2063 (2007), http://www.worldstatesmen.org/Nepal_Interim_Constitution2007.pdf

Constitution of the Kingdom of Nepal, 2047 (1990),

<http://www.supremecourt.gov.np/main.php?d=lawmaterial&f=constdef2047>



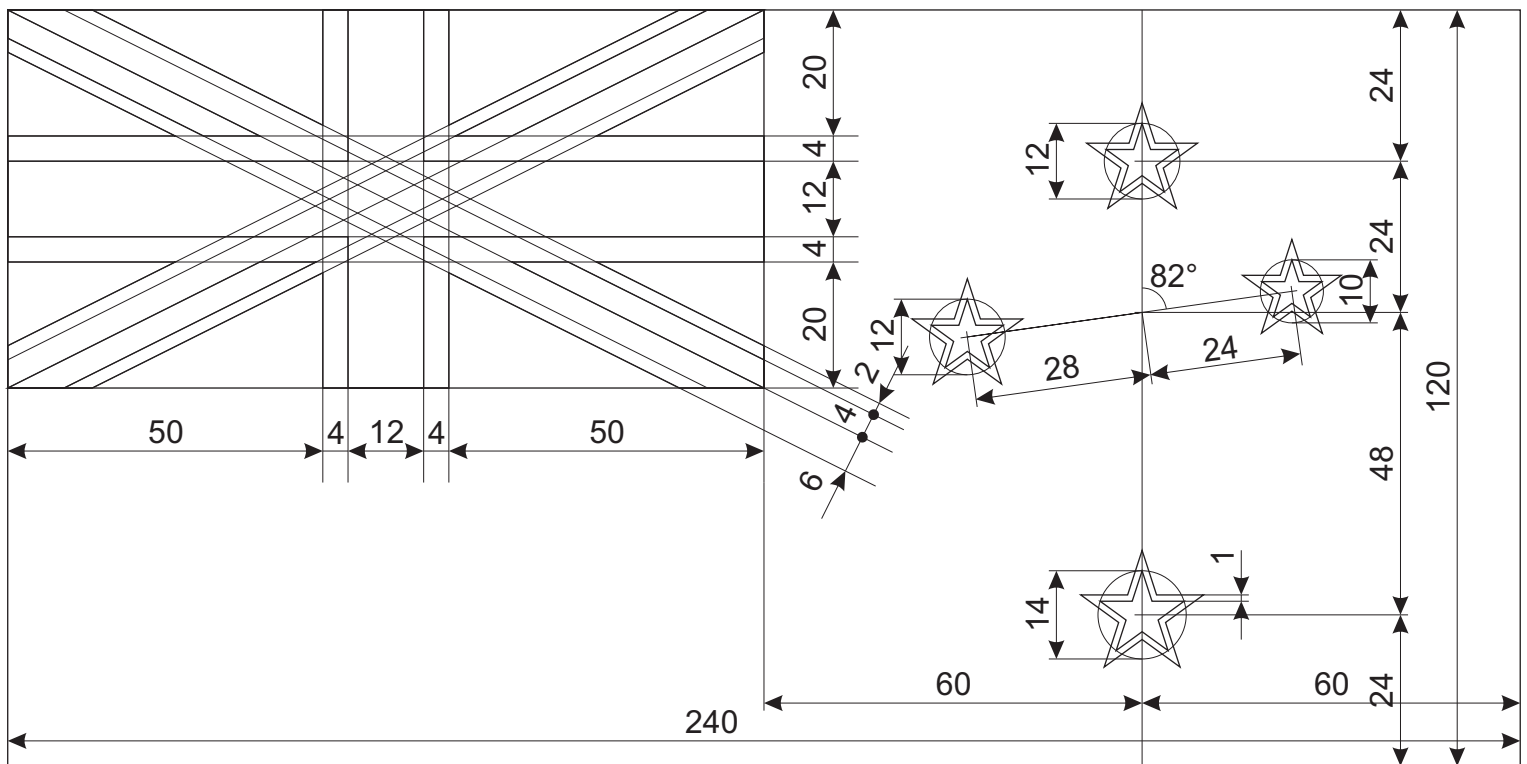
Netherlands

Adopted: 1937 (1813, in use since 1572)

Sources: * dimension customary

FOTW

Koninklijk Besluit nr. 93, Zell am See, 19 Februari 1937.



New Zealand

Adopted: 1902

Sources:

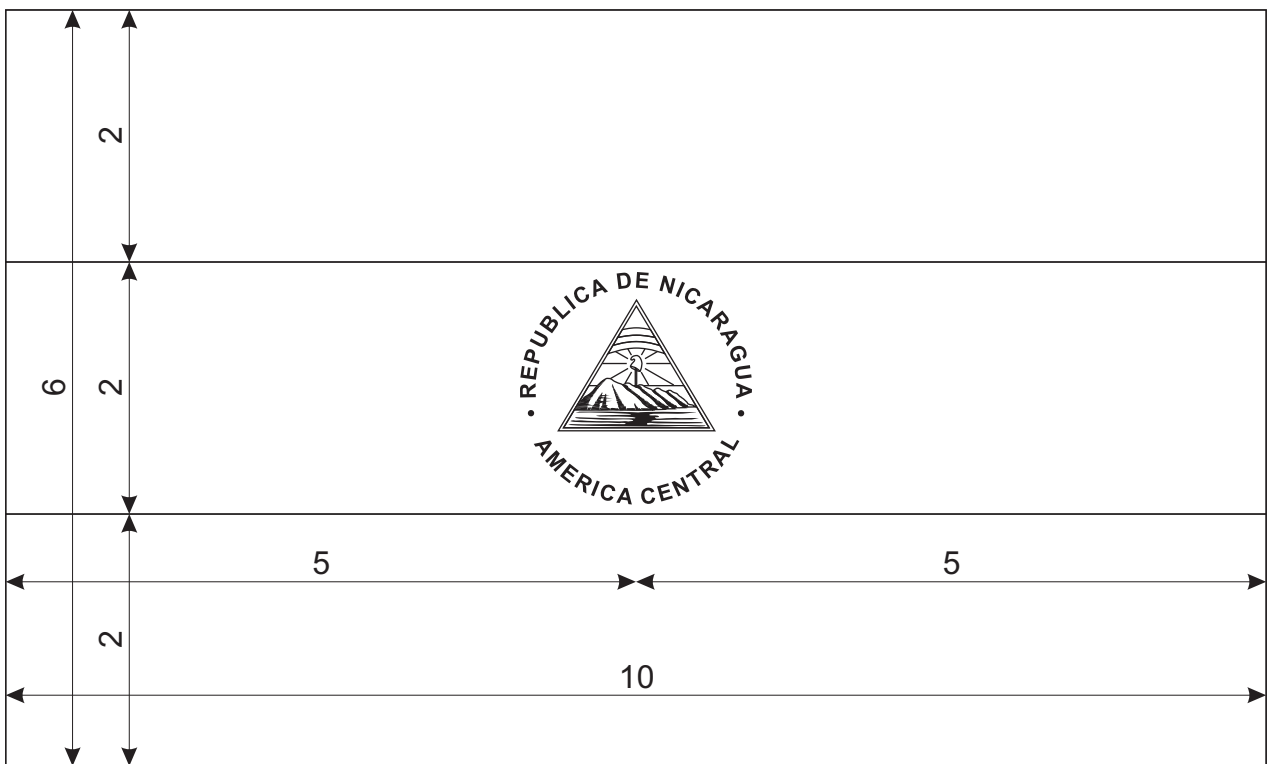
FOTW

Notice, New Zealand Gazette on 27 June 1902.

Flags, Emblems, and Names Protection Act 1981, Public Act 1981 No 47, Date of assent 15 October 1981, Reprinted as at 7 July 2010,

<http://www.legislation.govt.nz/act/public/1981/0047/latest/096be8ed805c01cc.pdf>

f

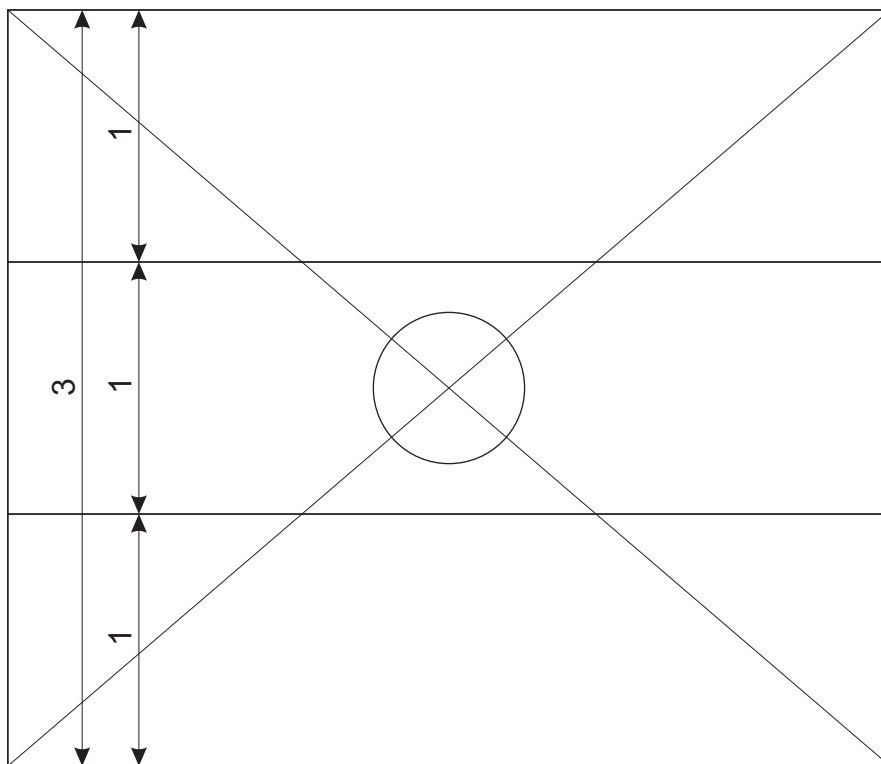


Nicaragua

Adopted: 1971 (1908)

Sources:

FOTW



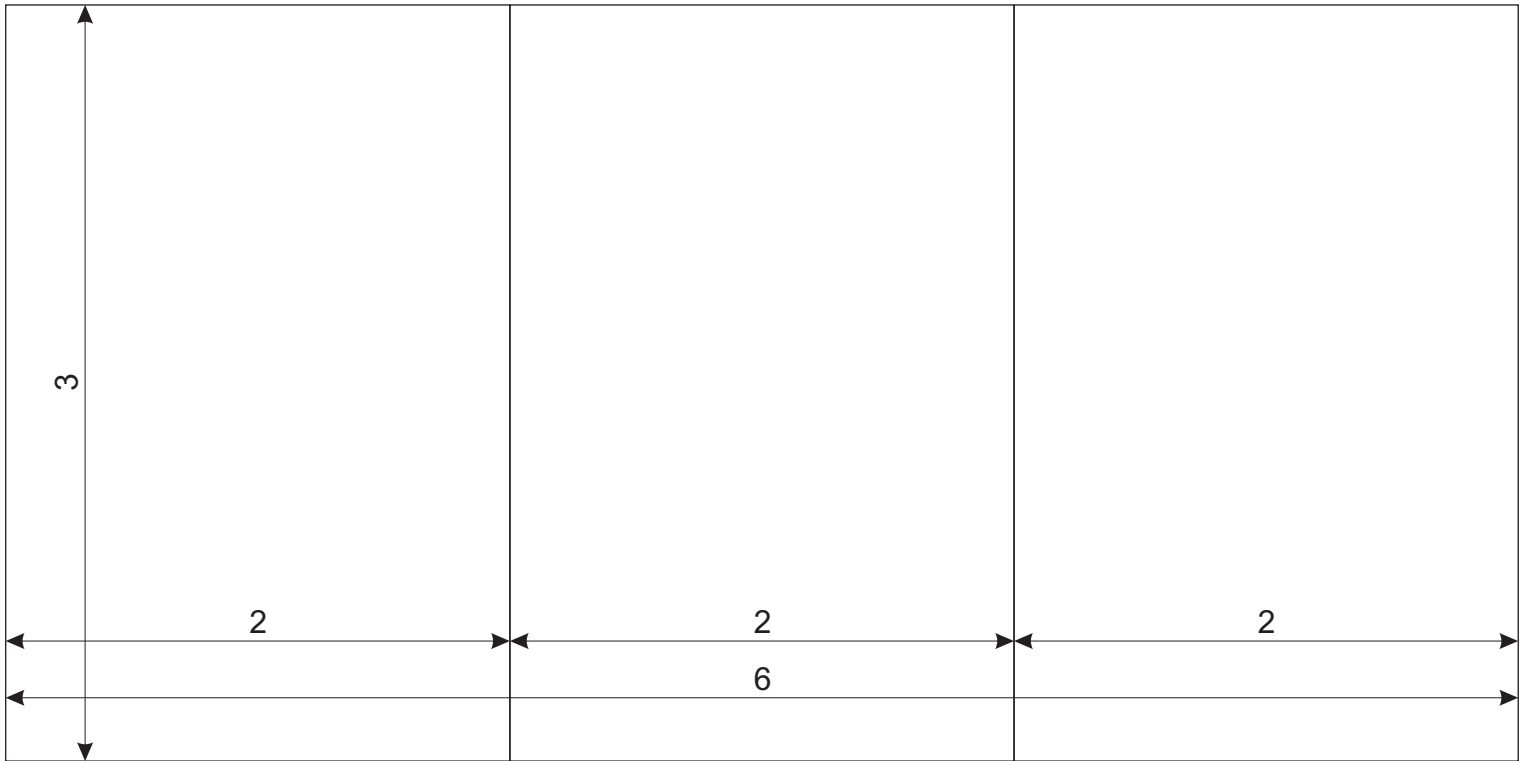
Niger

Adopted: 1959

Sources: * ratio of flag and size of disk undefined

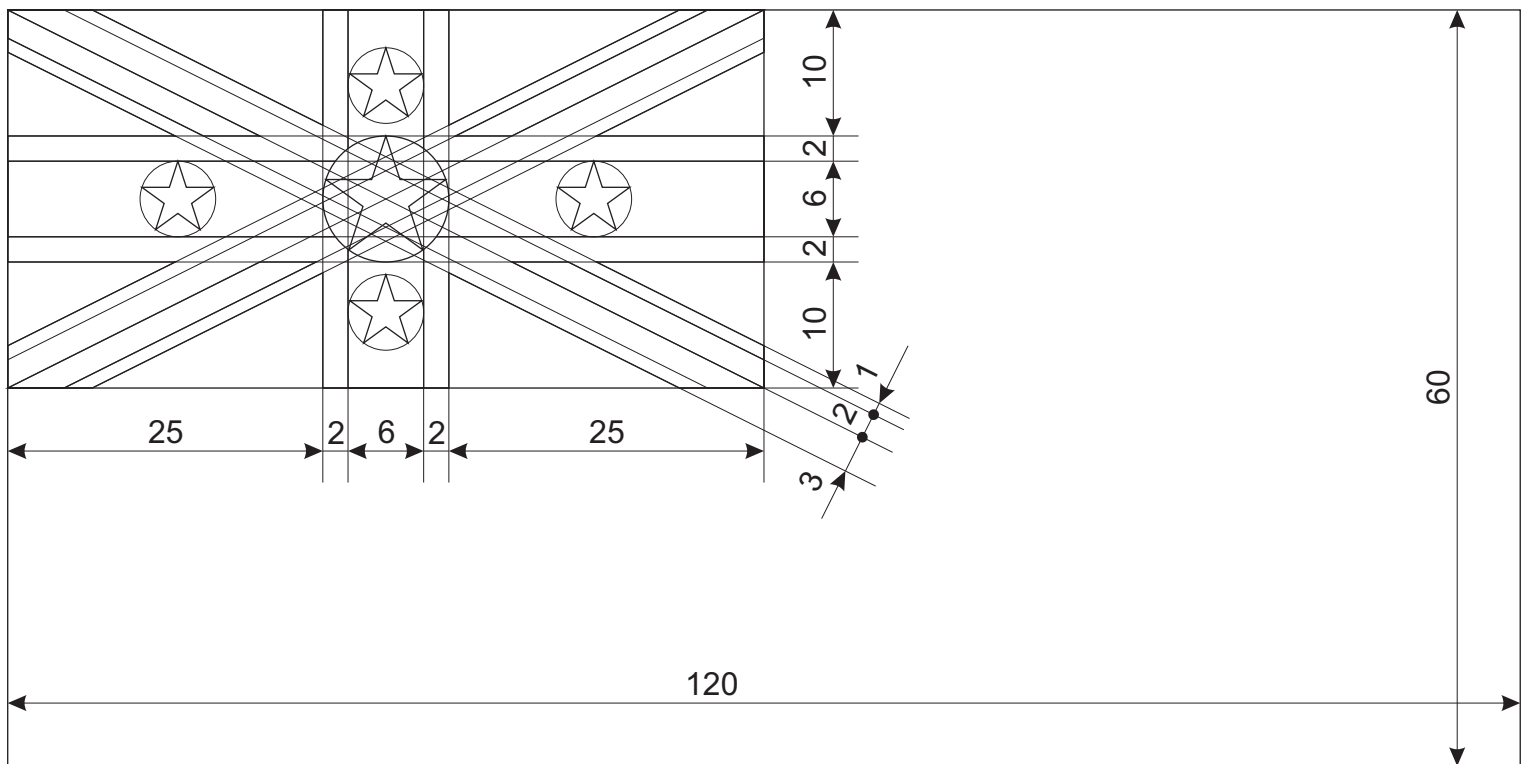
FOTW

Actes du Gouvernement de la Republique du Niger No, 59-1, 23.11.1959, Journal Officiel de la Republique du Niger No. 1, 01.01.1960



Nigeria

Adopted: 1960
Sources:
FOTW
!!!



Niue

Adopted: 1975

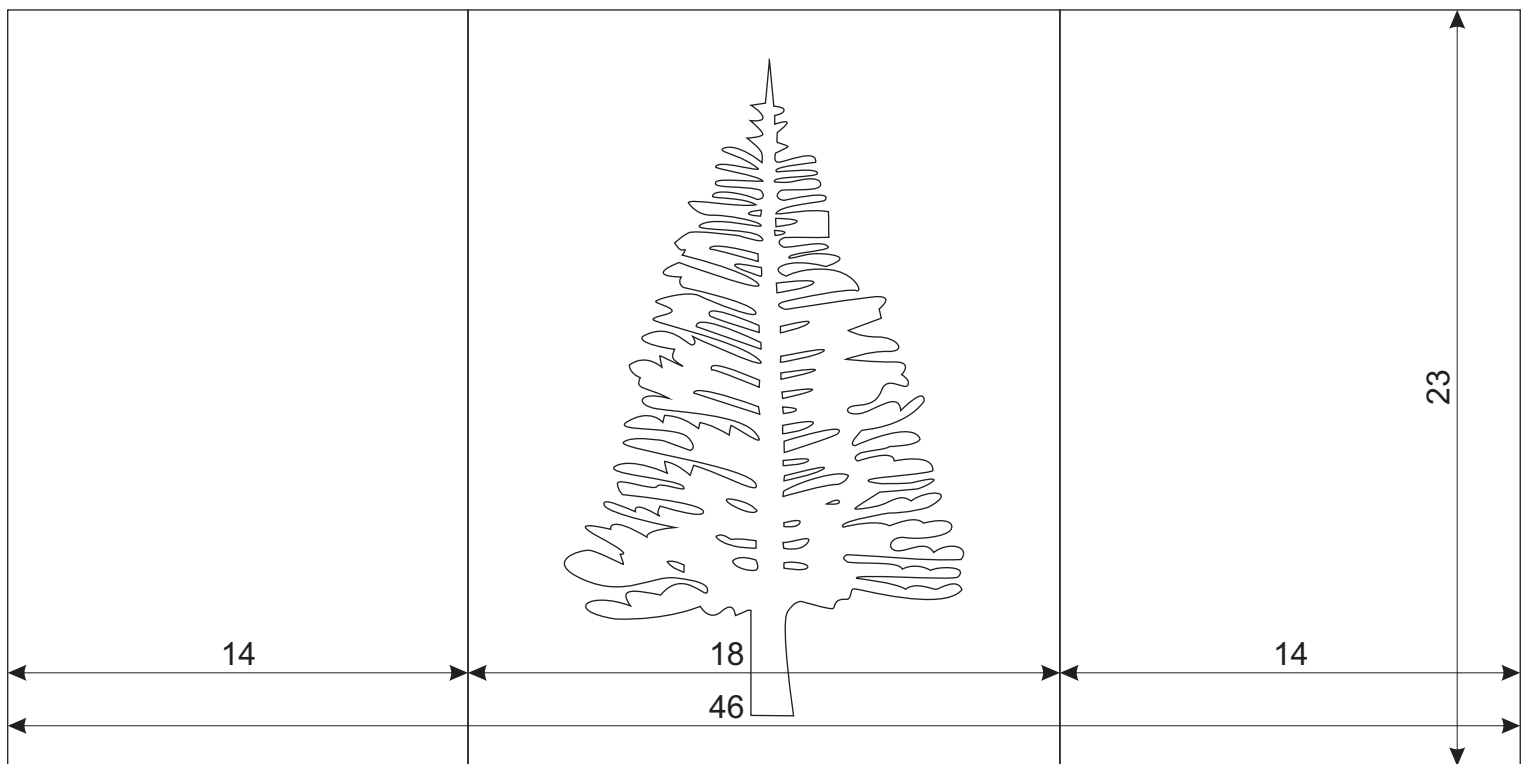
Sources:

FOTW

Niue Flag Act 1975, 1975/16 – 1975 (Niue Laws | Tau Fakatufono-tohi a Niue, Legislation as at December 2006, Volume 3 | Tohi 3, Statutes, N-Z, Government of Niue, Alofi, 2006, pp. 1365-1366,

<http://www.gov.nu/wb/media/Volume%203.pdf>)

Customs Act 1966, 1966/19 – 1 January 1967 (Niue Laws | Tau Fakatufono-tohi a Niue, Legislation as at December 2006, Volume 2 | Tohi 2, Statutes, Constitutional-M, Government of Niue, Alofi, 2006, pp. 641-716,



Norfolk Island

Adopted: 1979

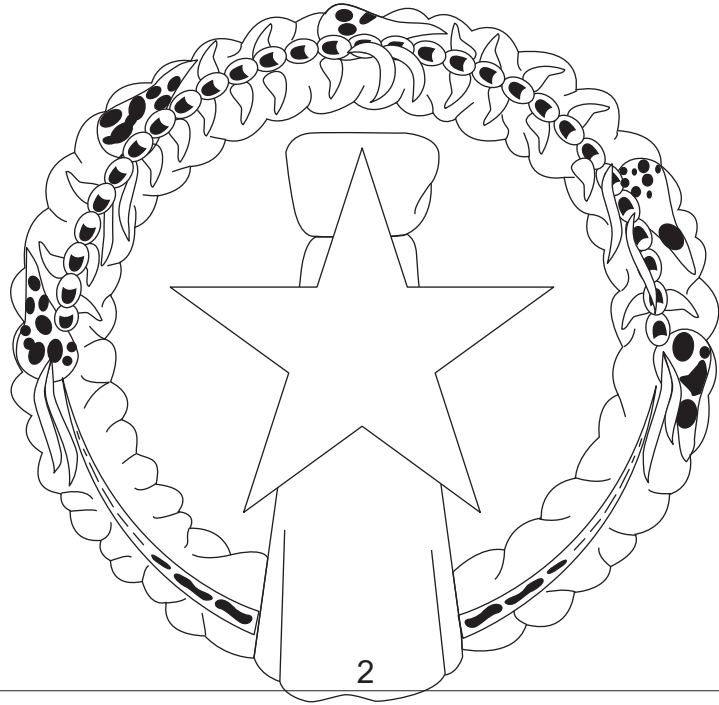
Sources: * tree dimension unspecified

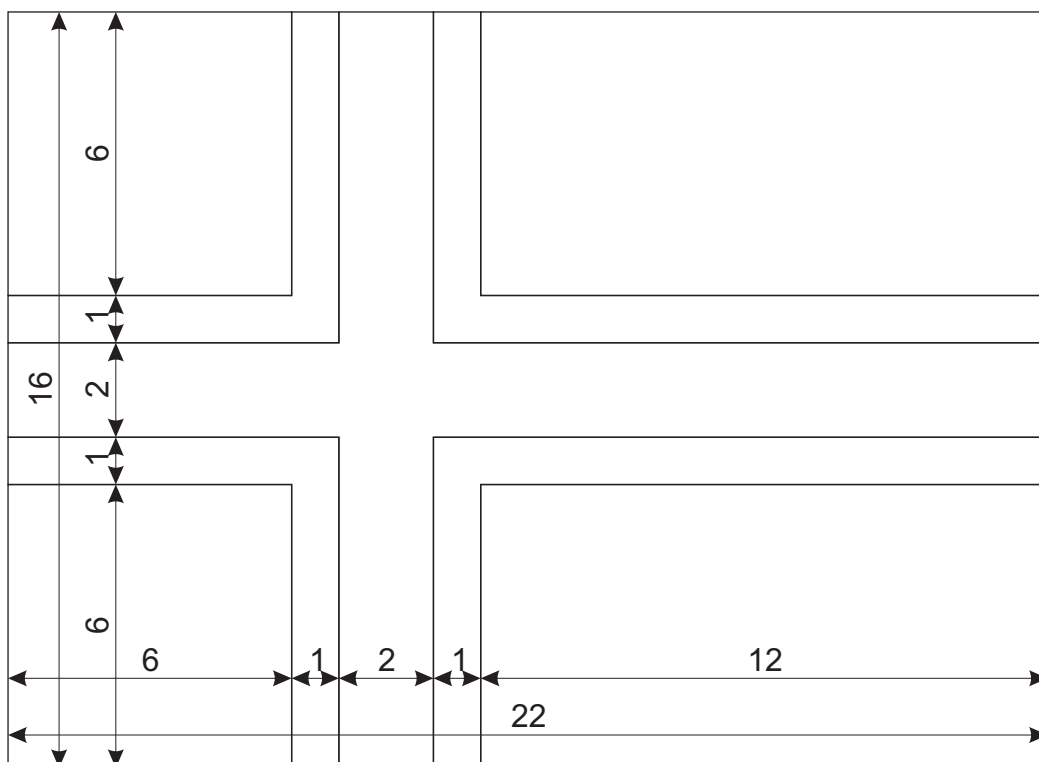
FOTW

Norfolk Island Flag and Public Seal Act 1979, [Consolidated as at 1 May 1993
on the authority of the Administrator

and in accordance with the Enactments Reprinting Act 1980],

<http://www.info.gov.nf/legislation/ConsolidatedActs/NorfolkIslandFlagandPublicSealAct1979.doc>





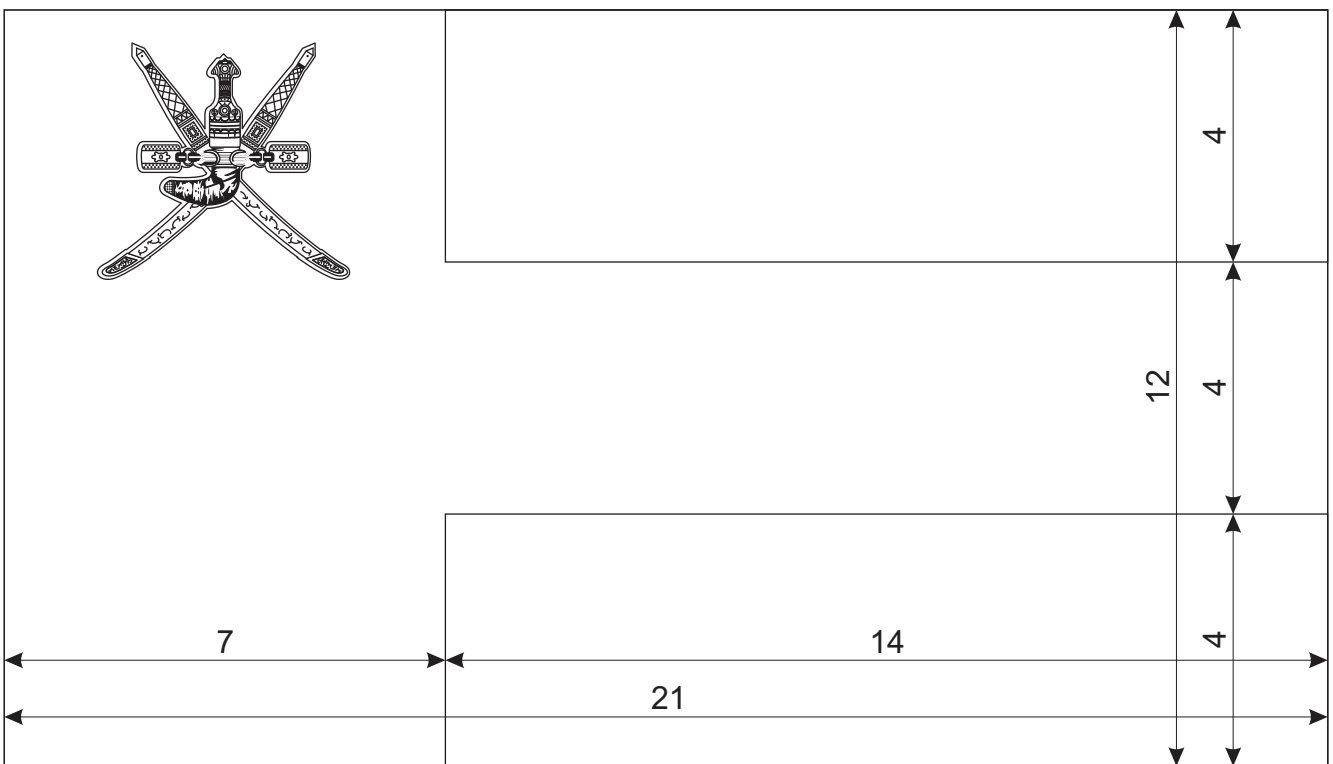
Norway

Adopted: 1899 (1821)

Sources:

FOTW

Lov 1898-12-10 nr 01: Lov om Norges Flag, <http://www.lovdato.no/cgi-wift/ldles?doc=/all/nl-18981210-001.html>



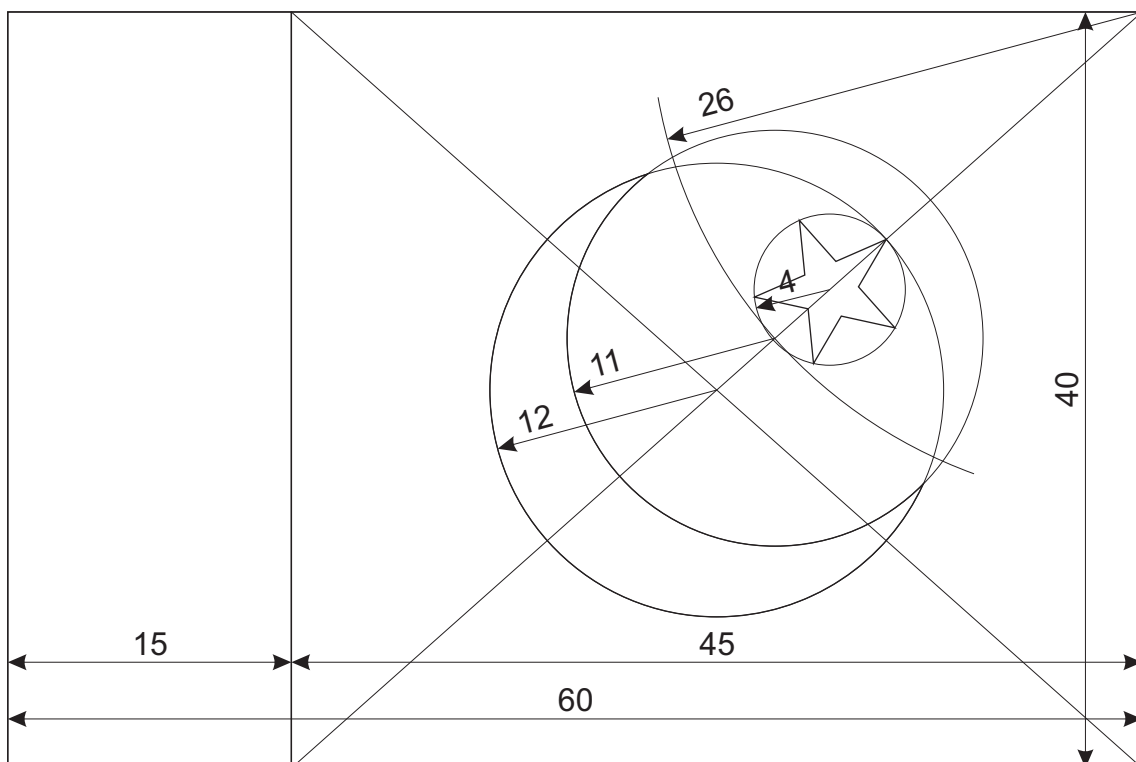
Oman

Adopted: 1995 (1970)

Sources: * flag ratio varies for diff. uses, equal horizontal stripes and vertical of 1/3 the length should be retained, size of emblem not prescribed

FOTW

Law on the State Flag, Emblem and National Anthem, 1 June 2004 and Royal Decree No. 53/2004, 22 May 2004 (quoted on FOTW)



Pakistan

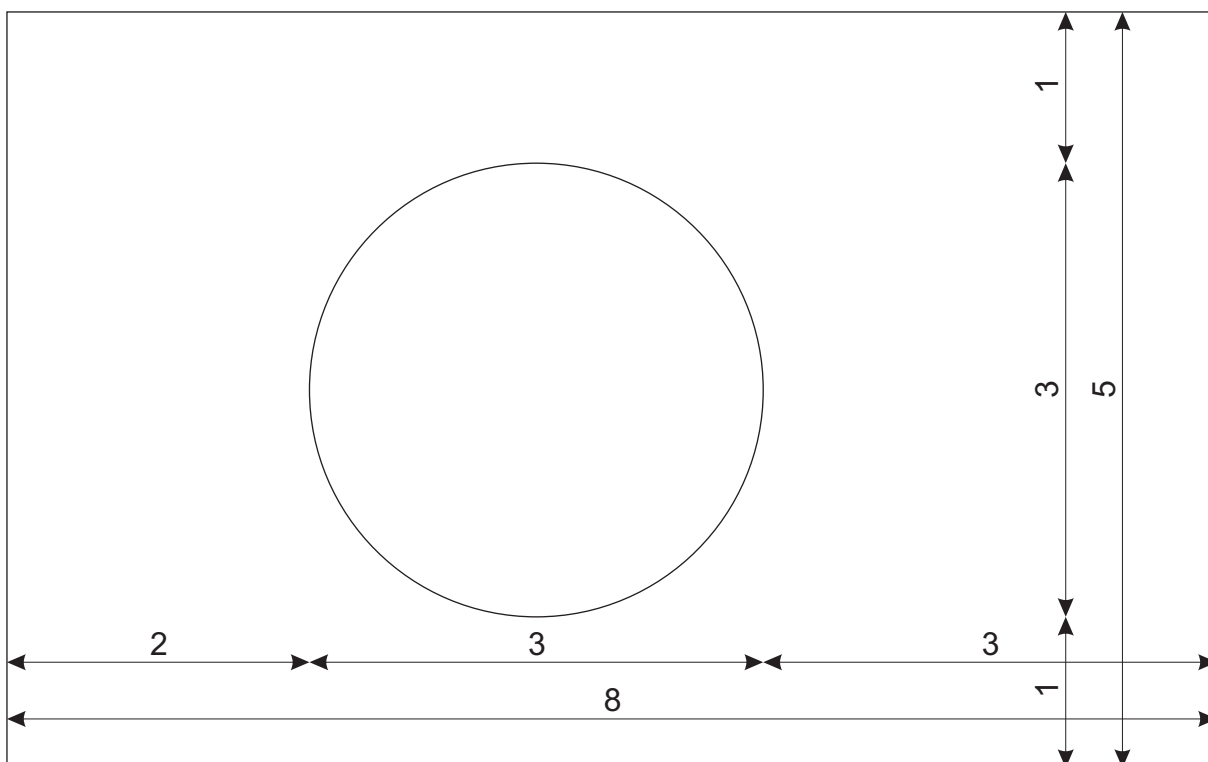
Adopted: 1947

Sources: * naval ensign uses diff. proportions, ratio 1:2

FOTW

(Pakistan Standard PS 1700-1985 National Flag of Islamic Republic of Pakistan)

Pakistani flag, a Resolution Passed by Constituent Assembly (pre-1998?), <http://www.pakistani.org/pakistan/flagspec.html>



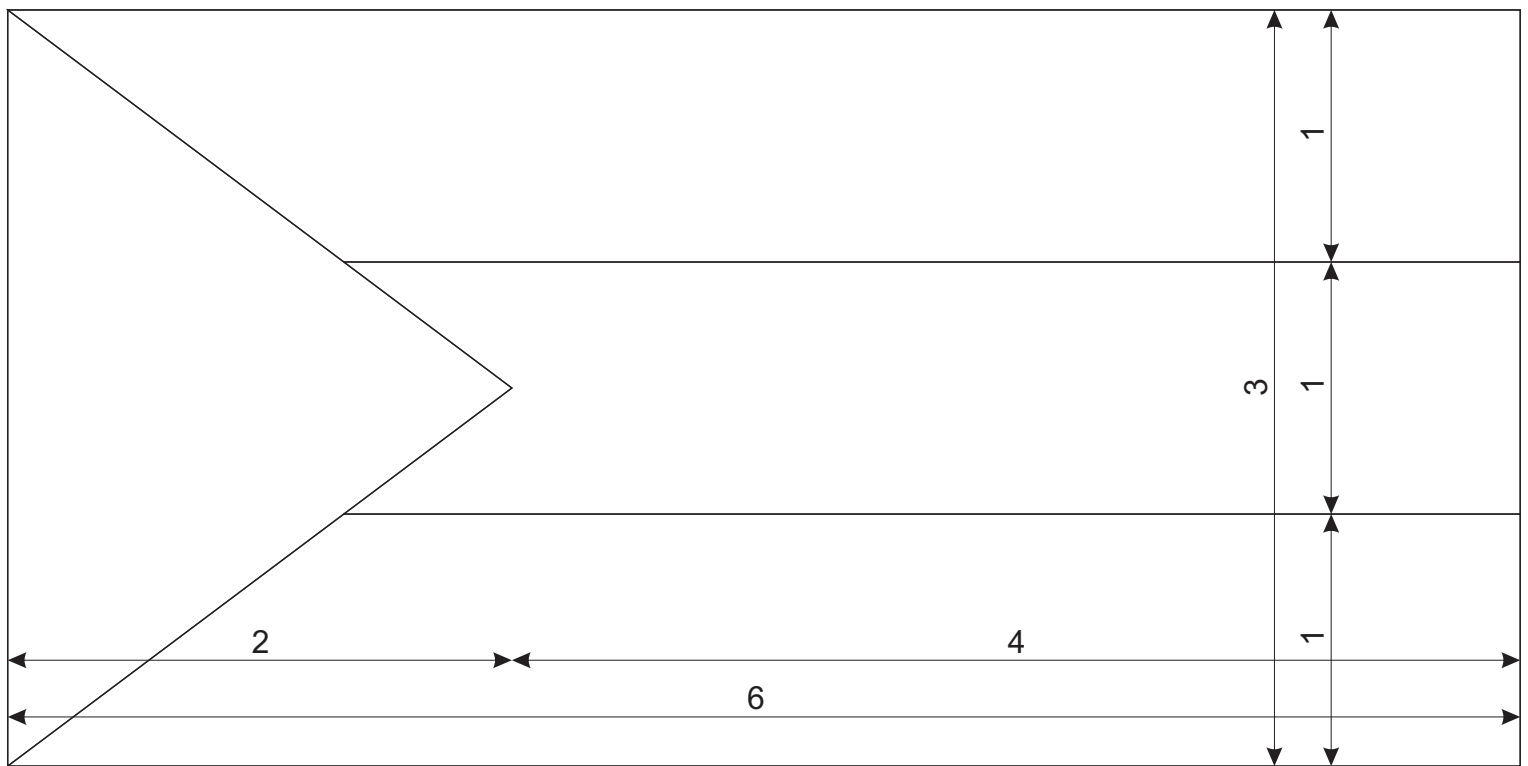
Palau

Adopted: 1981 (1980)

Sources:

FOTW

The Palau Flag Act, the Seventh Palau Legislature (sixth regular session) (An Act to provide for the Flag of the Republic of Palau), Public Law No. 7-6-2 (Bill 7-230, D7) 18 September 1980, approved 22 October 1980.



Palestine

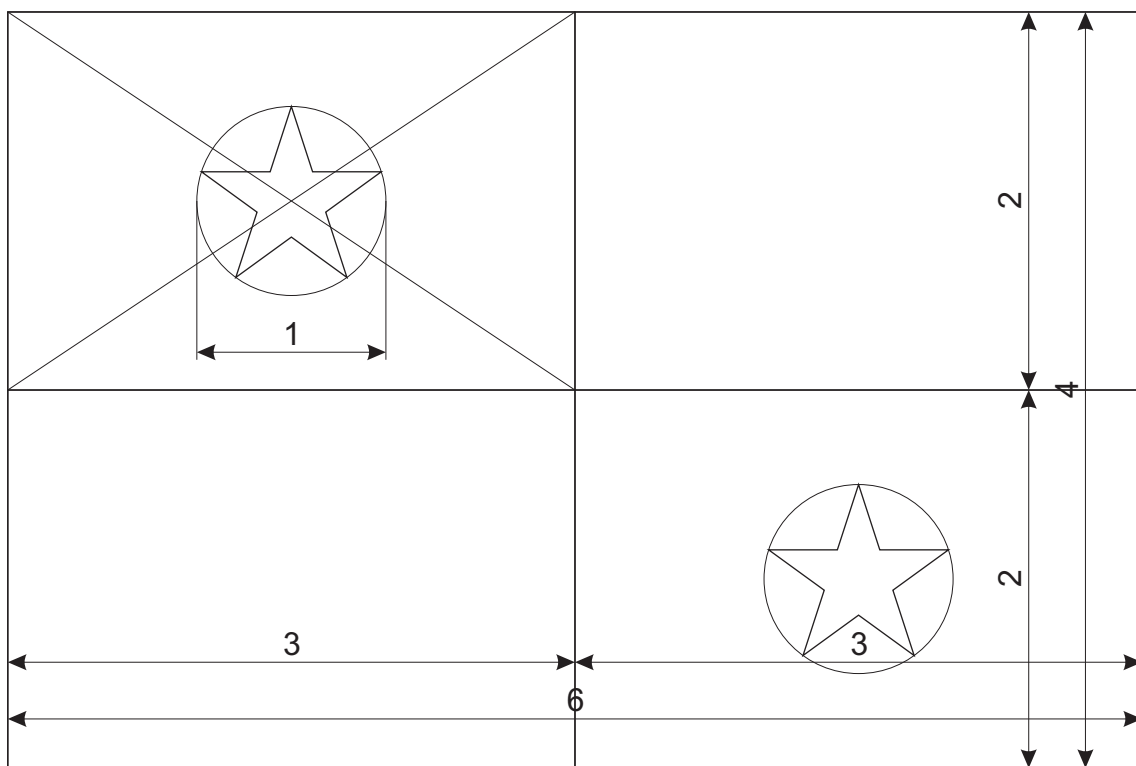
Adopted: 2006 (2005, 1964 - shorter triangle)

Sources:

FOTW

The Law of the sanctity of the Palestinian flag number (22) for year 2005, 22.12.2005, <http://muqtafi.birzeit.edu/pg/getleg.asp?id=15137>

Law No. (5) of 2006 amending some provisions of the Law of the sanctity of the Palestinian flag number (22) for year 2005, 17.02.2006, <http://muqtafi.birzeit.edu/pg/getleg.asp?id=15212>



Panama

Adopted: 1904

Sources:

FOTW

Ley 64 de 1904 por la cual se adopta provisionalmente el escudo de armas y la bandera de la Republica de Panama, y se llama a un concurso, Asamblea Nacional, 04/06/1904, Gaceta 29, 15/06/1904,

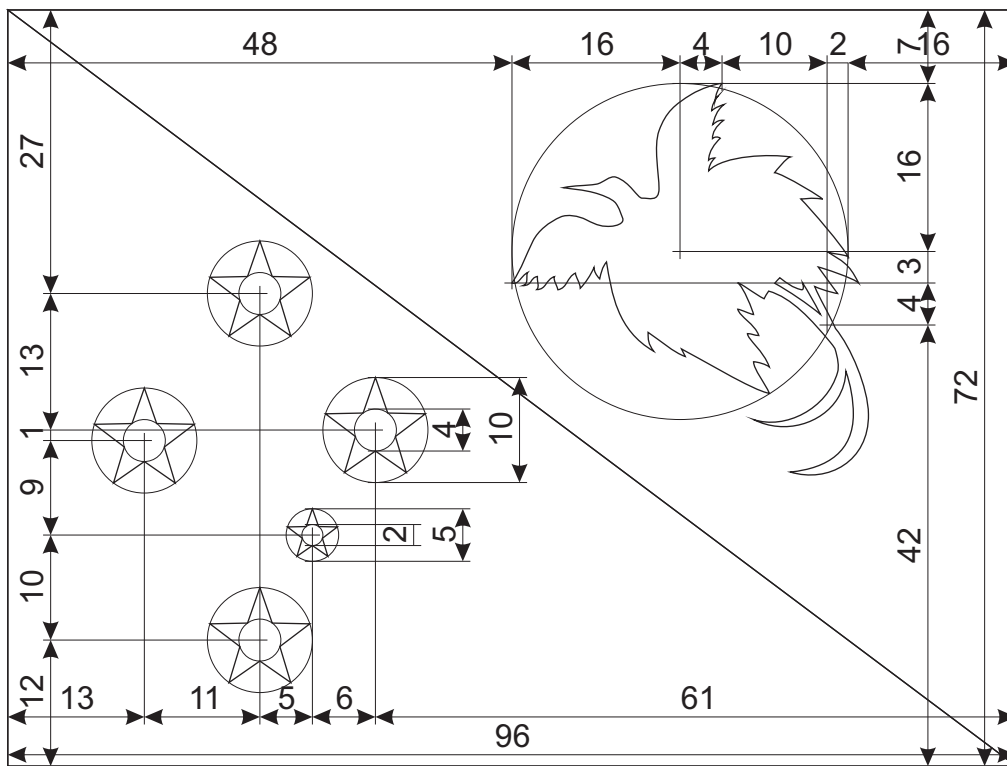
http://www.asamblea.gob.pa/APPS/LEGISPAN/PDF_GACETAS/1903/1904/00029_1904.PDF

Ley 48 de 1925 por la cual son adoptados definitivamente el escudo de armas, la bandera de la Republica y el himno nacional, y se dictan algunas medidas relacionadas con el aniversario de nuestra independencia, Asamblea Nacional, 10/03/1925, Gaceta 4601, 25/03/1925,

http://www.asamblea.gob.pa/APPS/LEGISPAN/PDF_NORMAS/1920/1925/1925_097_0722.PDF

Ley 28 de 1941 por la cual se adoptan la bandera, el himno y el escudo de armas de la Republica, Asamblea Nacional, 28/03/1941, Gaceta 8483, 02/04/1941,

http://www.asamblea.gob.pa/APPS/LEGISPAN/PDF_GACETAS/1940/1941/08483_1941.PDF



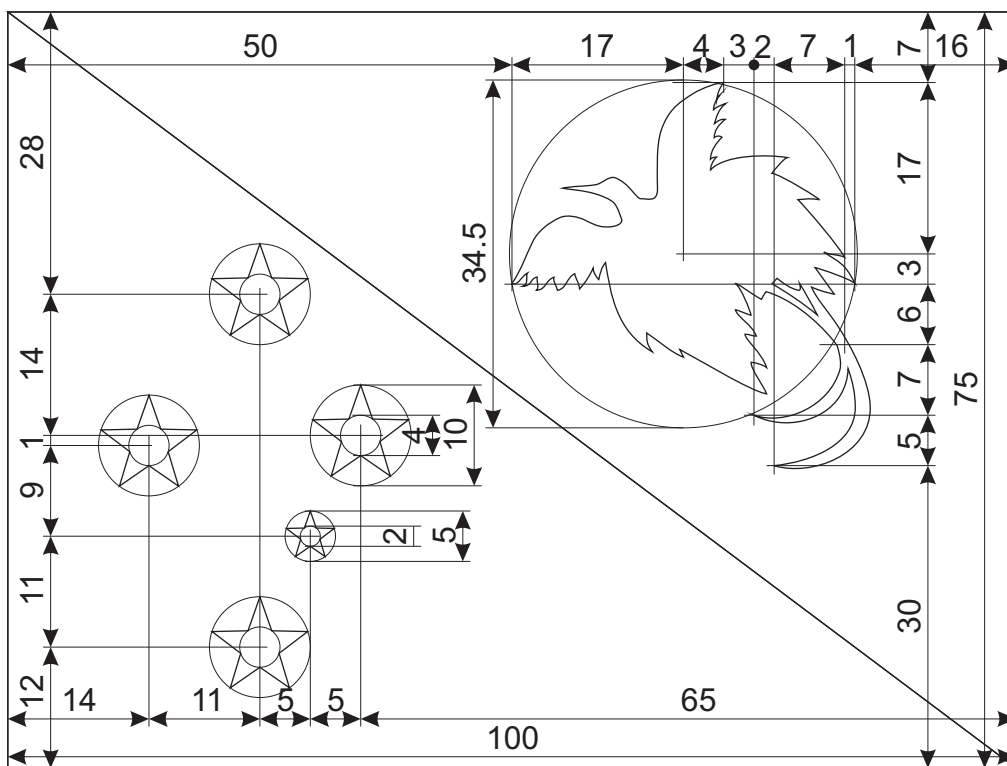
Papua New Guinea, 1971

Adopted: 1971

Sources: * construction changed, maybe in 1996

FOTW

National Identity Ordinance 1971, PNG Government Gazette Extraordinary Nr. 1, 1st July 1971.



Papua New Guinea

Adopted: 1996? (1971)

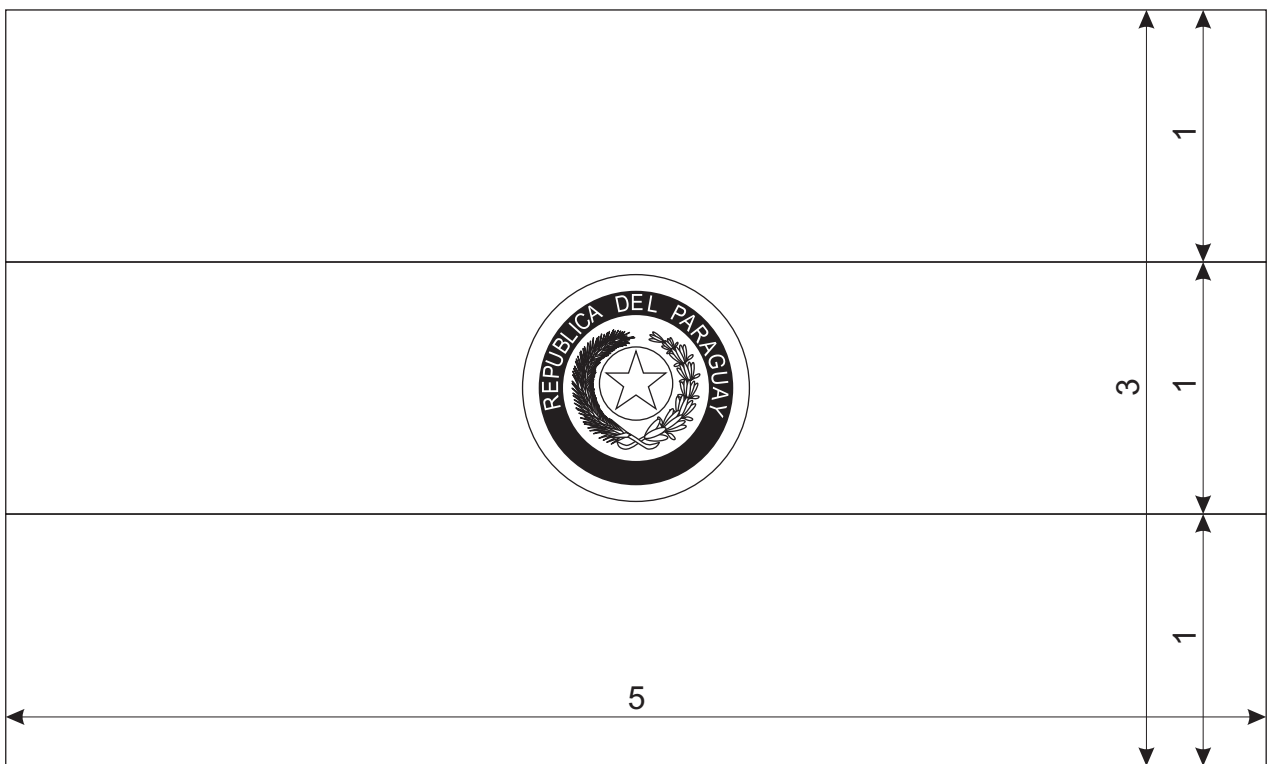
Sources:

FOTW

National Identity Ordinance 1971, - name changed to National Identity Act 1971, by National Identity (Amendment) Act 1996 (No. 20 of 1996), Long title repealed and replaced by No 14 of 2000 s 1. Consolidated text at

http://www.paclii.org/pg/legis/consol_act/nia1971197/

Construction details changed from 1971 Ordinance at some point before 2005

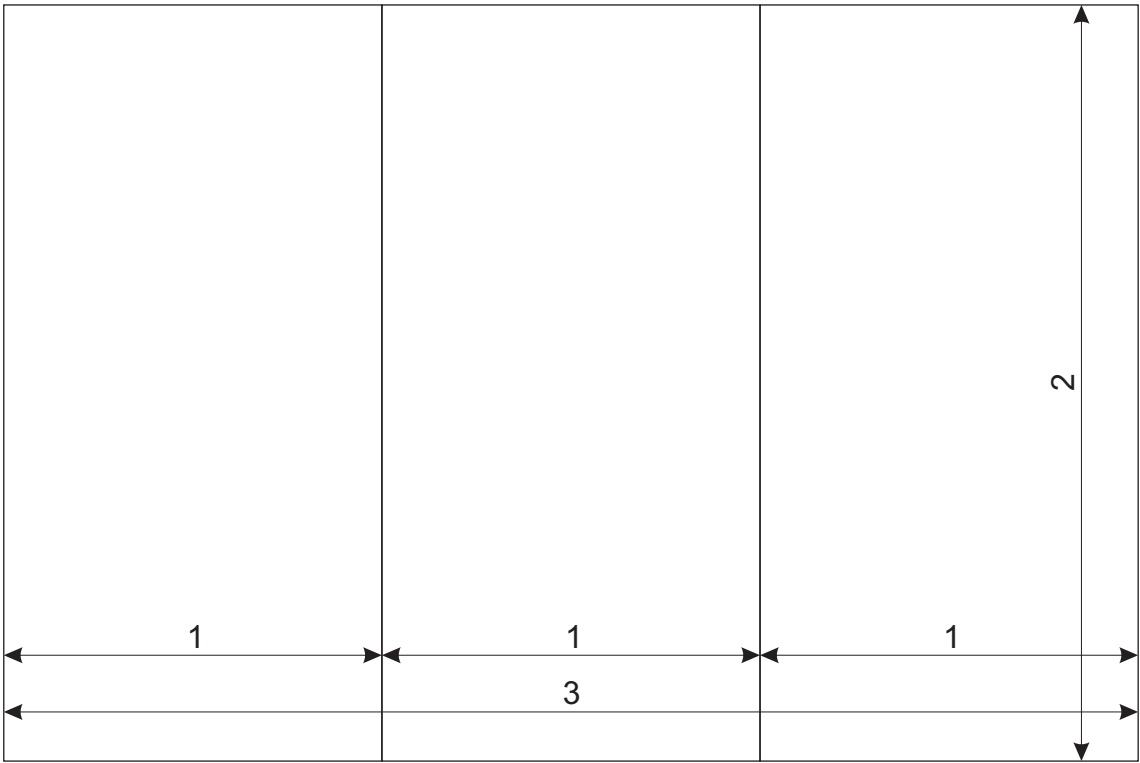


Paraguay

Adopted: 1990 (1842)

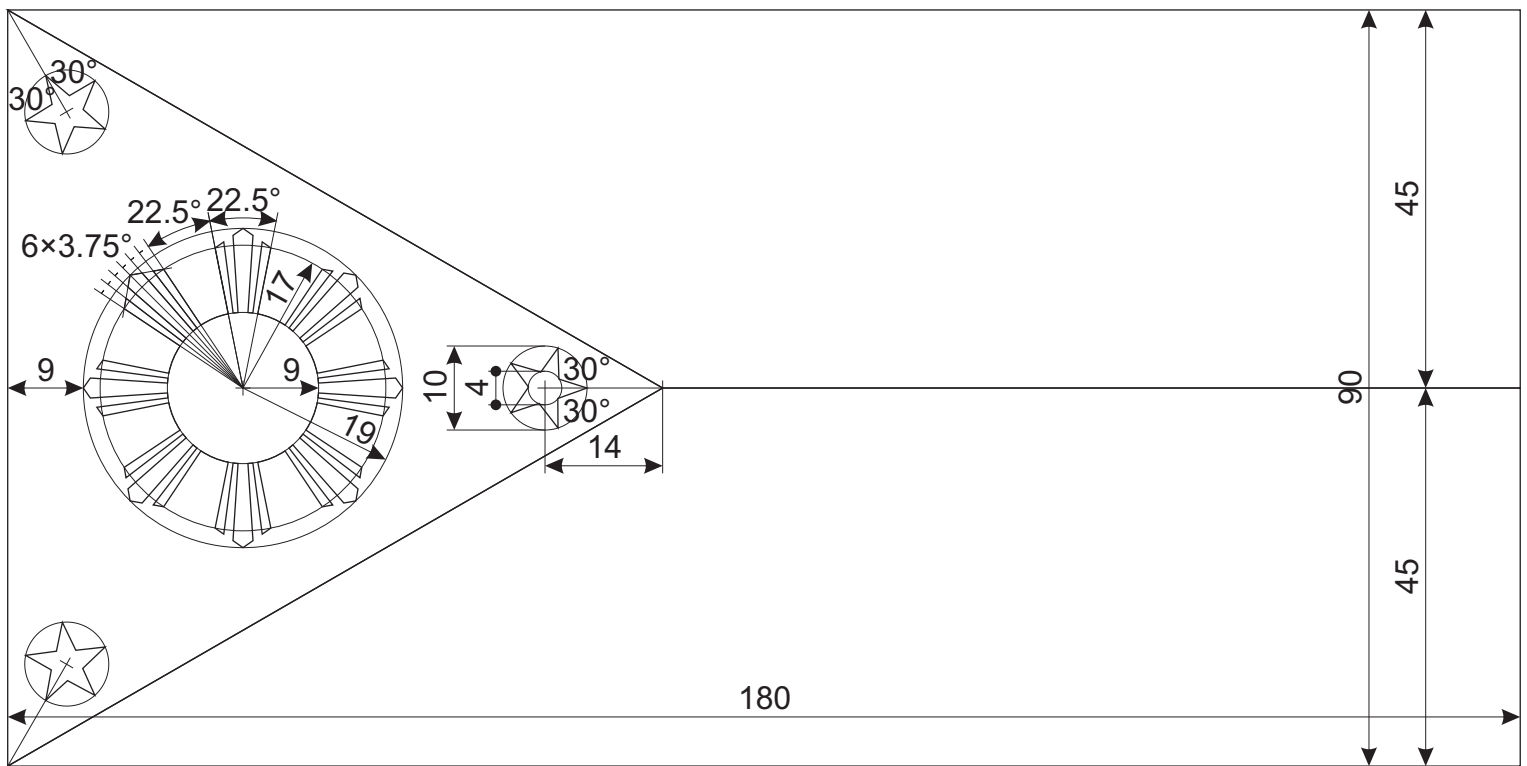
Sources: * emblem different on the reverse

FOTW



Peru

Adopted: 1950 (1839, 1825)
Sources:
FOTW



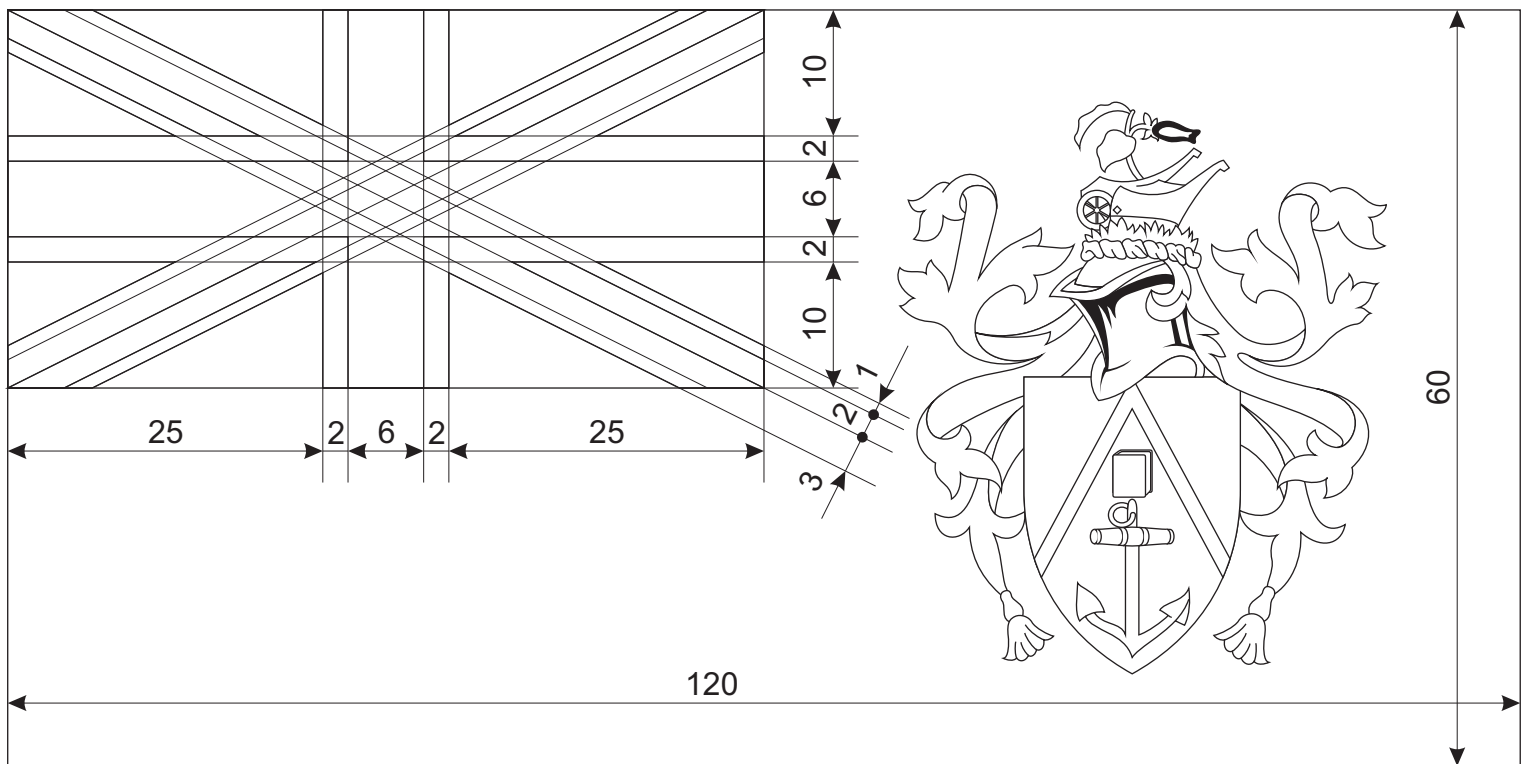
Philippines

Adopted: 1998 (1898, 1919, 1943)

Sources:

FOTW

Flag and Heraldic Code of the Philippines, Republic Act No. 8491 (An Act prescribing the Code of the National Flag, Anthem, Motto, Coat-of-Arms and other Heraldic Items and Devices of the Philippines), 28 July 1997 (approved 12 Feb 1998), Official Gazette, <http://www.gov.ph/1998/02/12/republic-act-no-8491/>, <http://www.gov.ph/downloads/1997/07jul/19980212-RA-8491-FVR.pdf>



Pitcairn Islands

Adopted: 1984

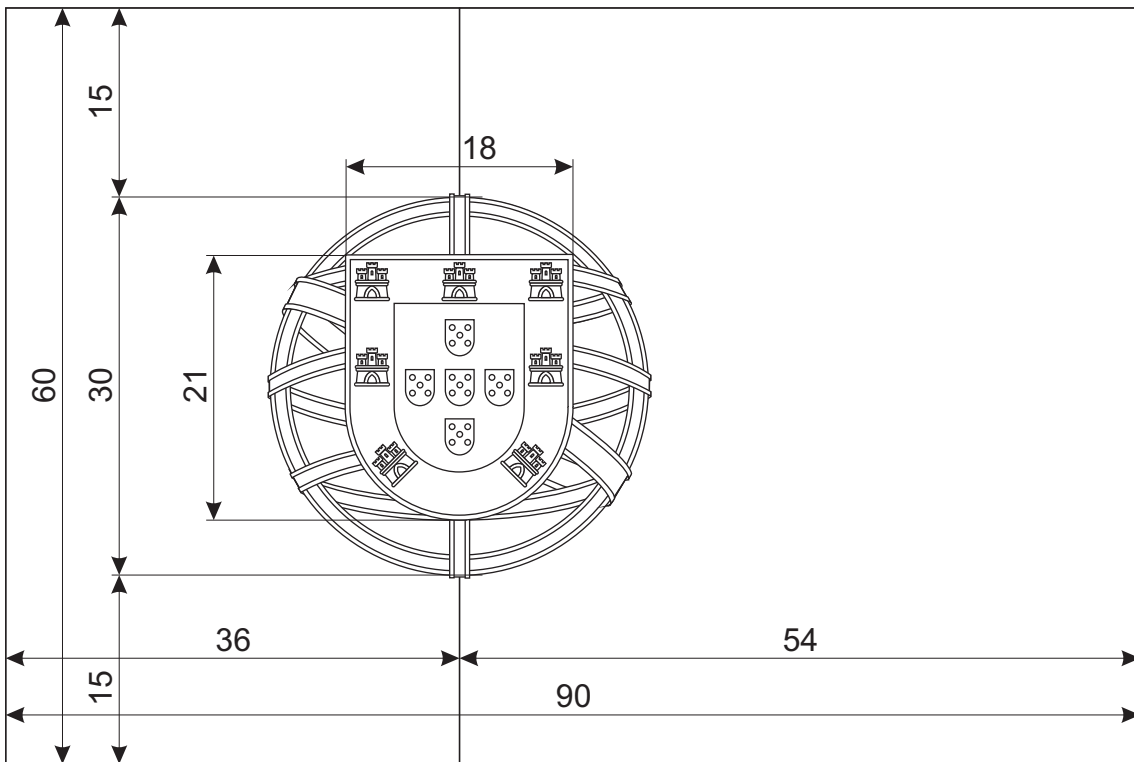
Sources:

FOTW, WFD, BR20



Poland

Adopted: 1919
Sources:
FOTW

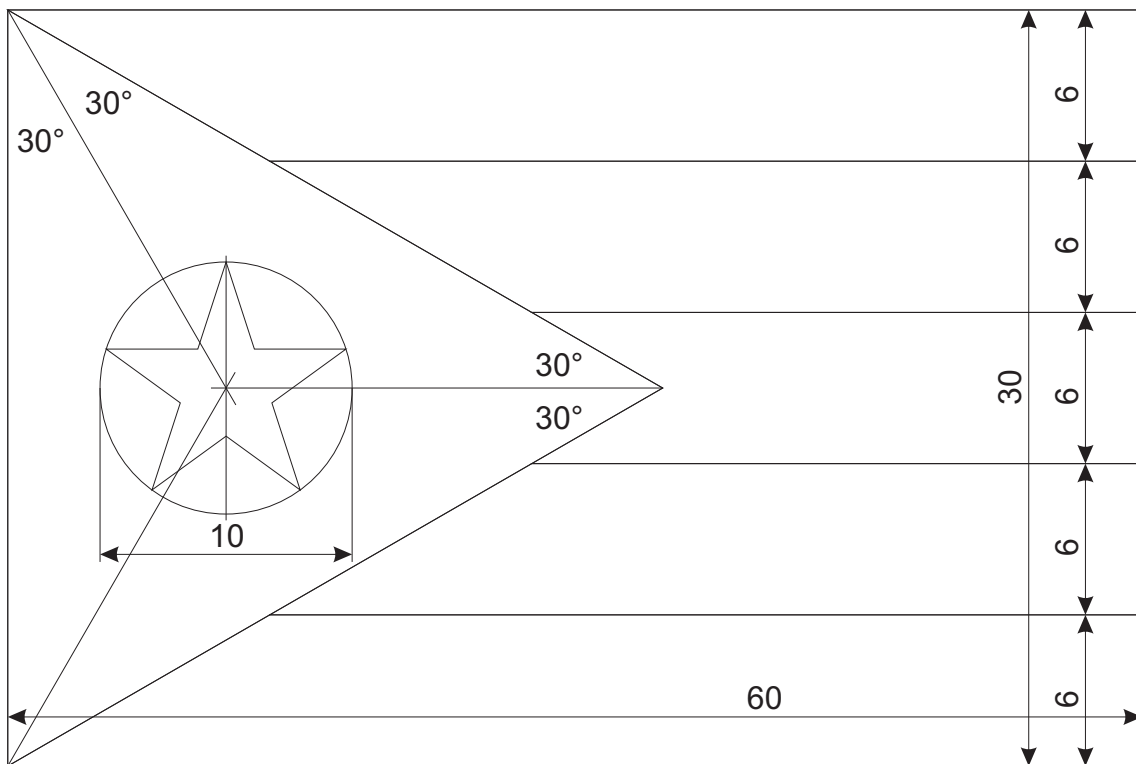


Portugal

Adopted: 1911

Sources: * further details issued recently???

FOTW



Puerto Rico

Adopted: 1952 (1892)

Sources: * dimension not prescribed, traditional dimensions match the Cuba flag, but the overall ratio (and star is upright)

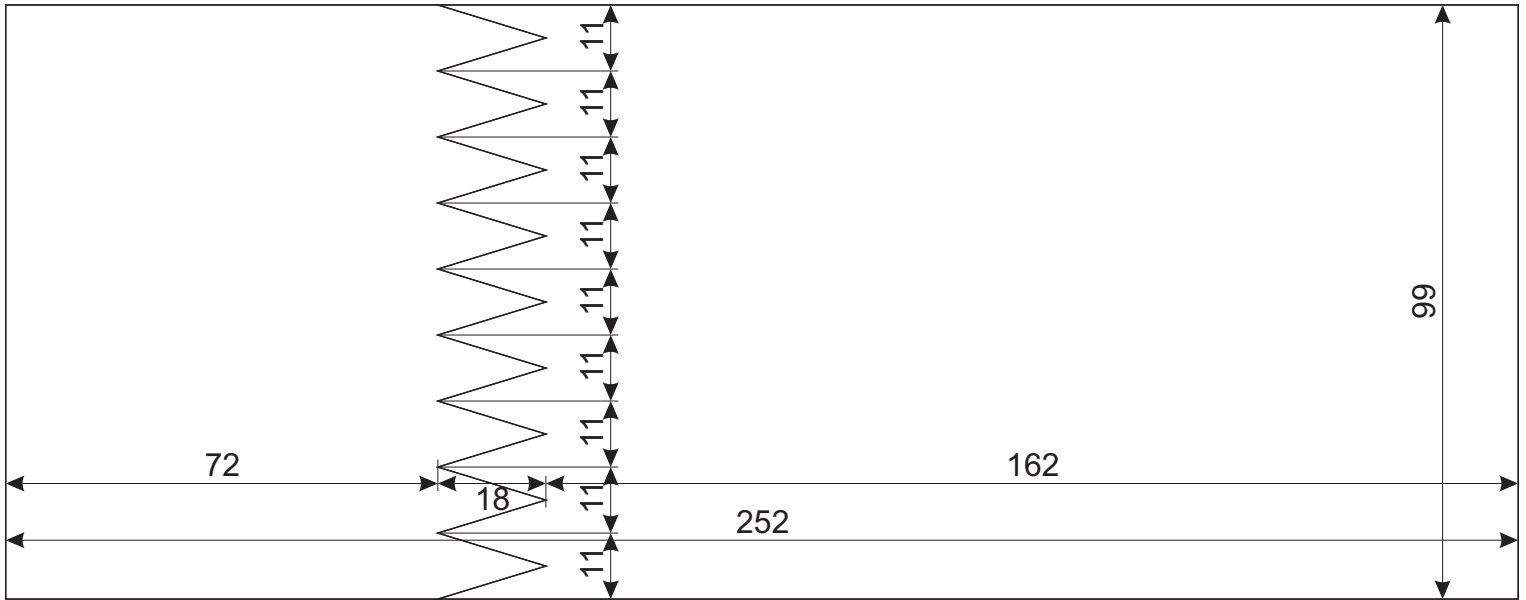
FOTW

Ley 1 del 24 de julio de 1952. (Ley para disponer sobre la bandera del Estado Libre Asociado de Puerto Rico, Autorizar al Secretario de Estado para reglamentar el uso de la misma, y para establecer delito por infraccion a los reglamentos pertinentes) | The Act 1 of July 24th, 1952. (An Act to provide with regard to the flag of the Commonwealth of Puerto Rico, to authorize the Secretary of State to regulate the use thereof, and to establish the offense entailed by the violation of the pertinent regulations)

<http://derechopr.com/dmdocuments/Ley%201%20del%2024%20de%20julio%20de%201952.pdf>

Reglamento sobre el Uso en Puerto Rico de la Bandera del Estado Libre Asociado de Puerto Rico, Reglamento Núm. 5282 del 3 de agosto de 1995, Radicado en el Departamento de Estado el 3 de agosto de 1995,

<http://www.lexjuris.com/Reglamentos/estado/lex955282%20bandera.htm>

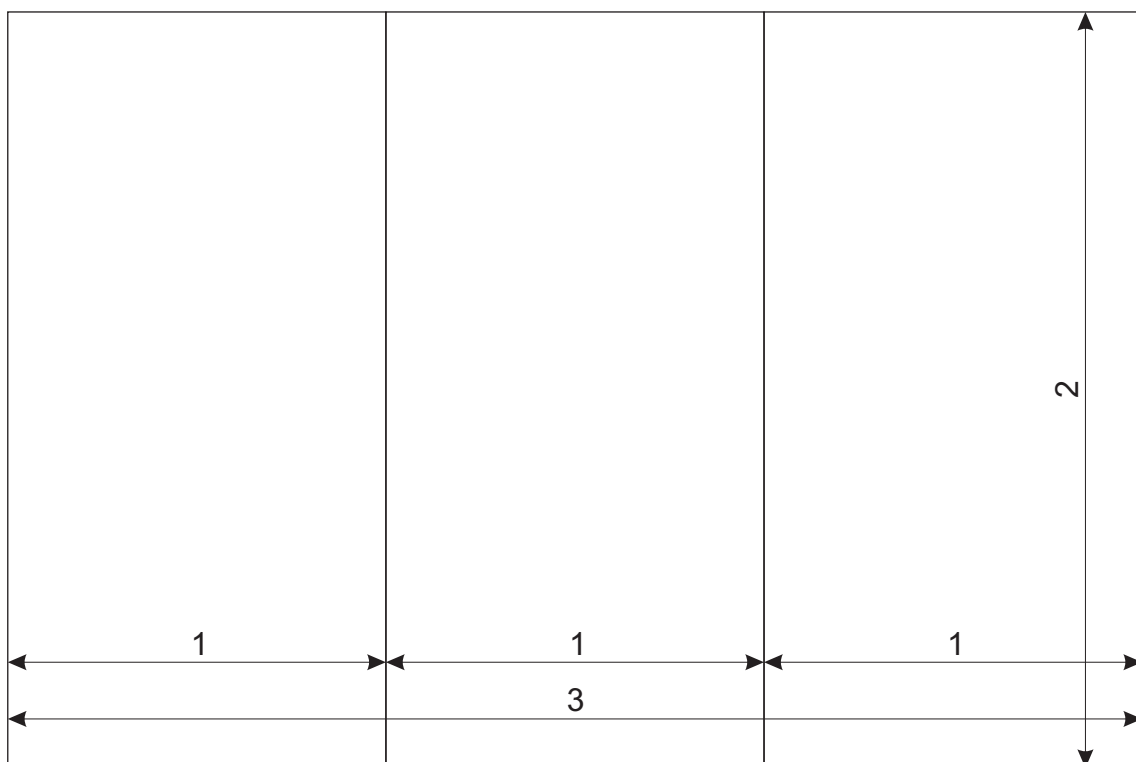


Qatar

Adopted: 1971 (1949)

Sources:

FOTW



Romania

Adopted: 1989 (1867)

Sources:

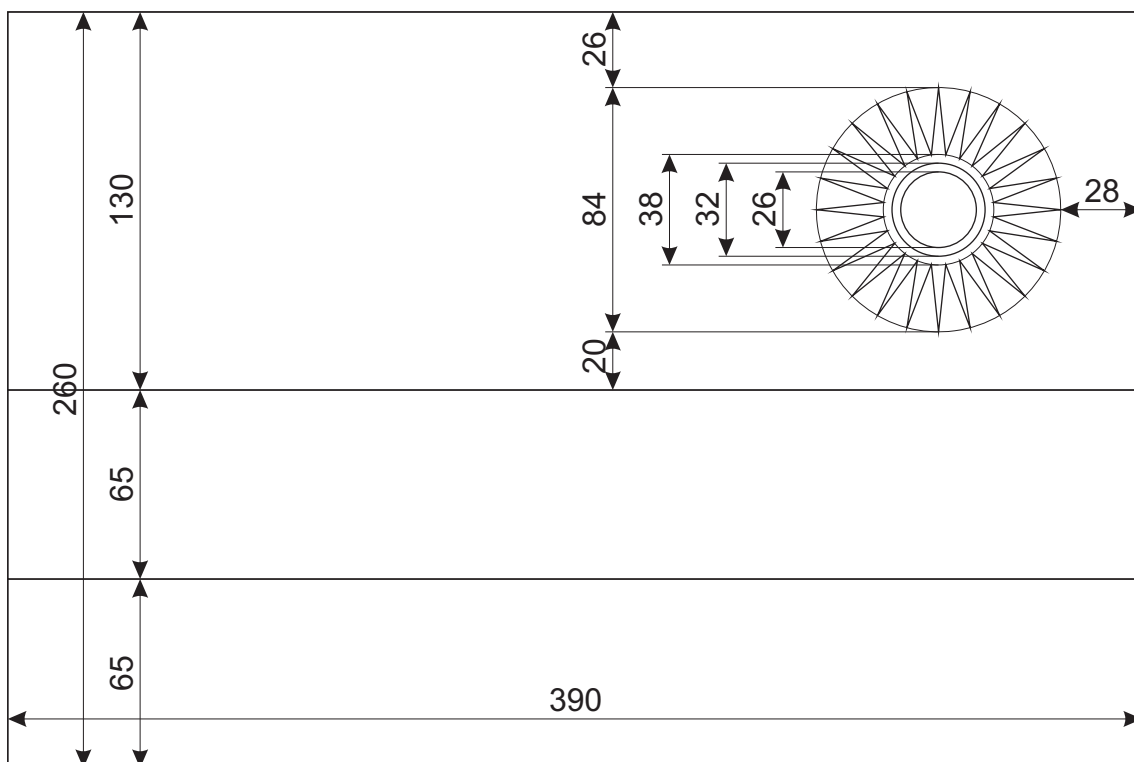
FOTW

Lege nr. 75 din 16 iulie 1994 privind arborarea drapelului României, intonarea imnului național și folosirea sigiliilor cu stema României de către autoritățile și instituțiile publice, Monitorul Oficial, nr. 237/26 aug. 1994, http://www.cdep.ro/pls/legis/legis_pck.htm_act_text?id=14530, http://www.presidency.ro/static/ordine/Lg.75_1994.pdf
Hotărâre nr. 1.157 din 21 noiembrie 2001 pentru aprobarea Normelor privind arborarea drapelului României, intonarea imnului național și folosirea sigiliilor cu stema României, Monitorul Oficial, nr. 776/5 dec. 2001, http://www.cdep.ro/pls/legis/legis_pck.htm_act_text?id=30710



Russia

Adopted: 1993 (1991, 1883)
Sources:
FOTW



Rwanda

Adopted: 2001

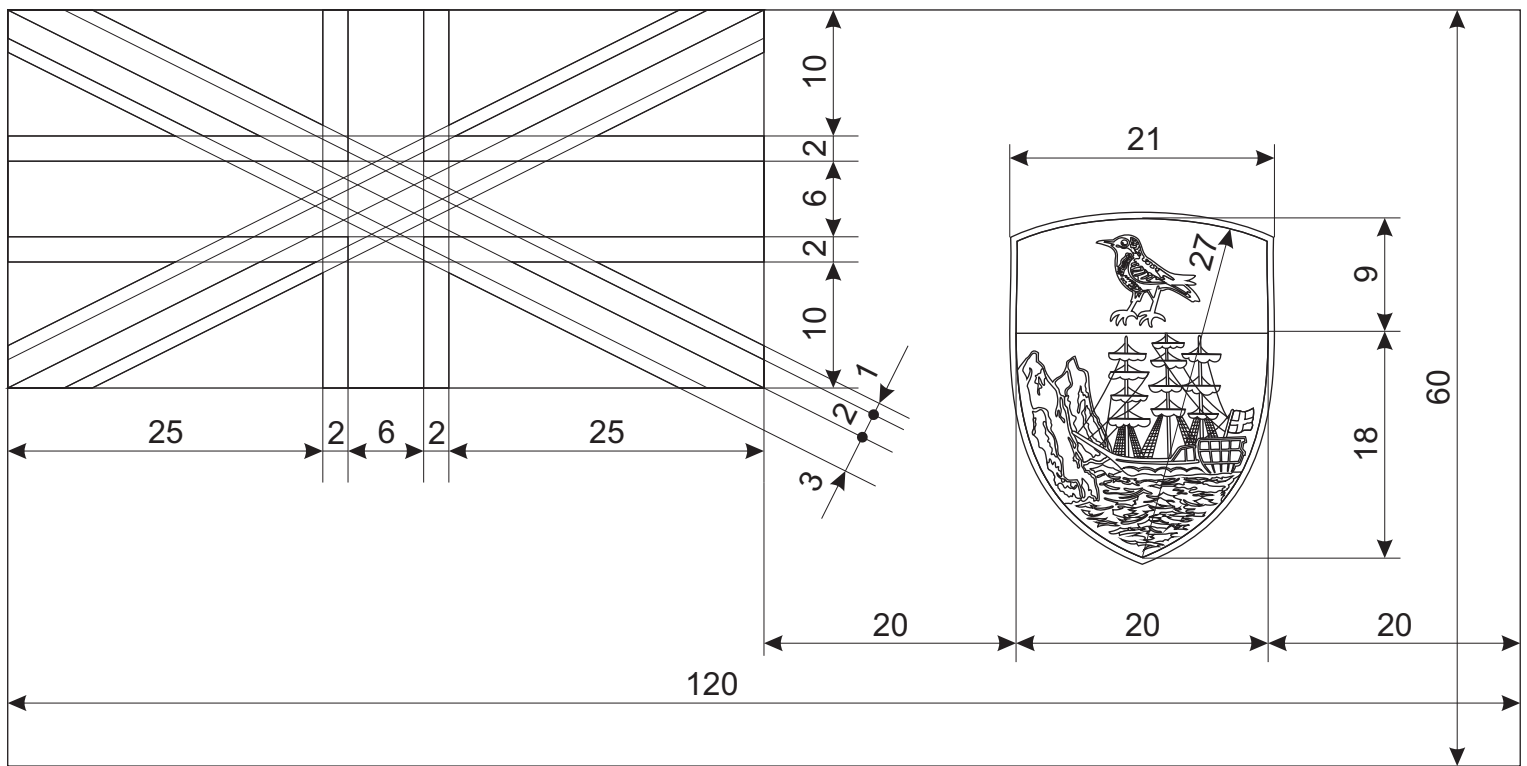
Sources:

FOTW

Loi N° 57/2001 portant caractéristiques, cérémonial et respect du drapeau national, Journal Officiel de la République, Rwandaise, N° spécial du 31 décembre 2001 | Law N° 57/2001 on characteristics, ceremonial and respect of the flag of the Republic of Rwanda, Official Gazette of the Republic of Rwanda, N° special du 31 December 2001 | Itegeko N°57/2001 ryo ku wa 31/12/2001 ryerekeye imiterere, imikoreshereze n'iyubahwa by' ibendera ry'igihugu, Igazeti ya Leta ya Repubulika y'u Rwanda N° spécial du 31 Ukuboza 2001

http://www.amategeko.net/display_rubrique.php?Information_ID=844&Parent_ID=3069704&type=public&Langue_ID=Fr
http://www.amategeko.net/display_rubrique.php?Information_ID=1445&Parent_ID=30694859&type=public&Langue_ID=An

http://www.amategeko.net/display_rubrique.php?Information_ID=1384&Parent_ID=30694084&type=public&Langue_ID=Rw

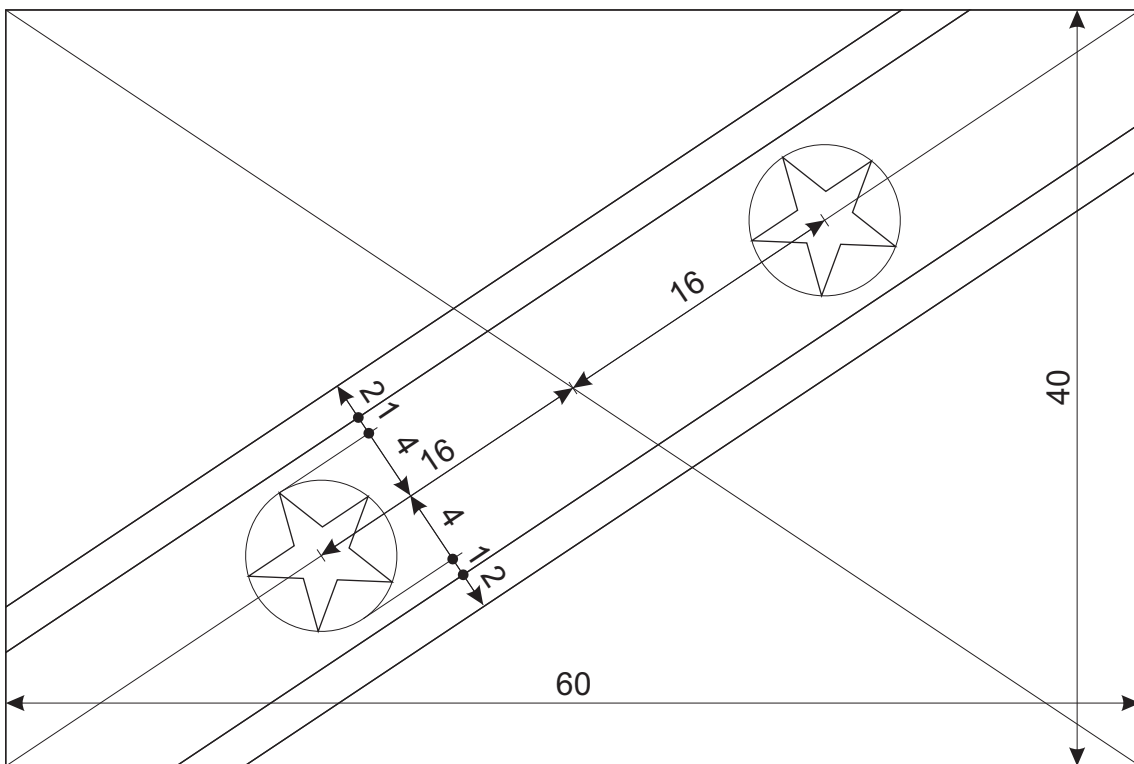


Saint Helena

Adopted: 1984

Sources:

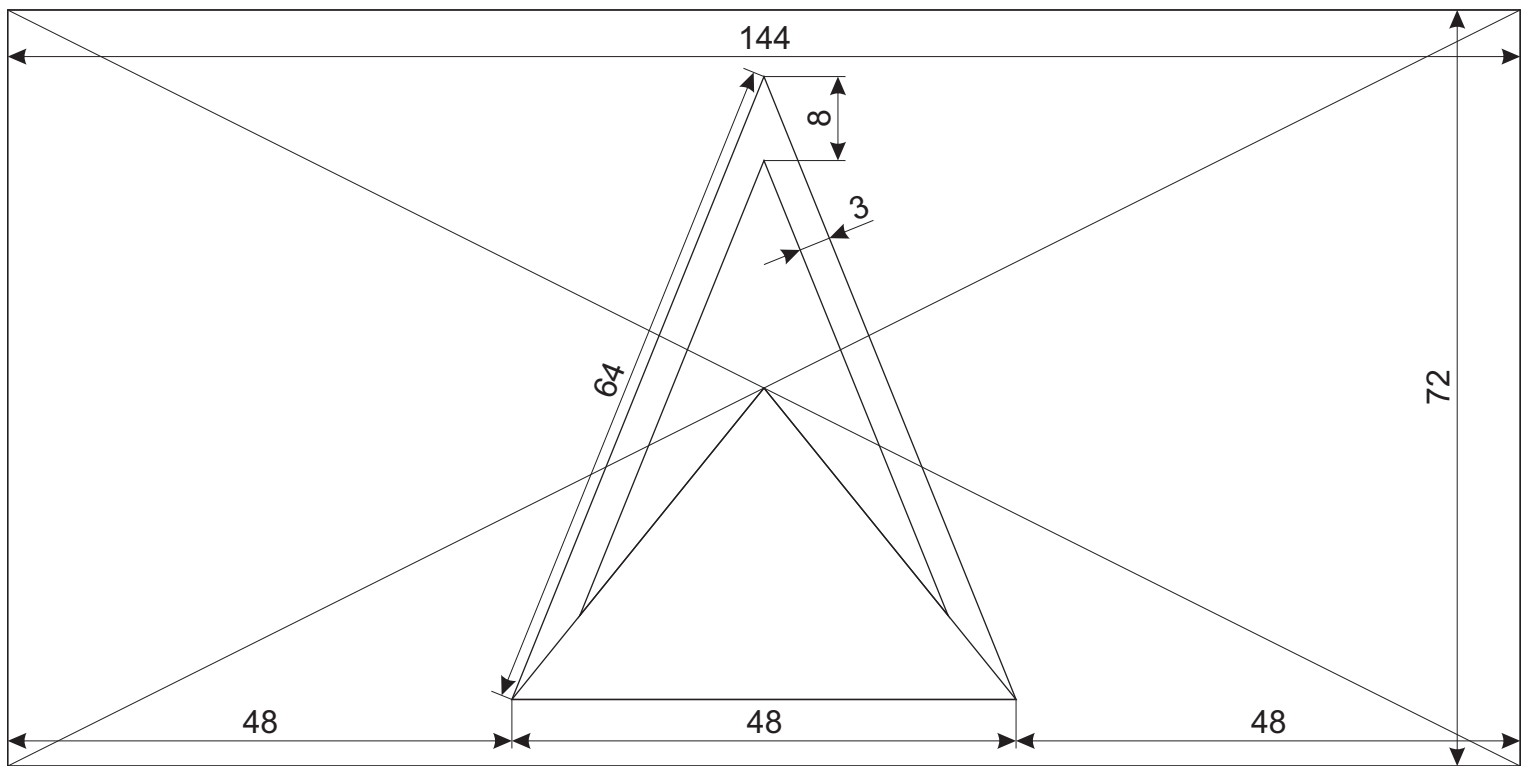
FOTW, Wikipedia, WFD, BR20



Saint Kitts and Nevis

Adopted: 1983

Sources: * construction based on customary use
FOTW, WFD, BR20



Saint Lucia

Adopted: 2002 (1979, 1967)

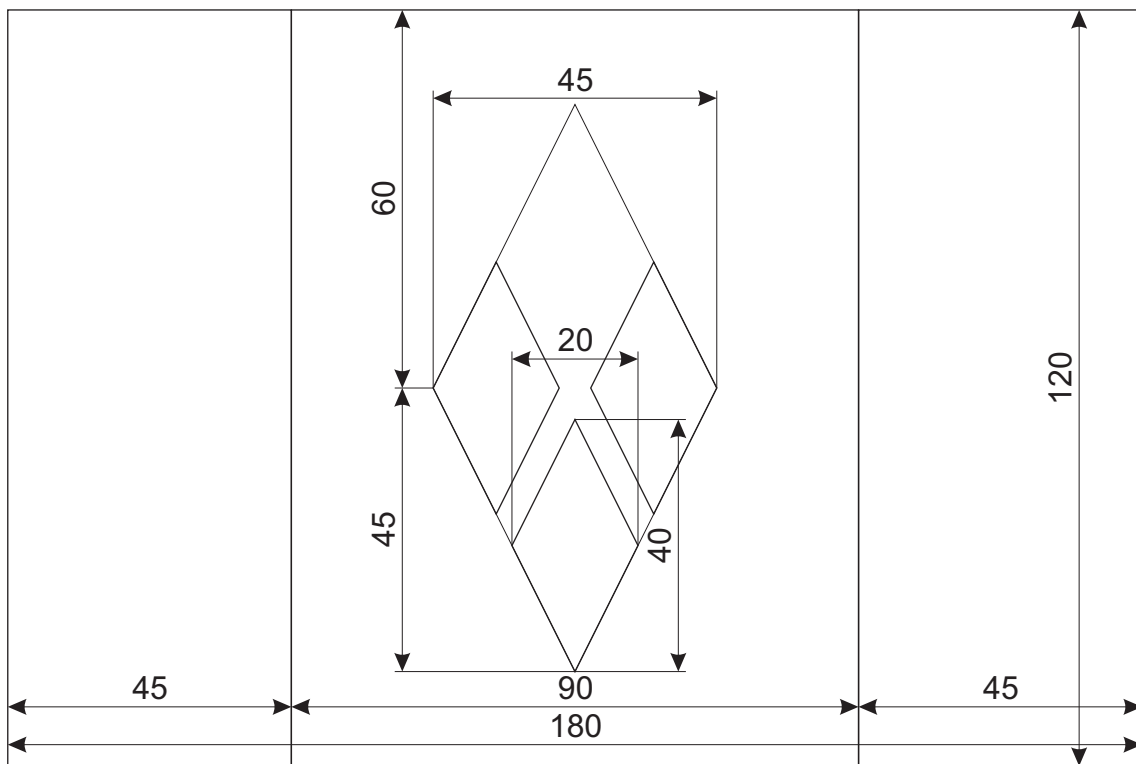
Sources:

FOTW, WFD, BR20

Notice.

Saint Lucia National Flag and Coat of Arms. Office of the Prime Minister, Saint Lucia Nationwide, Department of Information Services, No. 29, Saturday 25 October 2003, p. 8.

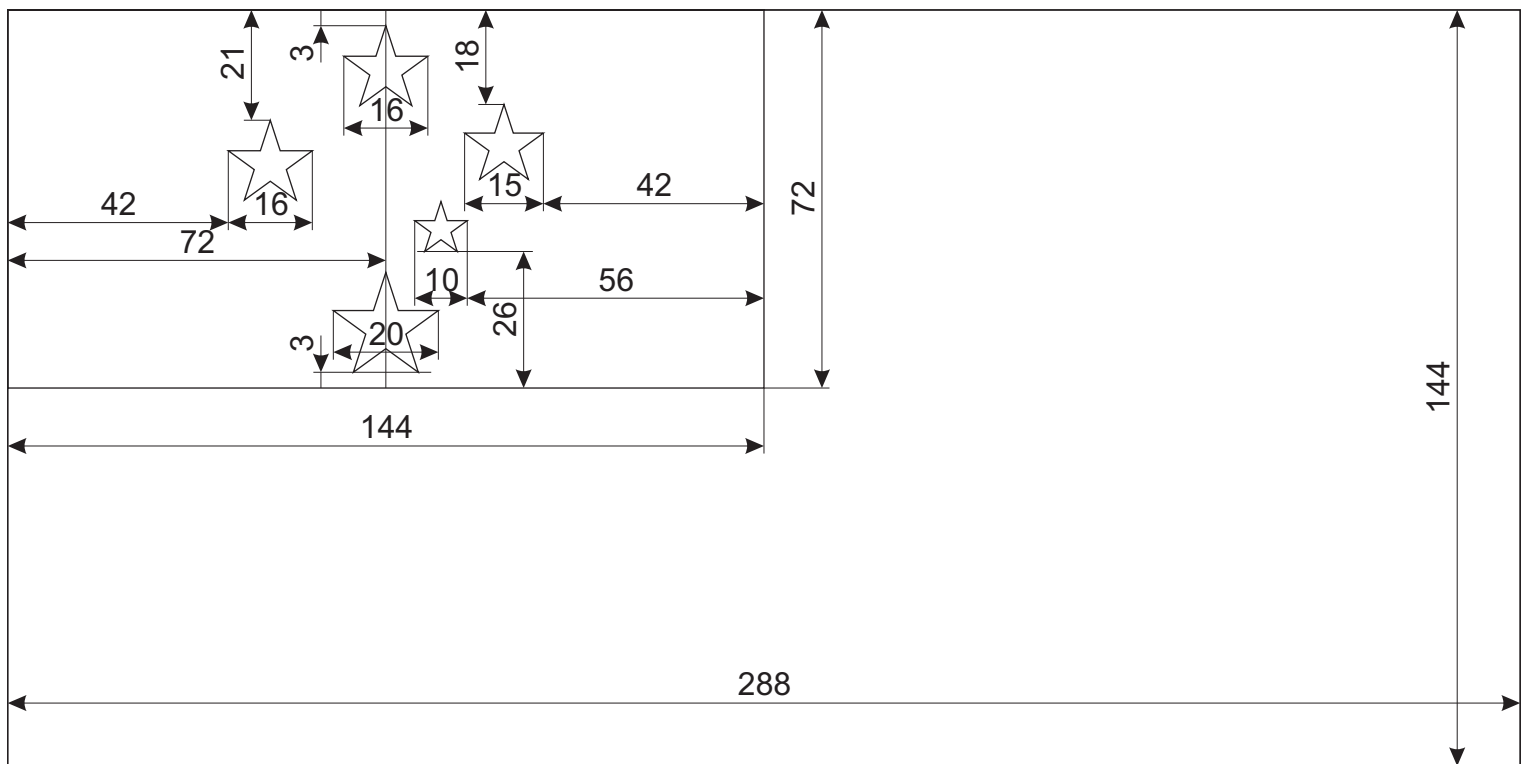
<http://www.stlucia.gov.lc/gis/nationwide/2003/NationWide25October2003.pdf>



Saint Vincent and Grenadines

Adopted: 1985

Sources: * construction details based on customary use
FOTW, WFD, BR20



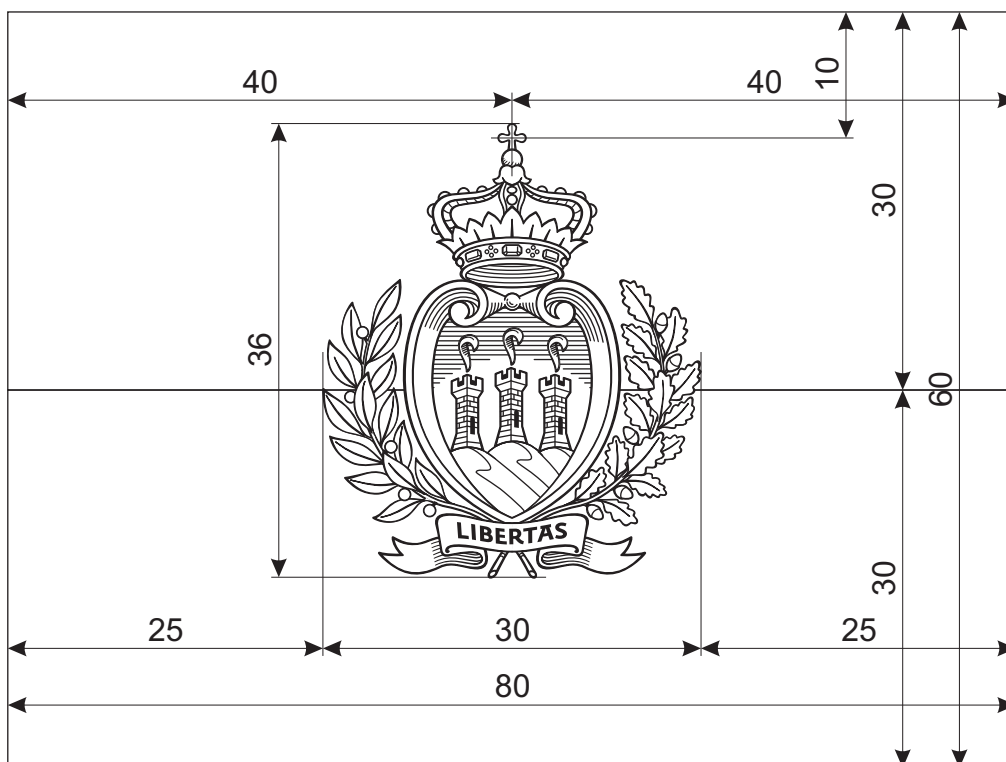
Samoa

Adopted: 1994 (1973, 1949, 1948)

Sources:

FOTW

Official Flag and National Anthem of Samoa Act 1994, No. 10, 28 July 1994, (An Act to provide for the Flag and National Anthem of Samoa), Consolidated Acts of Samoa, 2009, http://www.pacii.org/ws/legis/consol_act/ofanaosa1994308/
 Flag of Western Samoa Act, 1973, No. 5, Reprint 1978, Vol. 3 p. 149



San Marino

Adopted: 2011 (1862)

Sources:

FOTW

Legge che regola l'uso della Bandiera nazionale e di quelle estere. N. 10, 25 agosto 1936,

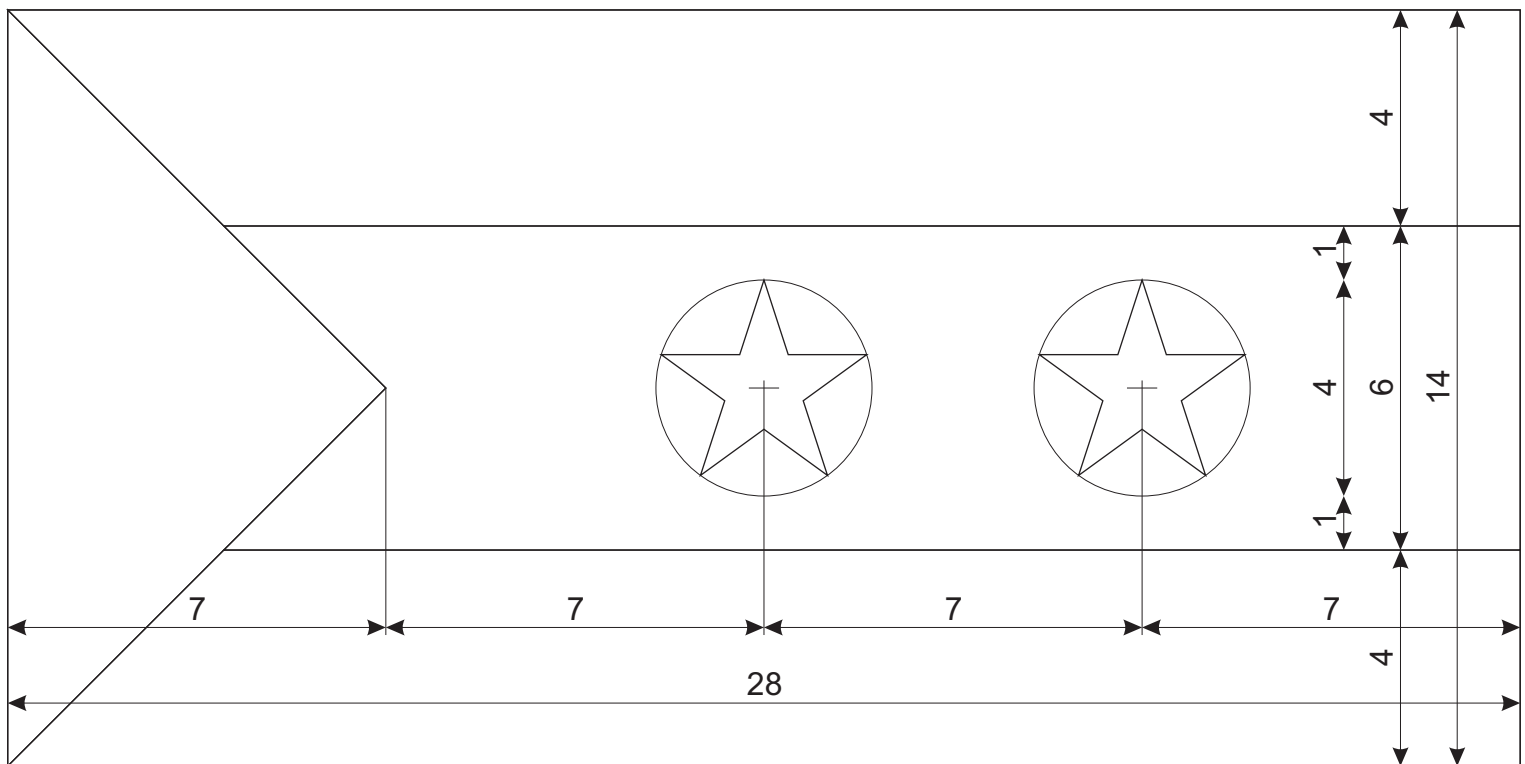
<http://www.consigliograndeegenerale.sm/on-line/Home/ArchivioLeggiDecreteRegolamenti/documento17017397.html>

Legge 8 luglio 1974 n.59 (pubblicata nell'Albo del Pubblico Palazzo in data 17 luglio 1974). Dichiarazione dei diritti dei cittadini e dei principi fondamentali dell'ordinamento sammarinese. 12 luglio 1974,

<http://www.consigliograndeegenerale.sm/on-line/Home/ArchivioLeggiDecreteRegolamenti/documento17019164.html>

Legge costituzionale 22 luglio 2011 n.1, Bandiera e stemma ufficiale della Repubblica di San Marino. Integrazione alla

Legge 8 luglio 1974 n. 59, 22 luglio 2011, <http://www.consigliograndeegenerale.sm/on-line/Home/ArchivioLeggiDecreteRegolamenti/documento17044527.html>



São Tomé and Príncipe

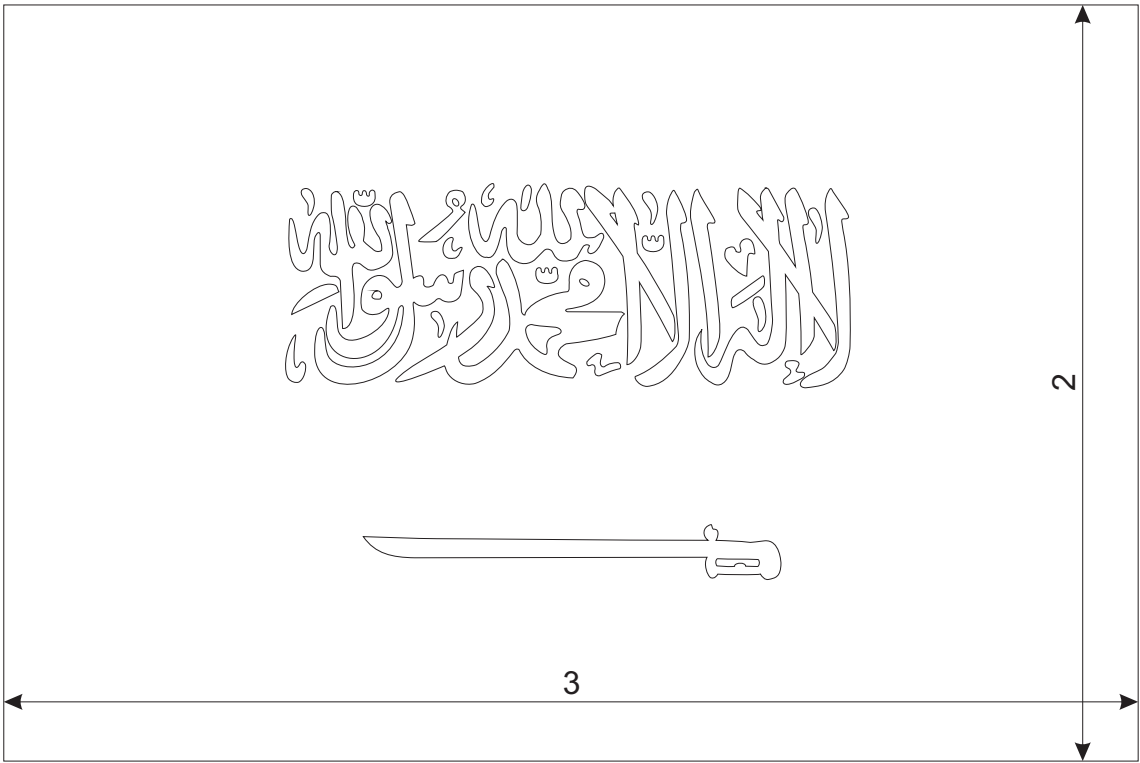
Adopted: 1975

Sources:

FOTW

Art. 13, Constitution of the Democratic Republic of São Tomé and Príncipe, March 1990.

<http://www.africanlegislaturesproject.org/sites/africanlegislaturesproject.org/files/Constitution%20Sao%20Tome%20E%20Principe.pdf>



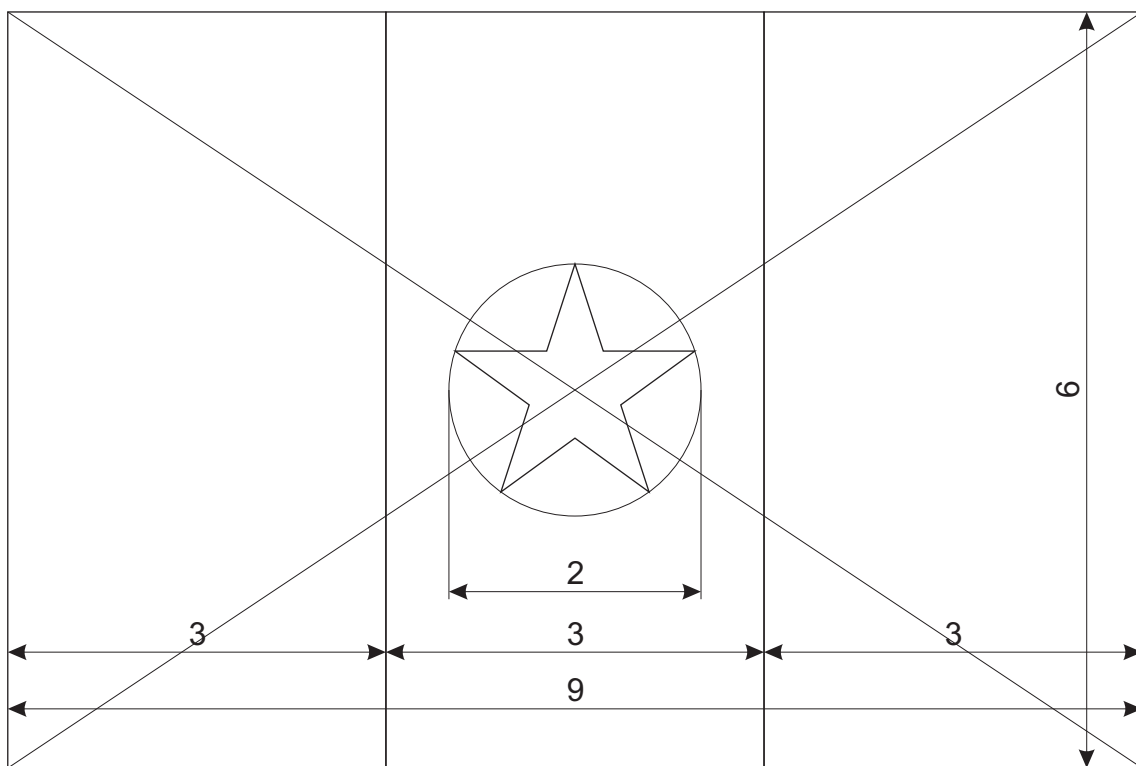
Saudi Arabia

Adopted: 1973

Sources:

FOTW, Wikipedia

Art. 3, Basic Law of Saudi Arabia, 31 January 1992, http://en.wikisource.org/wiki/Basic_Law_of_Saudi_Arabia



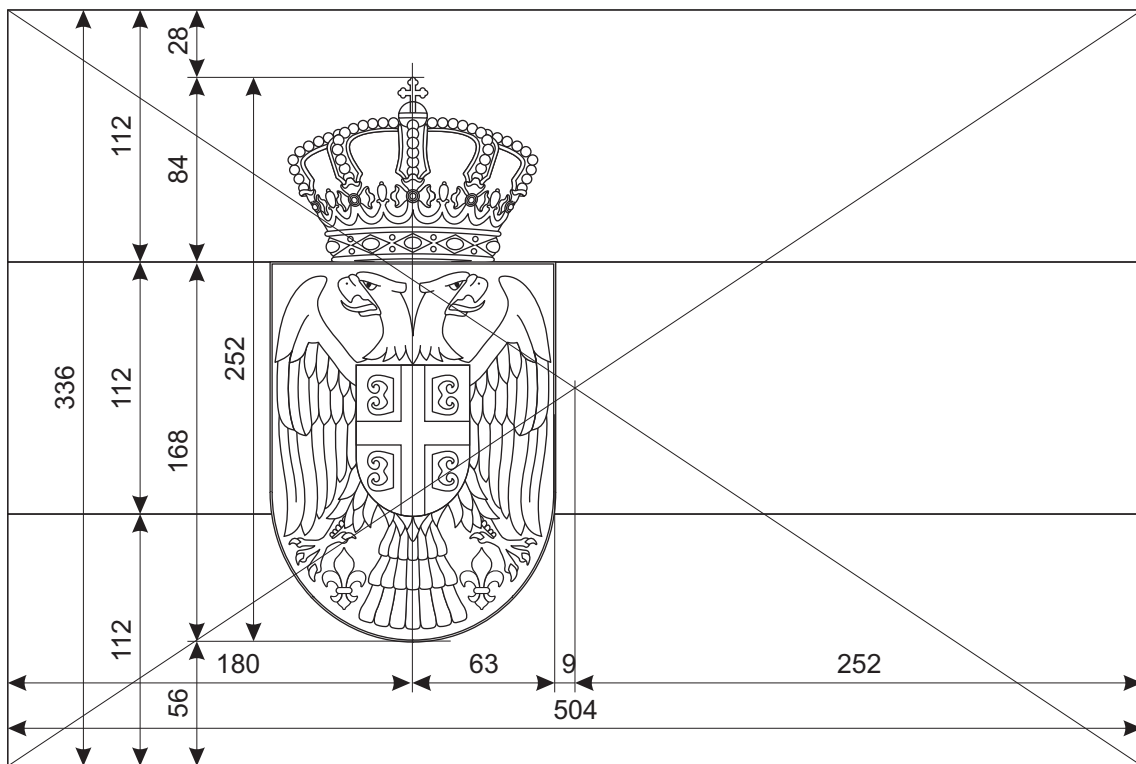
Senegal

Adopted: 1960

Sources: * dimensions approximate based on common use

FOTW

Art. 1, Contitution de la République du Sénégal, du 22 janvier 2001, <http://www.gouv.sn/IMG/pdf/Constitution.pdf>



Serbia

Adopted: 2010 (2004, 1882)

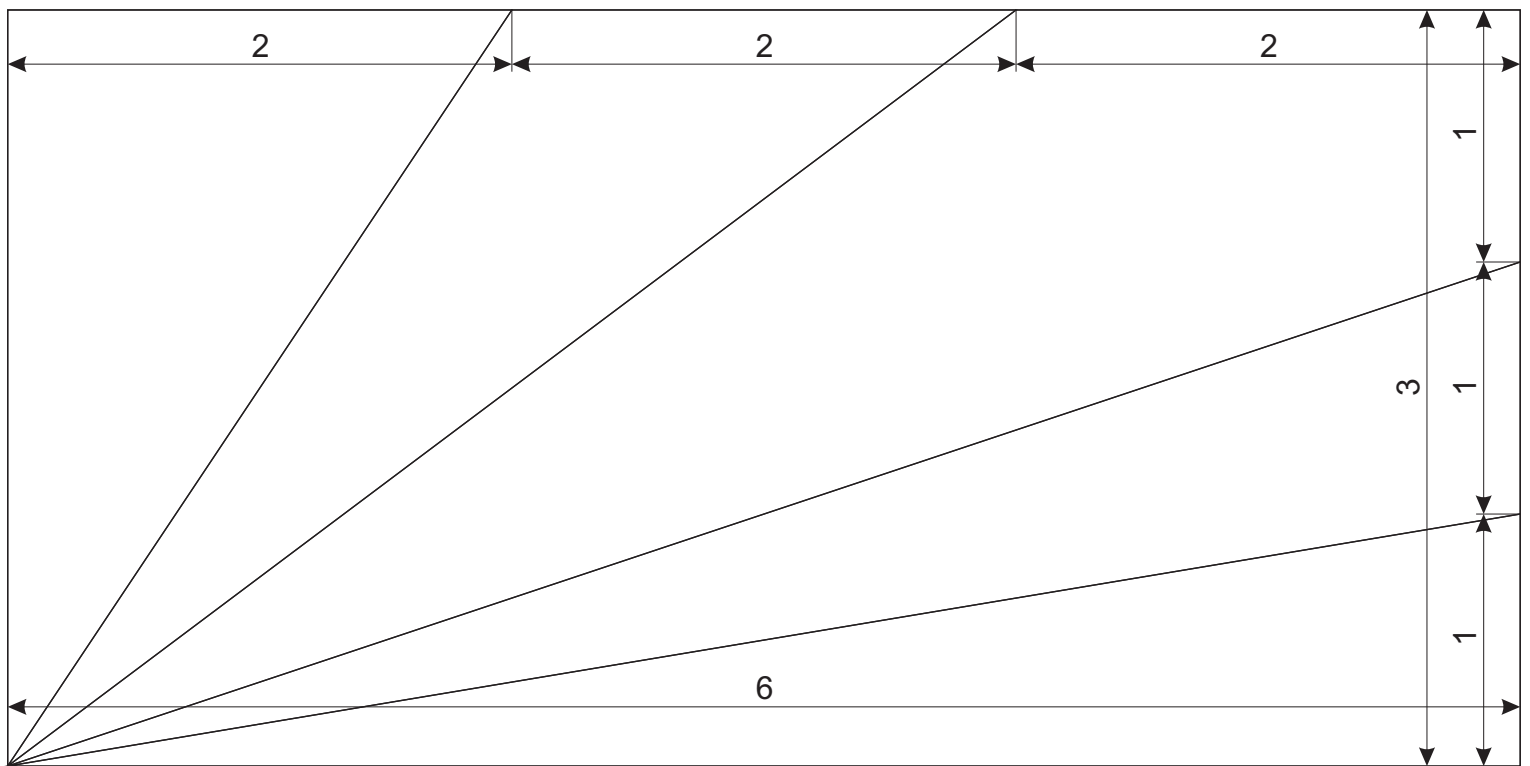
Sources:

FOTW

Zakon o izgledu i upotrebi grba, zastave i himne Republike Srbije, "Službeni glasnik Republike Srbije", br. 36/2009, 11.05.2009.

Uredba o utvrđivanju izvornika velikog i malog grba, izvornika zastave i notnog zapisa himne Republike Srbije, 11.11.2010, Službeni glasnik RS, br. 85/2010, 15.11.2010.

http://www.srbija.gov.rs/extfile/sr/142564/uredba_izvornik_grba_zastave_himne0355_cyr.zip



Seychelles

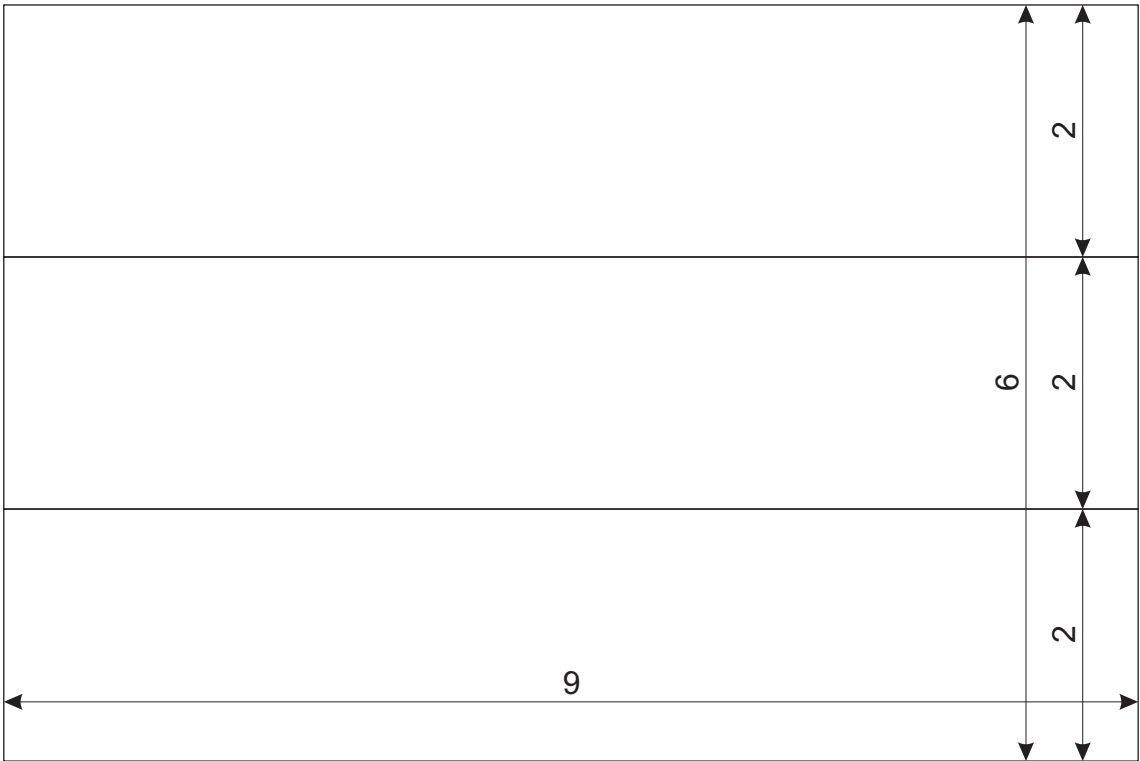
Adopted: 1996

Sources:

FOTW

National Symbols Act 1996, Act 3 of 1996, Chapter 145A, 18 June 1996,

<http://www.seyllii.org/sc/legislation/consolidated-act/145a>



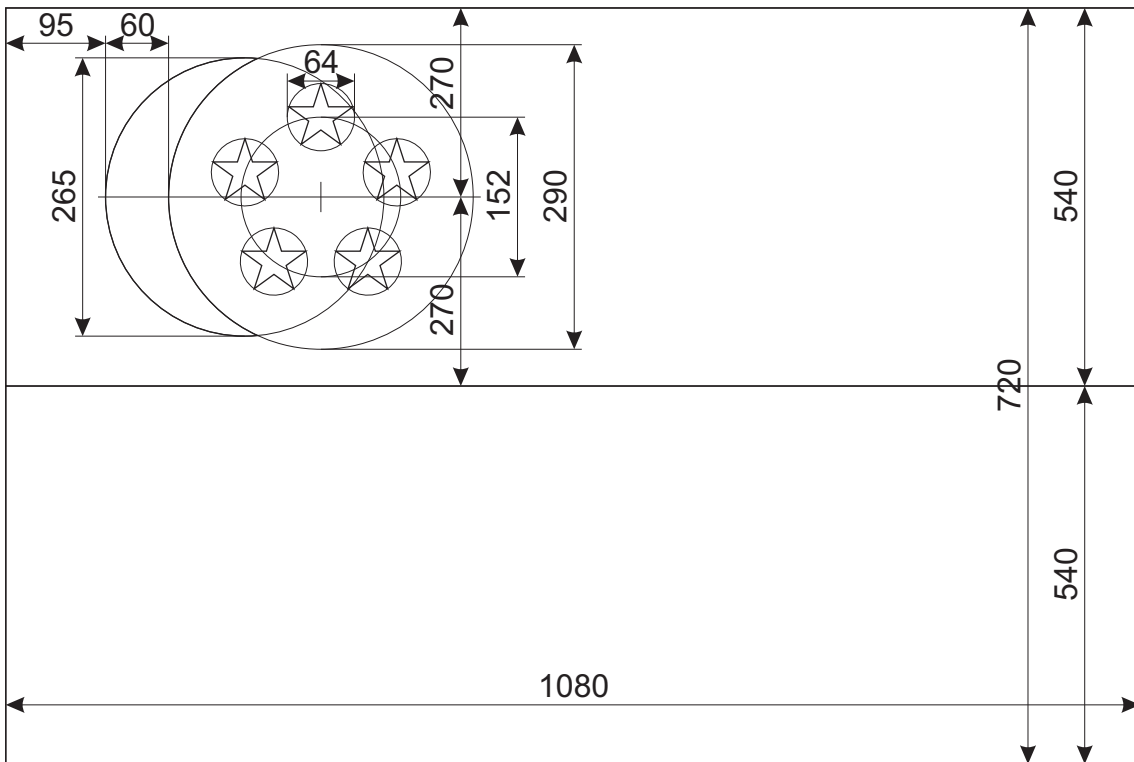
Sierra Leone

Adopted: 1961

Sources:

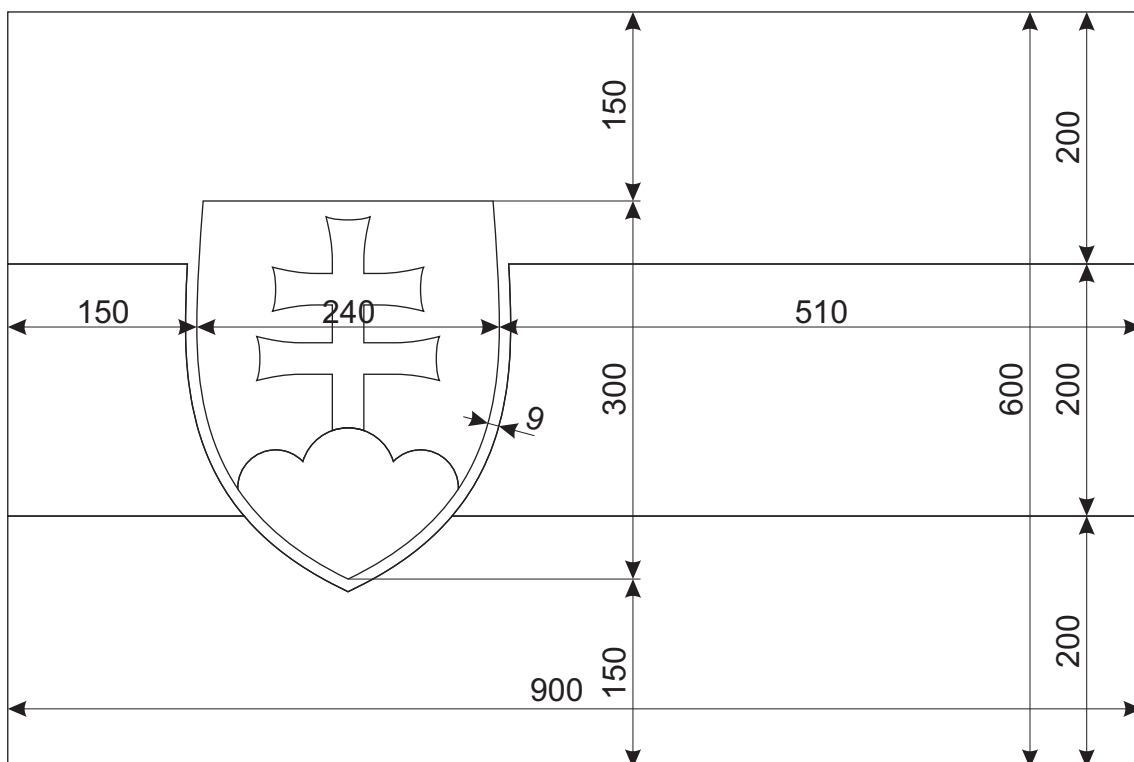
FOTW

Chapter One, Article 3(1) of the Constitution (Act No. 6 of 1991) dated 1 October 1991



Singapore

Adopted: 1959
Sources:
FOTW



Slovakia

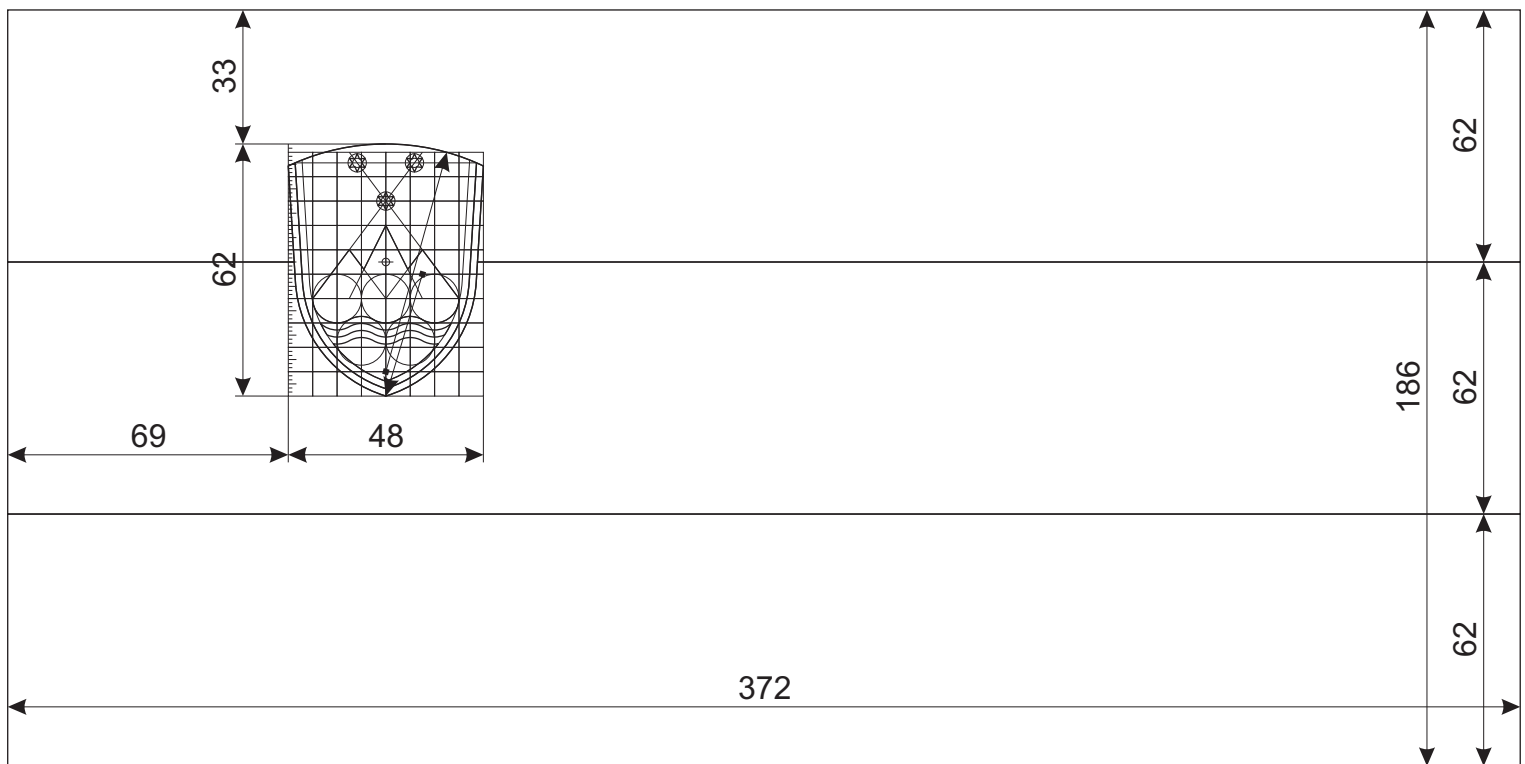
Adopted: 1993 (1992)

Sources:

FOTW

Zákon o štátnych symboloch Slovenskej republiky a ich používaní, 18.02.1993,
Zbierka zákonov č. 63/1993,

<http://www.zbierka.sk/zz/predpisy/default.aspx?PredpisID=12478&FileName=93-z063&Rocnik=1993>



Slovenia

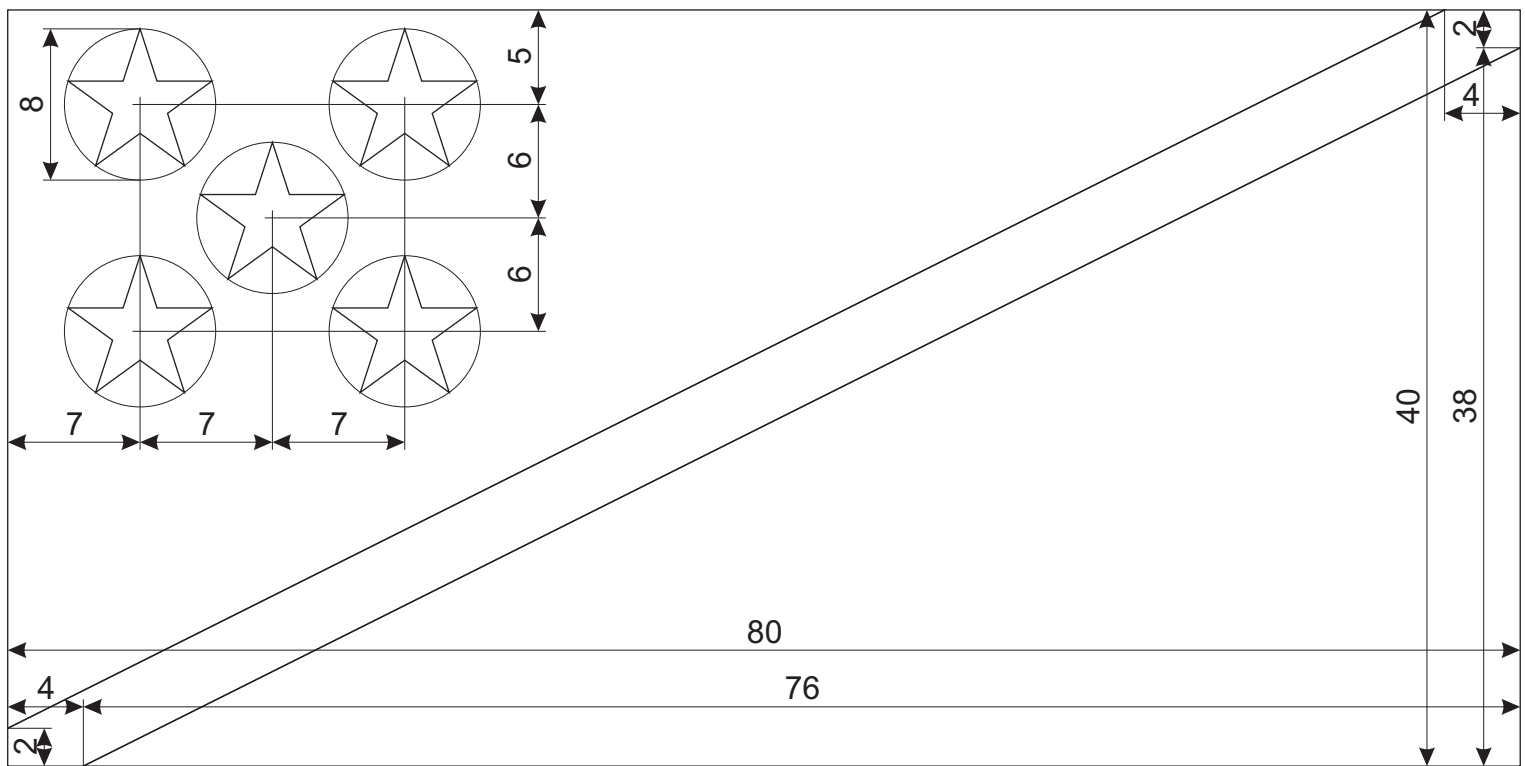
Adopted: 1994 (1991)

Sources:

FOTW

Zakon o grbu, zastavi in himni Republike Slovenije ter o slovenski narodni zastavi, 20. X. 1994. UL, št. 67, str. 3715-20, 27. X. 1994.

http://www.uradni-list.si/_pdf/1994/Ur/u1994067.pdf

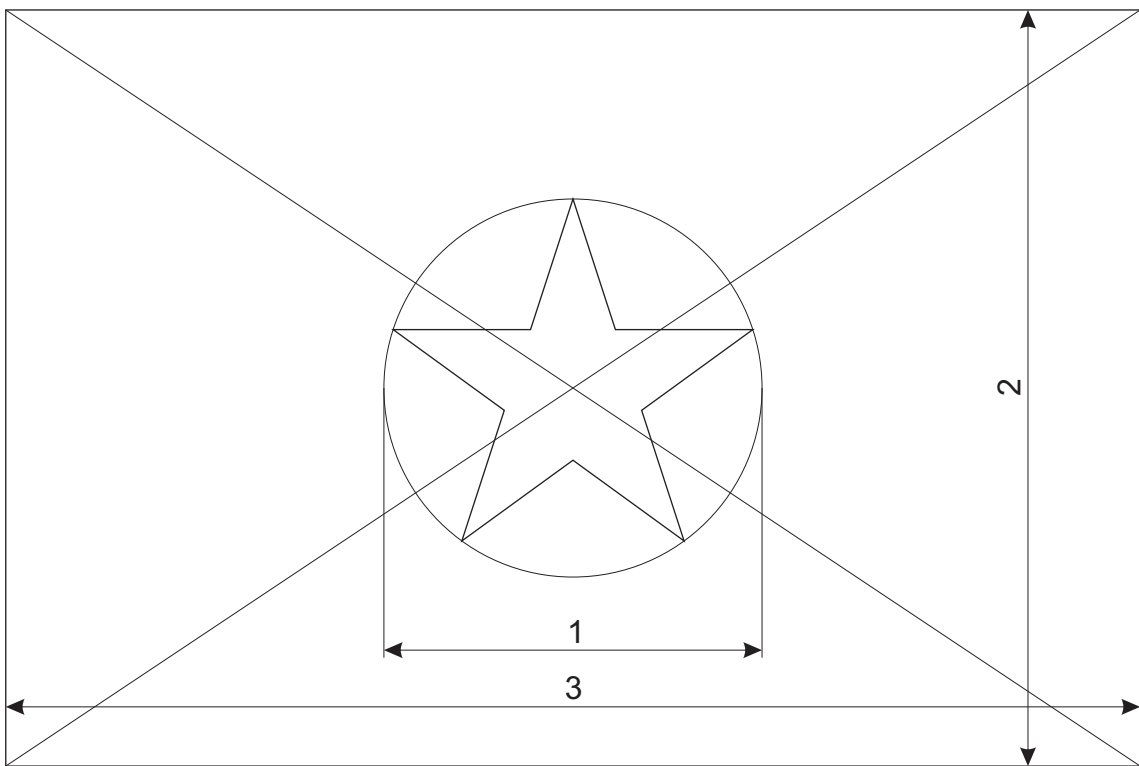


Solomon Islands

Adopted: 1977

Sources: * dimensions based on customary use

FOTW

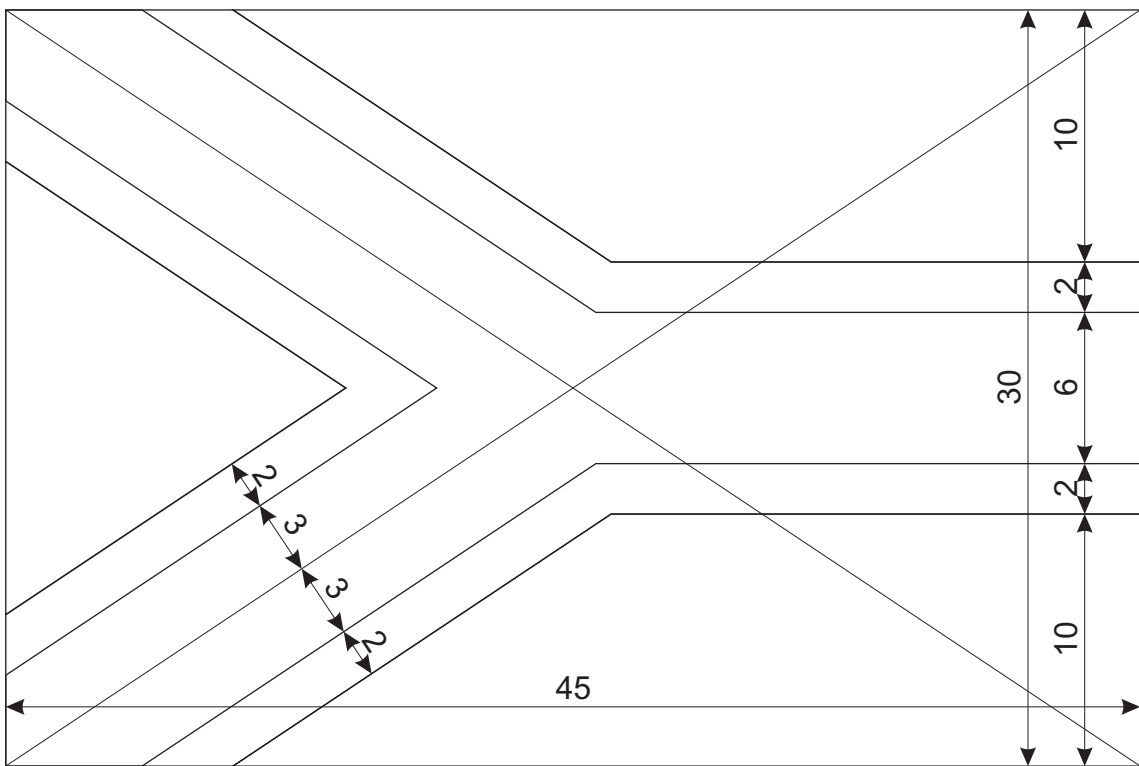


Somalia

Adopted: 1954

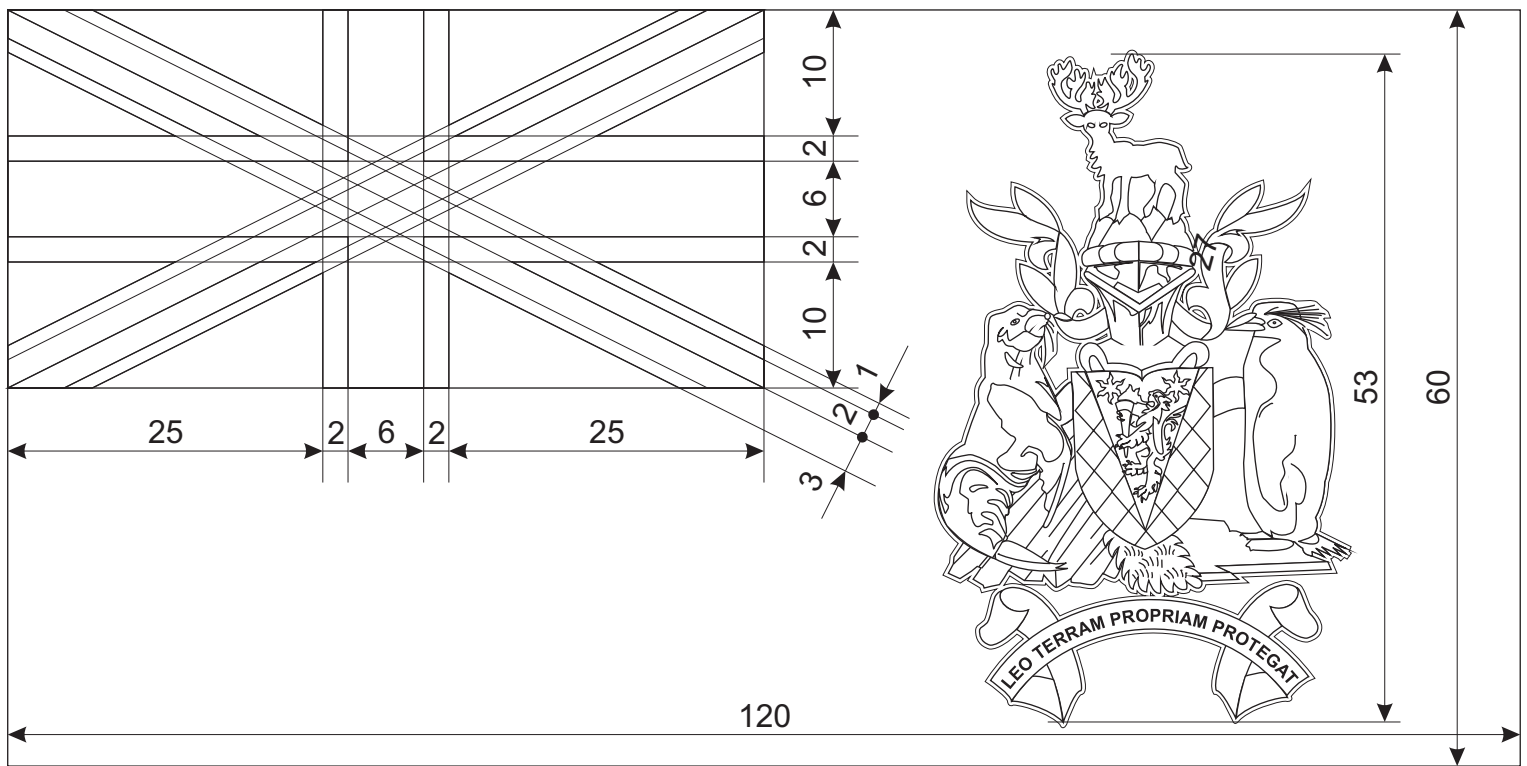
Sources: * dimensions based on customary use

FOTW



South Africa

Adopted: 1994
Sources:
FOTW

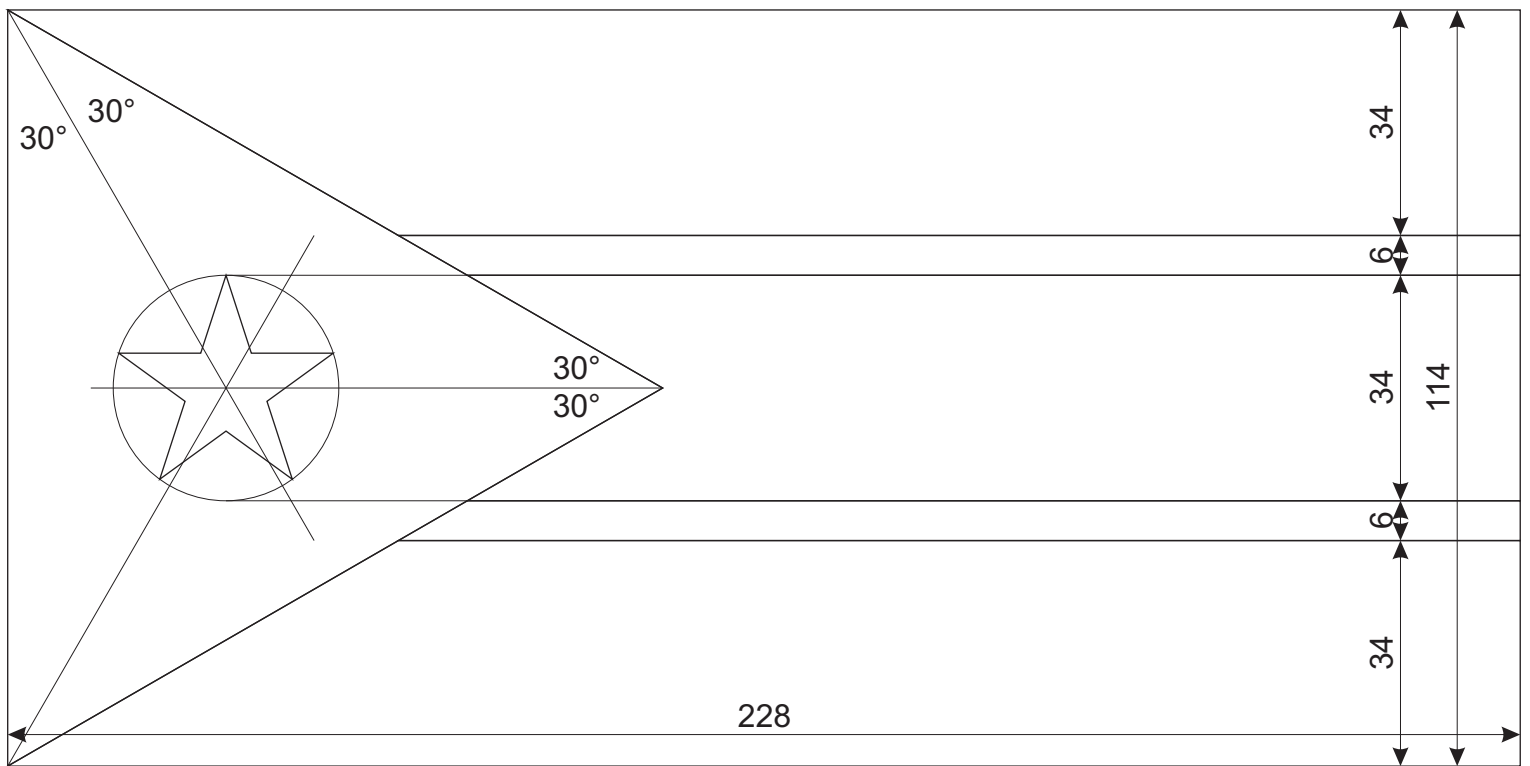


South Georgia and the South Sandwich Islands

Adopted: 1999 (1985)

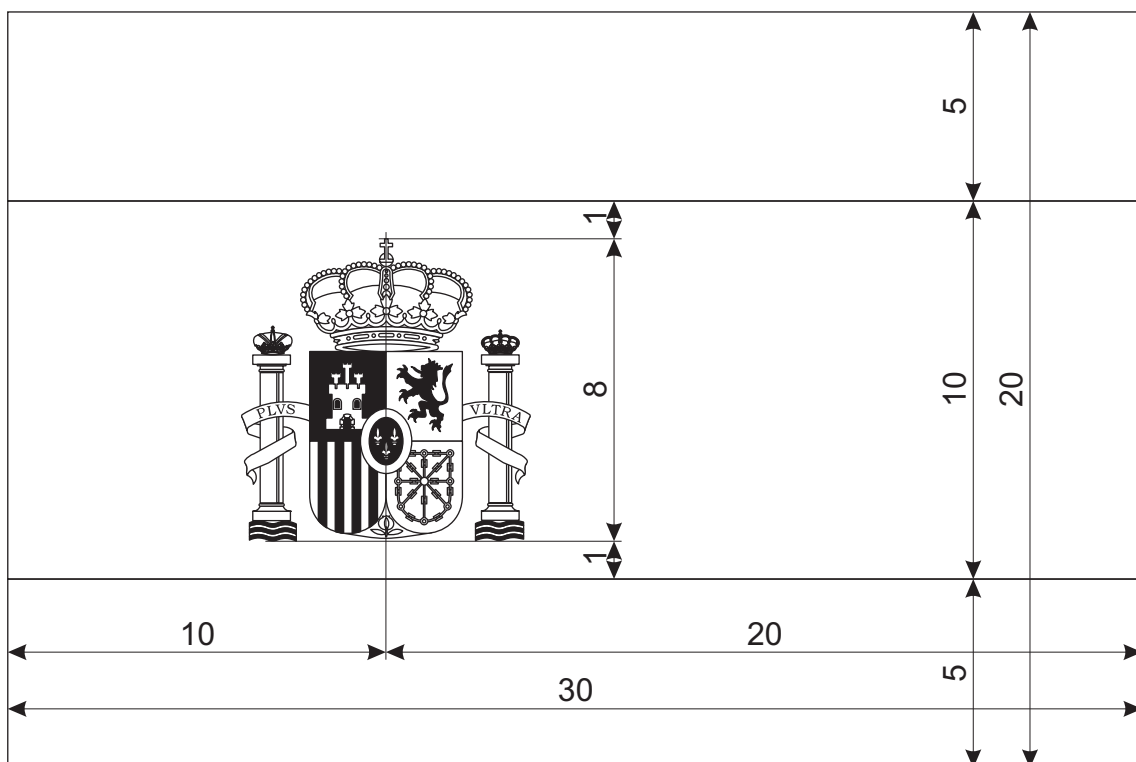
Sources:

FOTW, WFD, BR20, Wikipedia



South Sudan

Adopted: 2011
 Sources: * construction confirmation pending
 FOTW



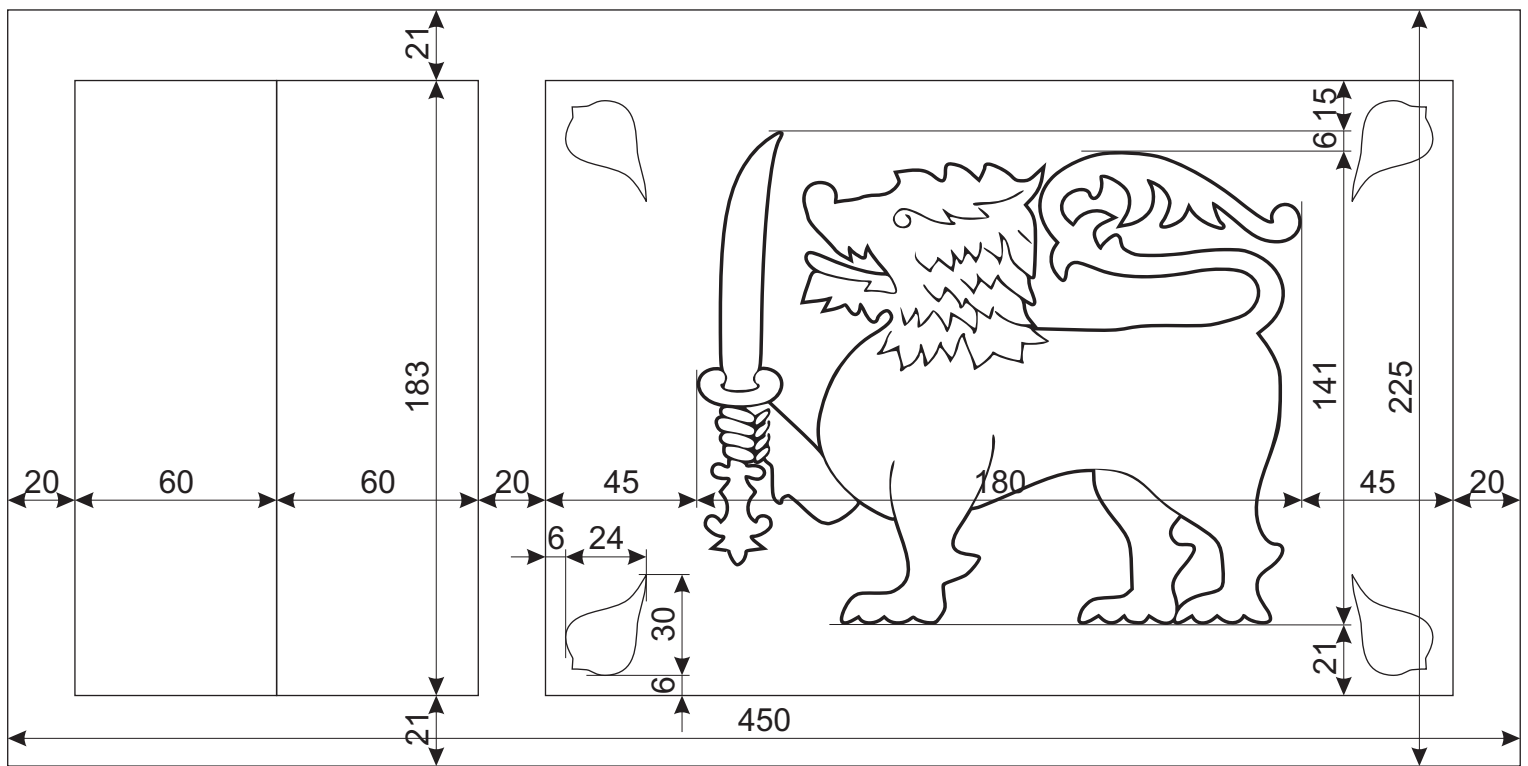
Spain

Adopted: 1978 (1785)

Sources:

FOTW

Real Decreto 2964/1981, de 18 de diciembre (BOE nº 303, de 19 de diciembre de 1981). Escudo y su colocación en la bandera.



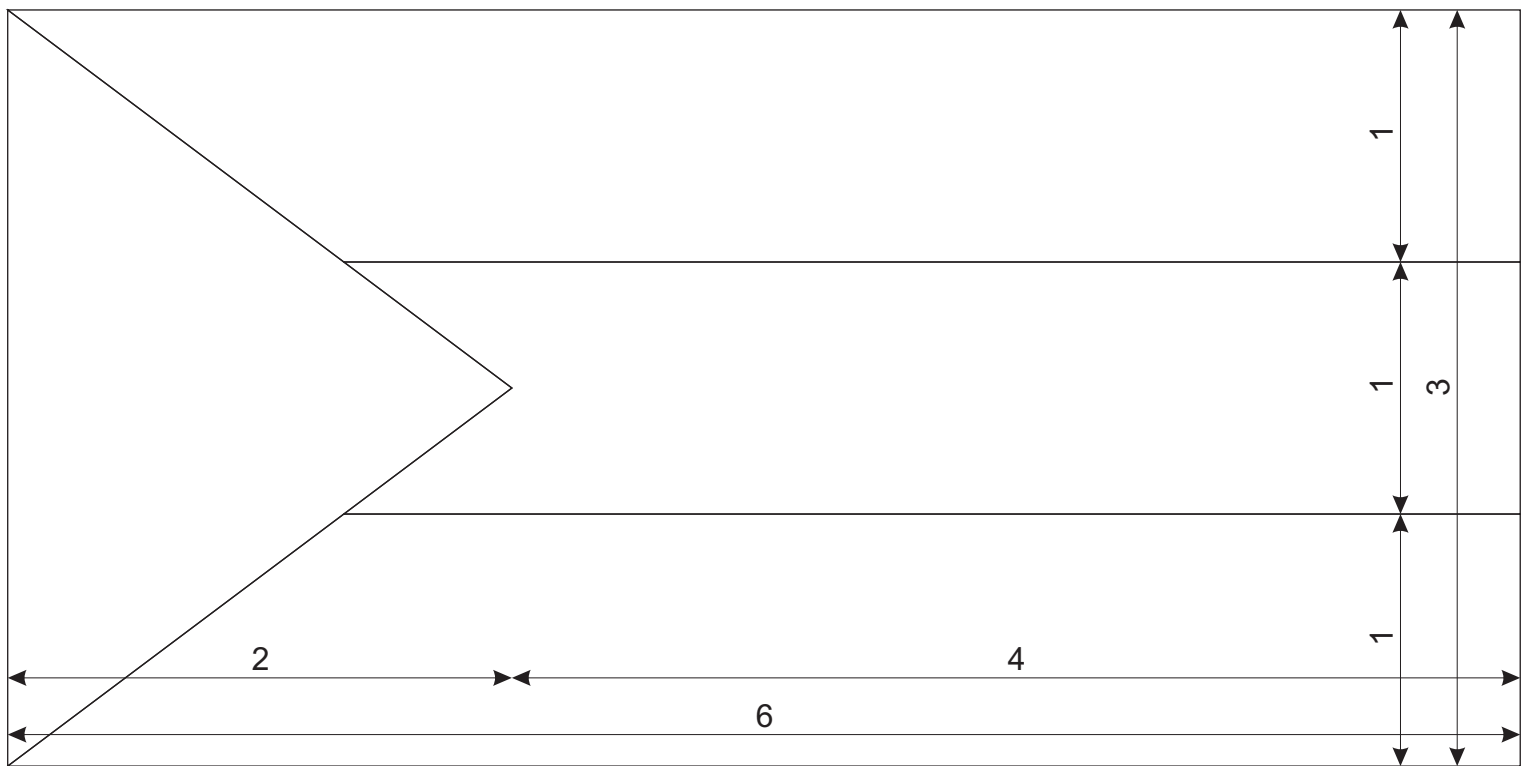
Sri Lanka

Adopted: 1972 (1951)

Sources:

FOTW, Wikipedia

"Specifications for the National Flag of Sri Lanka", Sri Lanka Standards institution, Colombo, 1985.



Sudan

Adopted: 1970

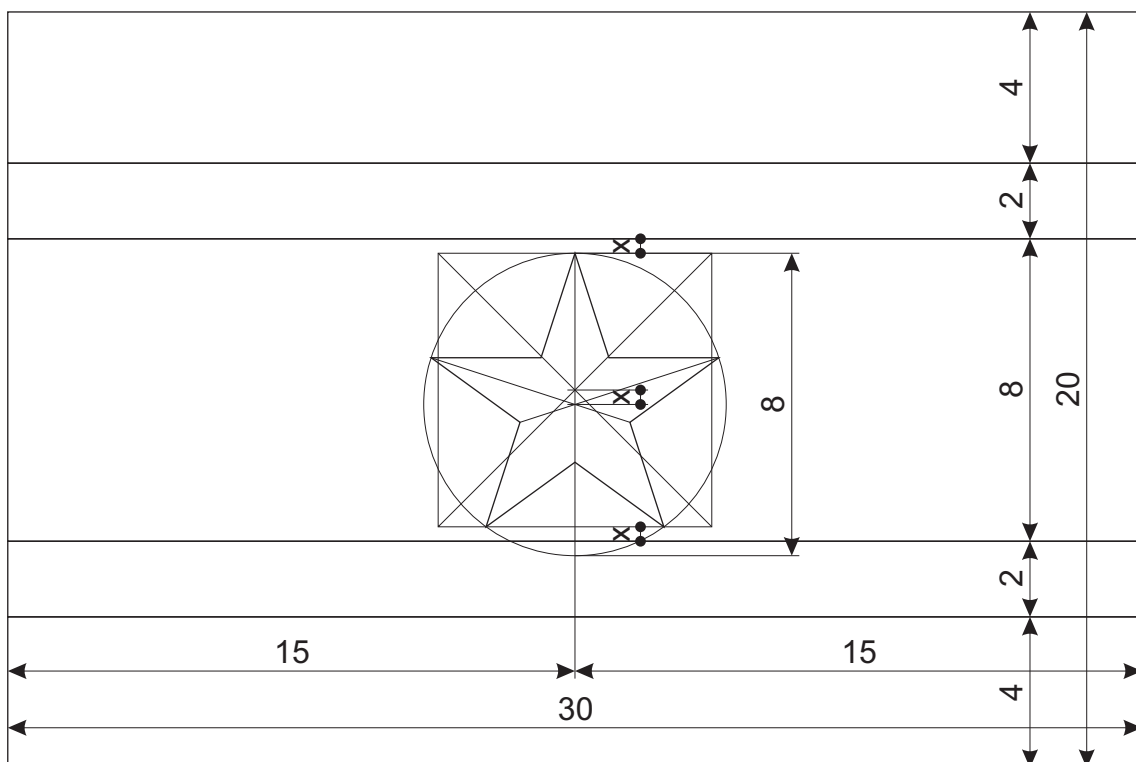
Sources:

FOTW

The National Flag and Foreign States Flags Act, 1959, Sudan Almanac, 1970-71, pp. 9-11

The National Flag and Foreign States Flags (Amendment) Act, 1970, 20.05.1970., Legislative Supplement to the Democratic Republic of Sudan Gazette No. 1106, 15 June 1970, Supplement No. 1: General Legislation, p. 283

National Flag Act of 1993,



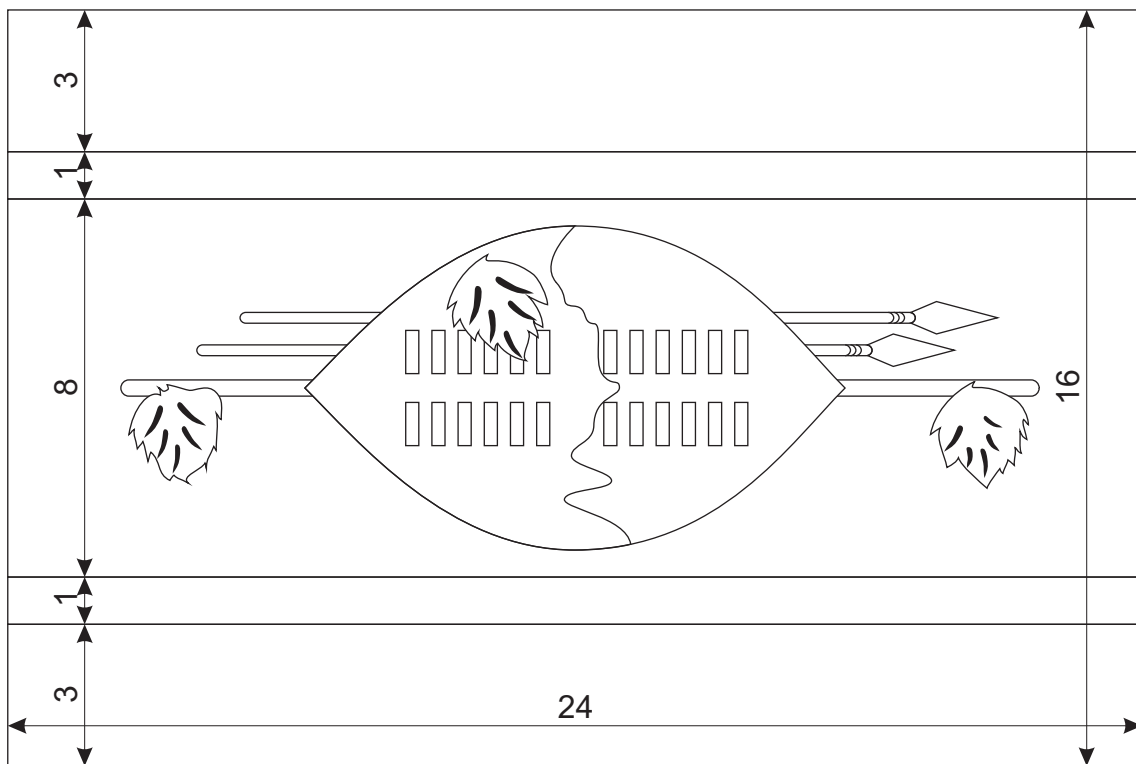
Suriname

Adopted: 1975

Sources:

FOTW

Staatsblad van de Republiek Suriname, No.160, 24 November 1975



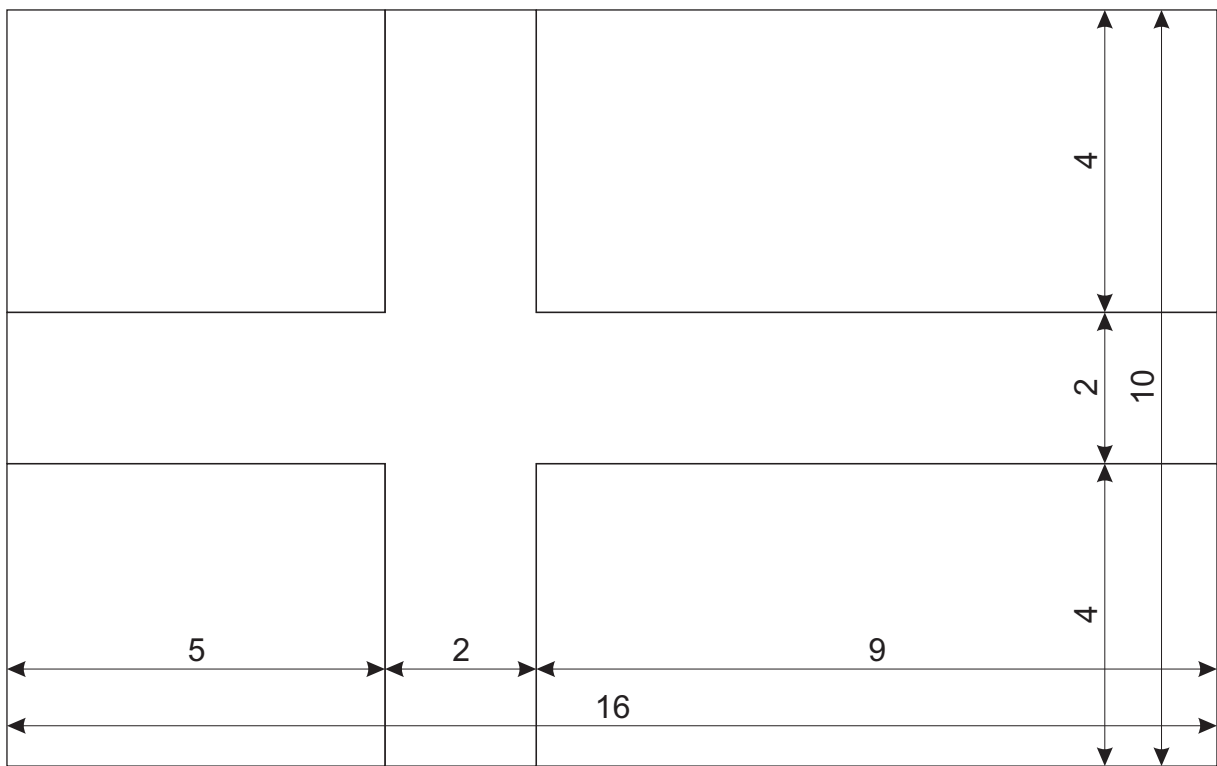
Swaziland

Adopted: 1968

Sources:

FOTW

Swaziland Act No. 36 of 1968

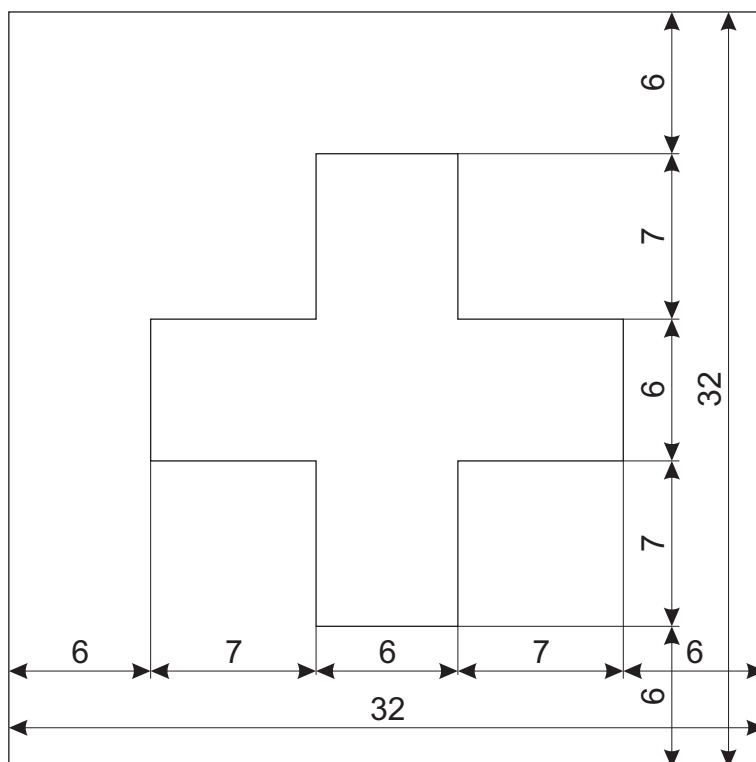


Sweden

Adopted: 1906 (1663)

Sources:

FOTW



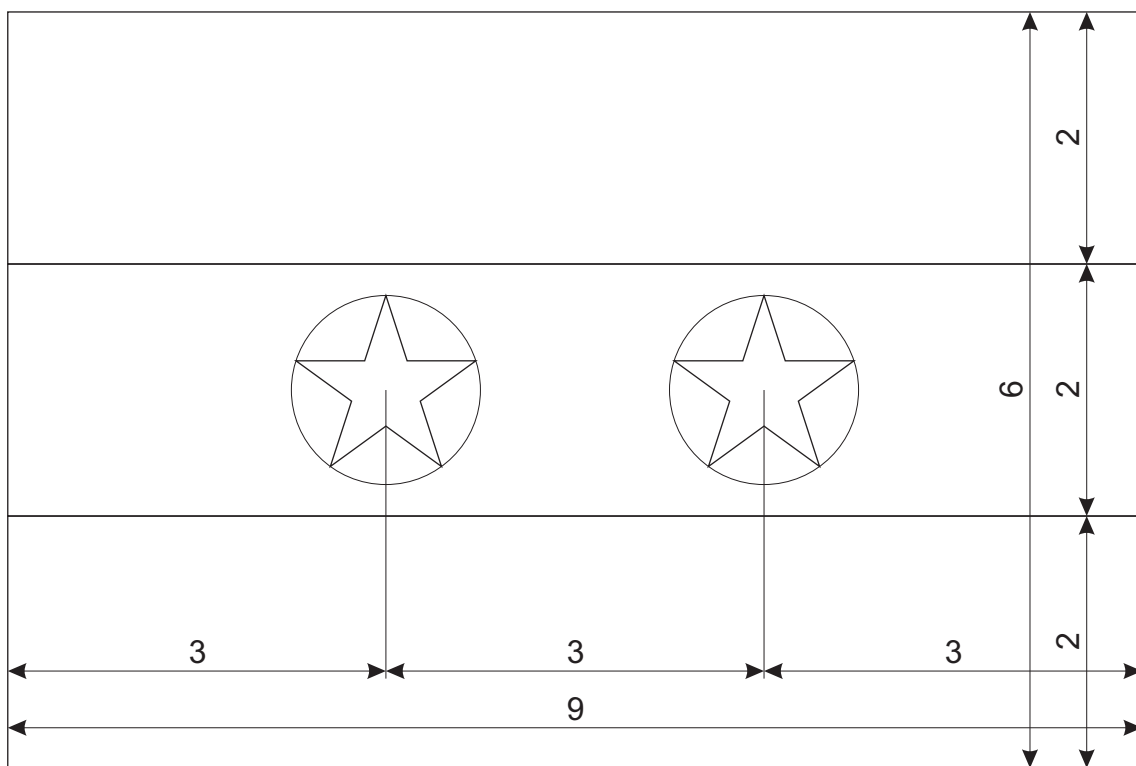
Switzerland

Adopted: 1889

Sources: * the size of the cross relative to the flag field is not defined, here per current customary use, based on what is defined for the merchant ensign
FOTW

Bundesbeschluss vom 12. Dezember 1889 betreffend das eidgenössische Wappen, SR 111, <http://www.admin.ch/ch/d/sr/1/111.de.pdf>

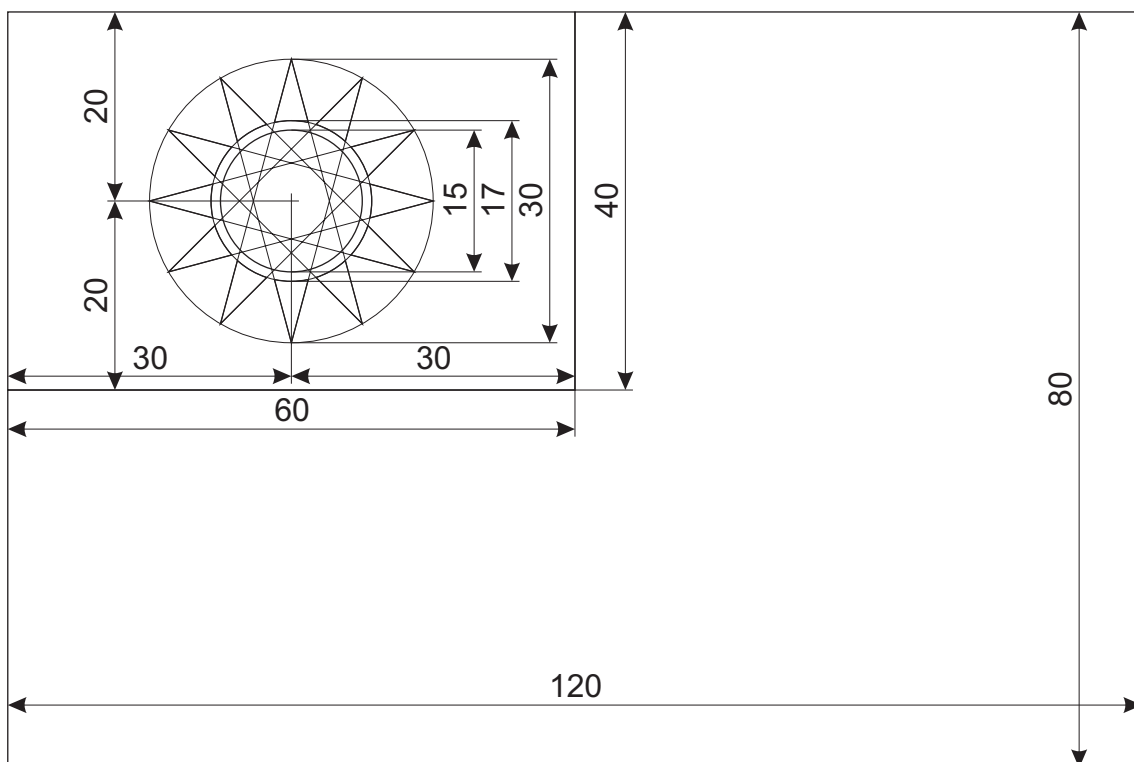
Bundesgesetz über die Seeschifffahrt unter der Schweizer Flagge (Seeschifffahrtsgesetz), SR 747.30, vom 23. September 1953 (Stand am 1. Januar 2011) <http://www.admin.ch/ch/d/sr/7/747.30.de.pdf>



Syria

Adopted: 1980 (1958)

Sources: * the size, position and orientation of the stars varies in use
FOTW



Taiwan, Republic of China

Adopted: 1947 (1928)

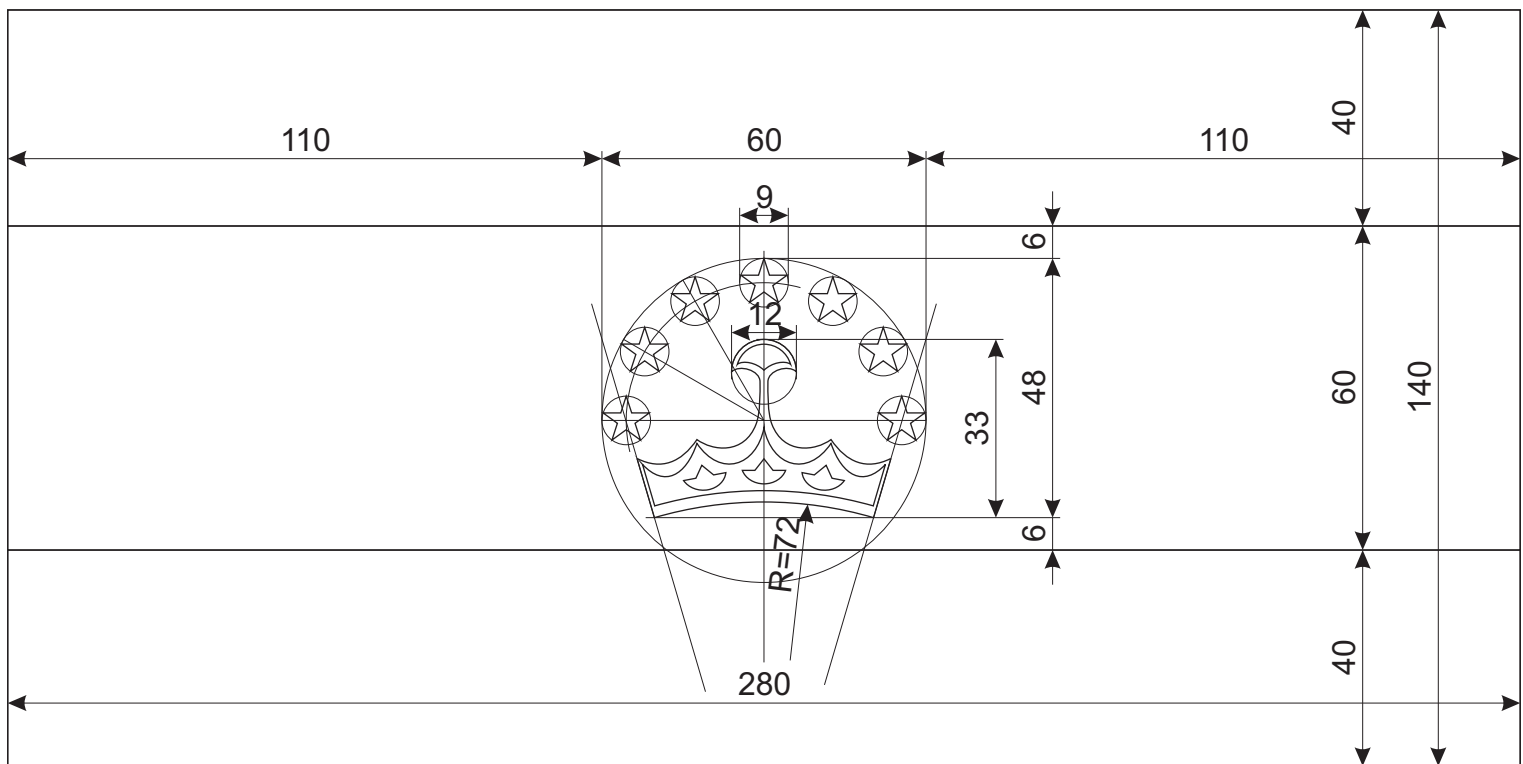
Sources:

FOTW

中華民國國徽國旗法. 1954-10-23. <http://www.globalflag.idv.tw/wg/gqf.htm>

Yu-liang, Tai (2006-05-19). "黨旗國旗之製造及使用辦法",

<http://www.globalflag.idv.tw/wg/gqfggy.htm#zzjsybf>



Tajikistan

Adopted: 1992

Sources:

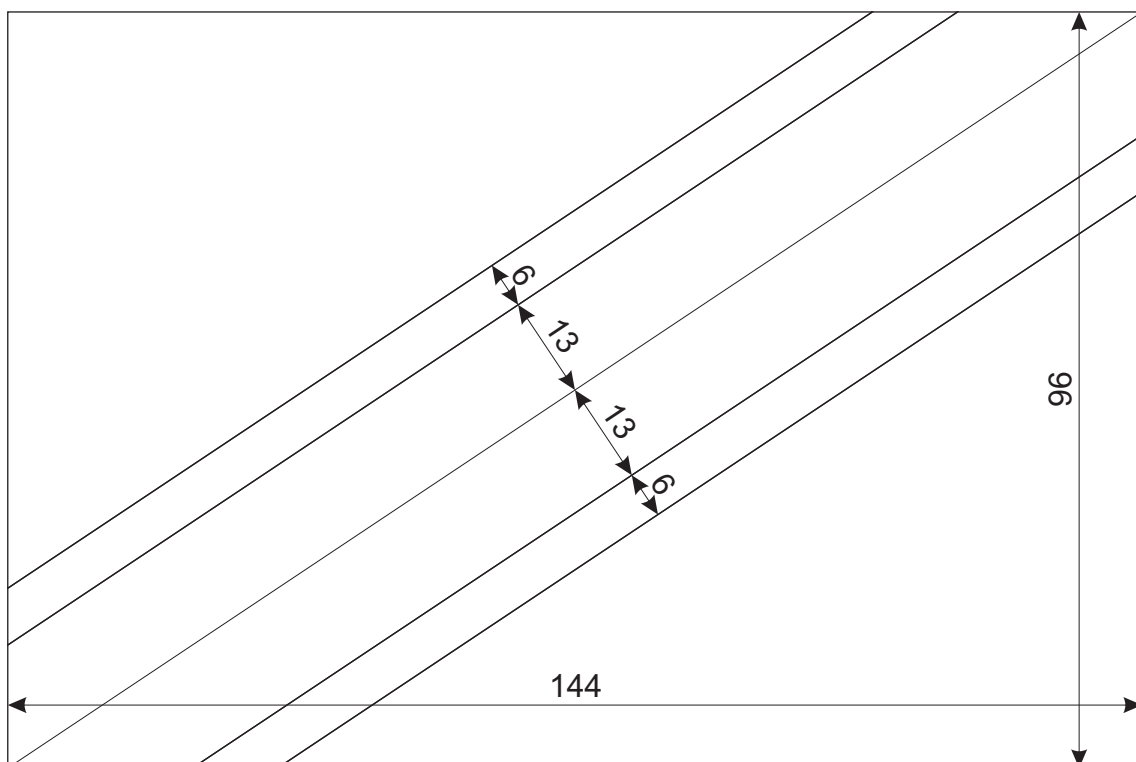
FOTW

Низомнома дар бораи Парчами давлатии Ҷумҳурии Тоҷикистон ки 11 декабри соли 1999 бо Қарори № 892

Маҷлиси Олии Ҷумҳурии Тоҷикистон | Положение о государственном флаге Республики Таджикистан, 11

декабря 1999 года, № 892 Маджлиси Оли Республики Таджикистан, <http://www.president.tj/parcham.htm> |

<http://www.president.tj/rus/parcham.htm>



Tanzania

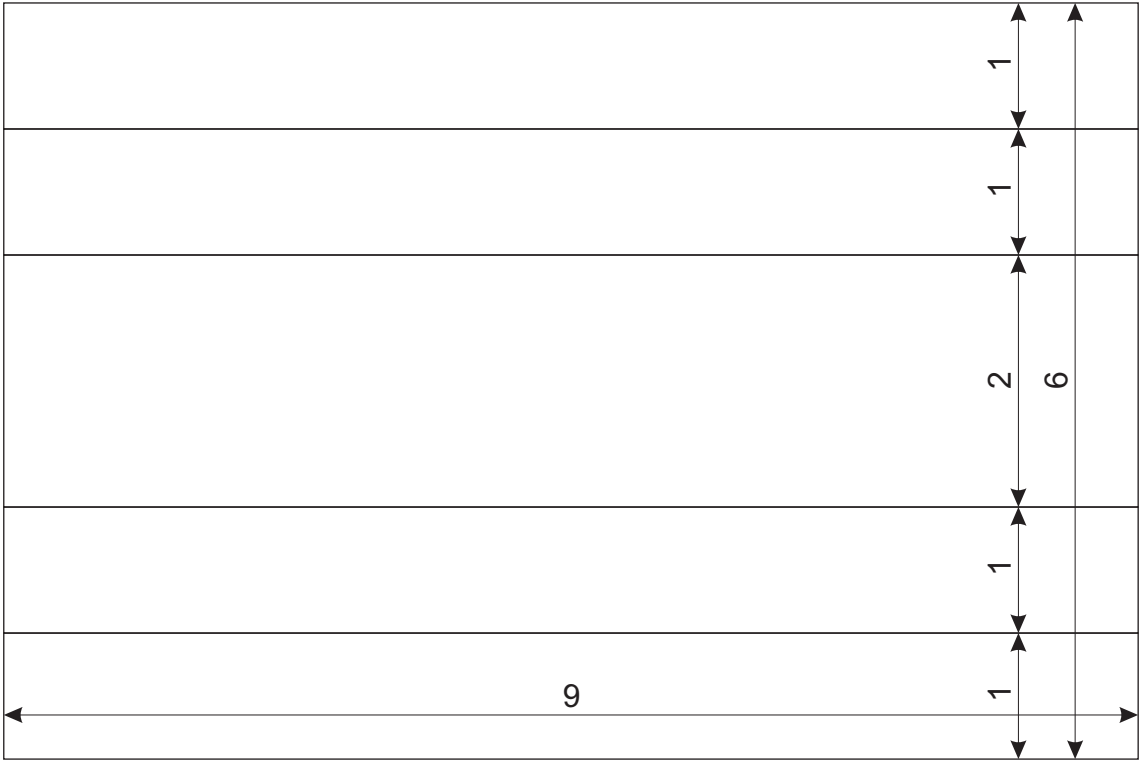
Adopted: 1964

Sources:

FOTW

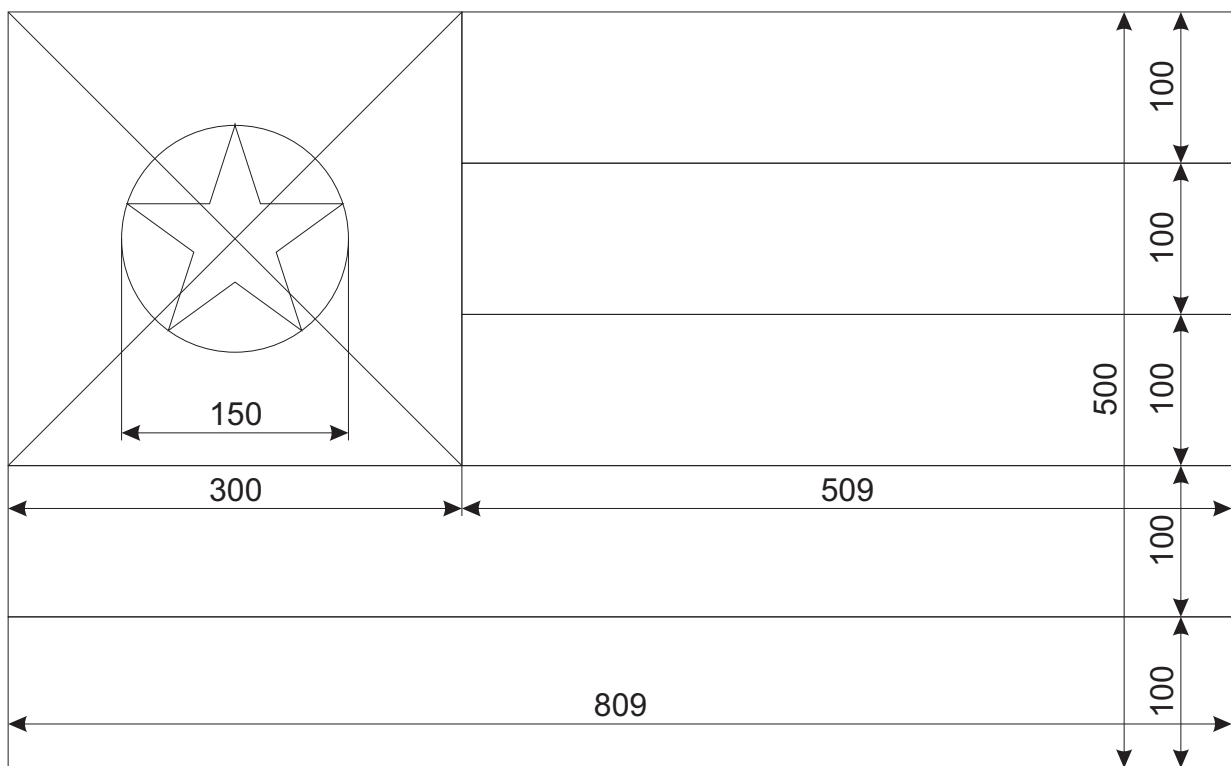
National Flag and Coat of Arms Act, 1971 , 7 May 1971

<http://www.wipo.int/wipolex/en/details.jsp?id=11108>



Thailand

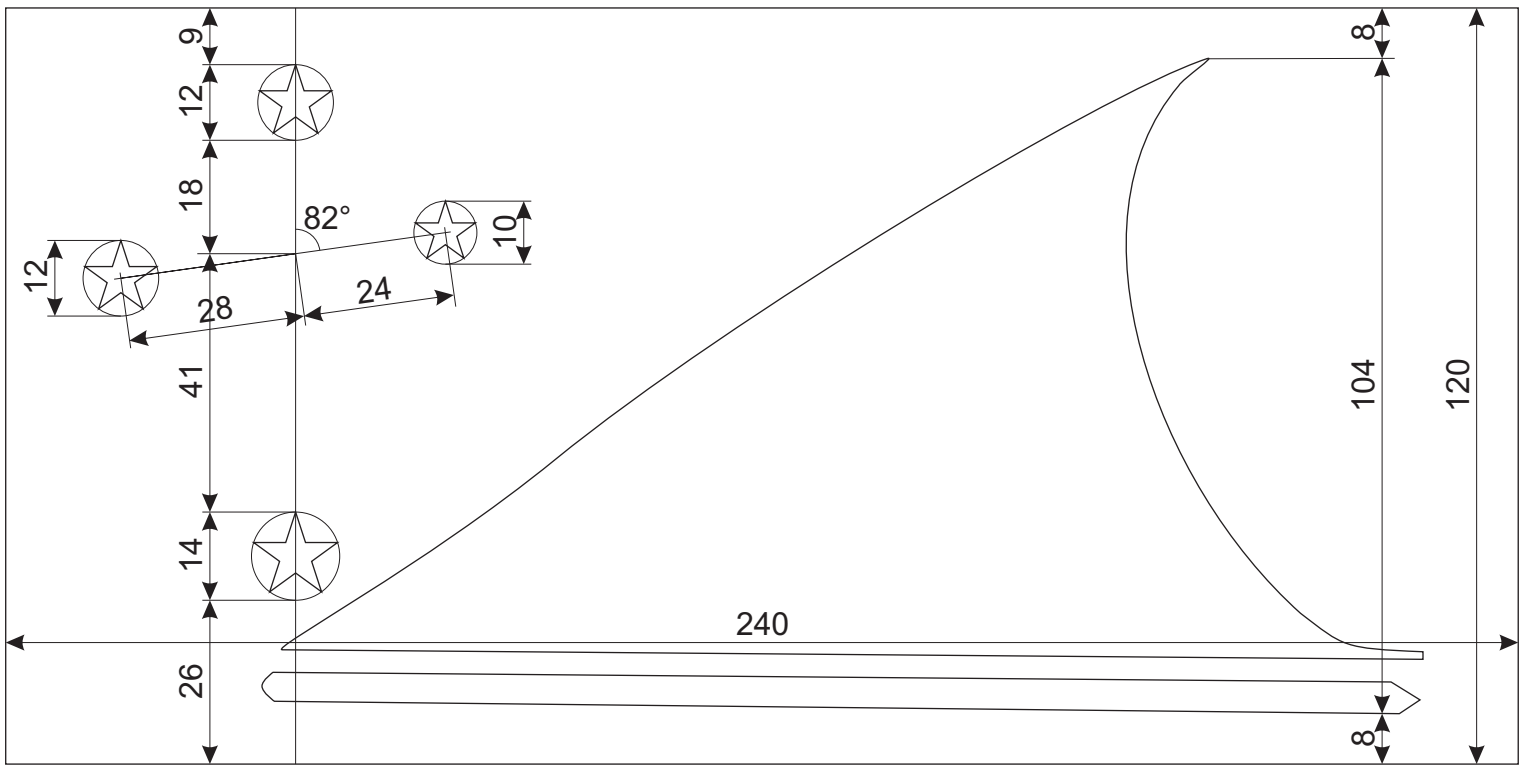
Adopted: 1917
Sources:
FOTW



Togo

Adopted: 1960

Sources: * ratio said to be the Golden Section 1:1.618..., size of star varies in sources
FOTW

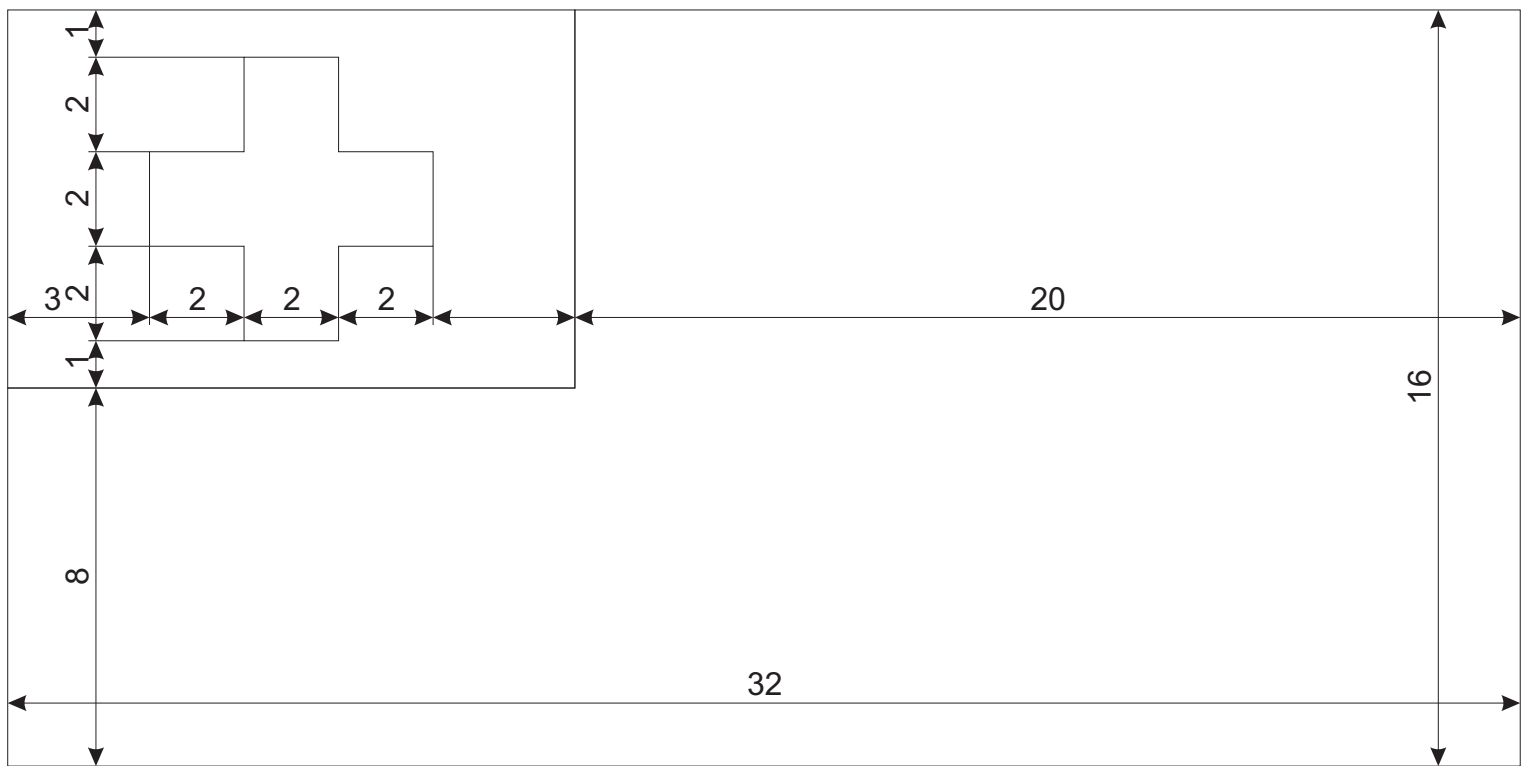


Tokelau

Adopted: 2009

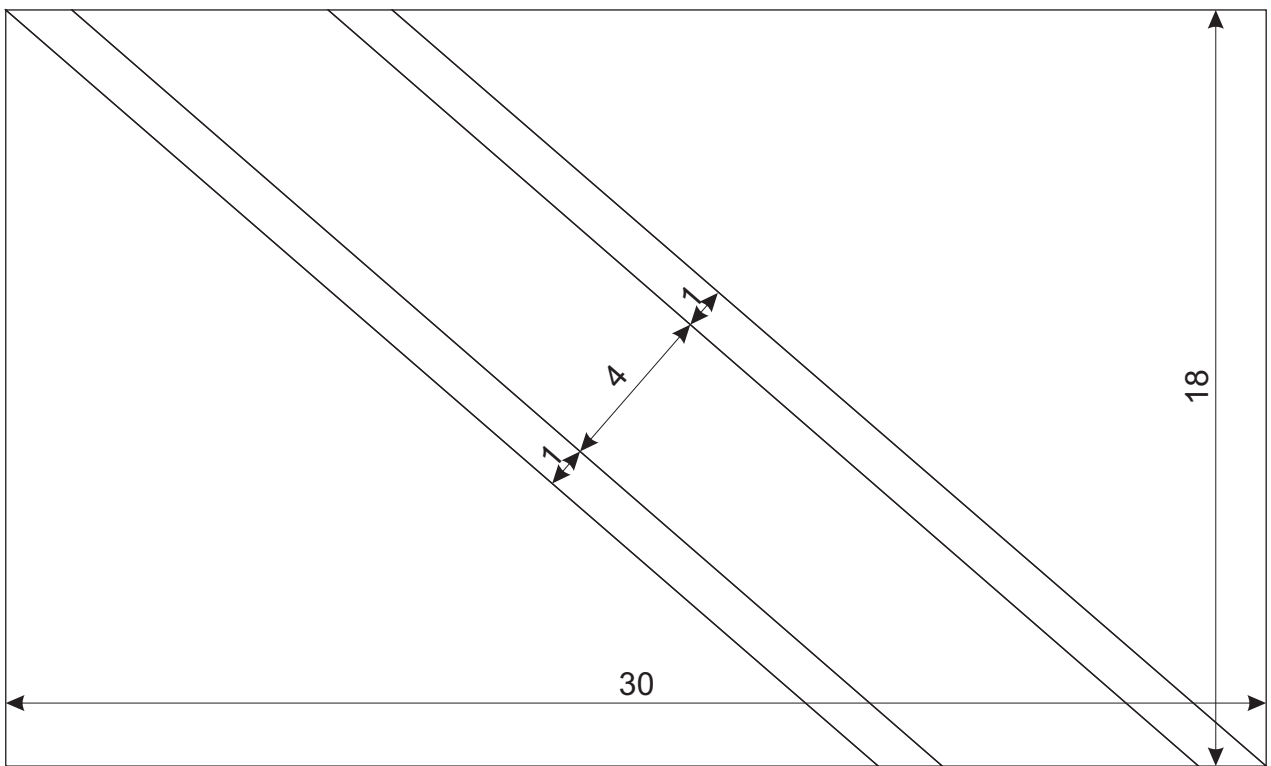
Sources: * unfinished - details yet unclear

FOTW



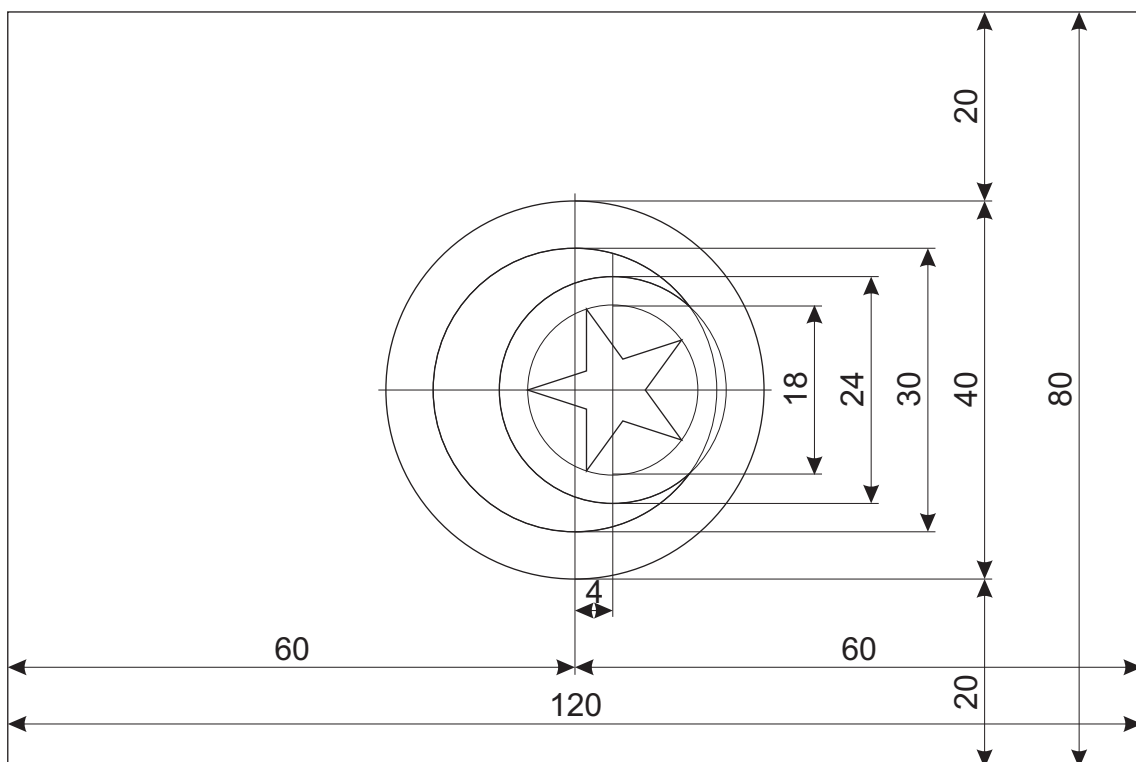
Tonga

Adopted: 1875
Sources:
FOTW



Trinidad and Tobago

Adopted: 1962
Sources:
FOTW



Tunisia

Adopted: 1999 (1831)

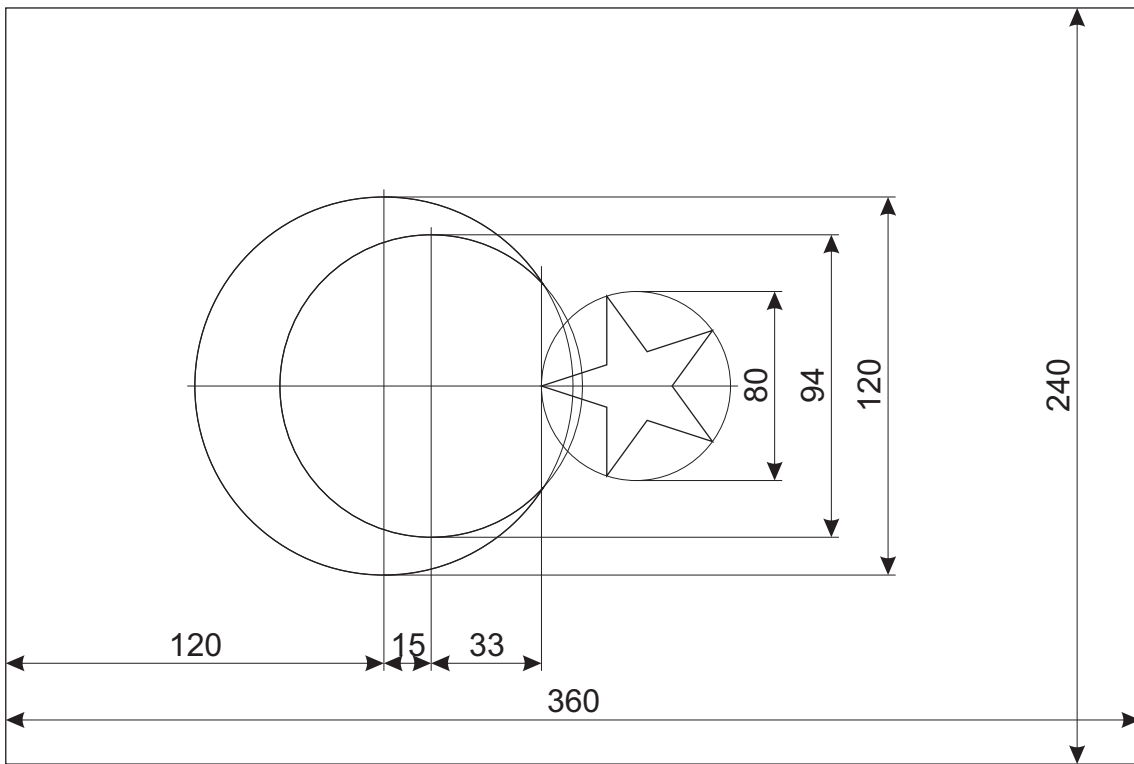
Sources:

FOTW

Loi organique, No. 99-56, 30 June 1999, Journal Officiel de la Republique

Tunisienne, No. 54 (P.1088), 6 July 1999

<http://www.cnudst.rnrt.tn/jortsrc/1999/1999f/jo05499.pdf>



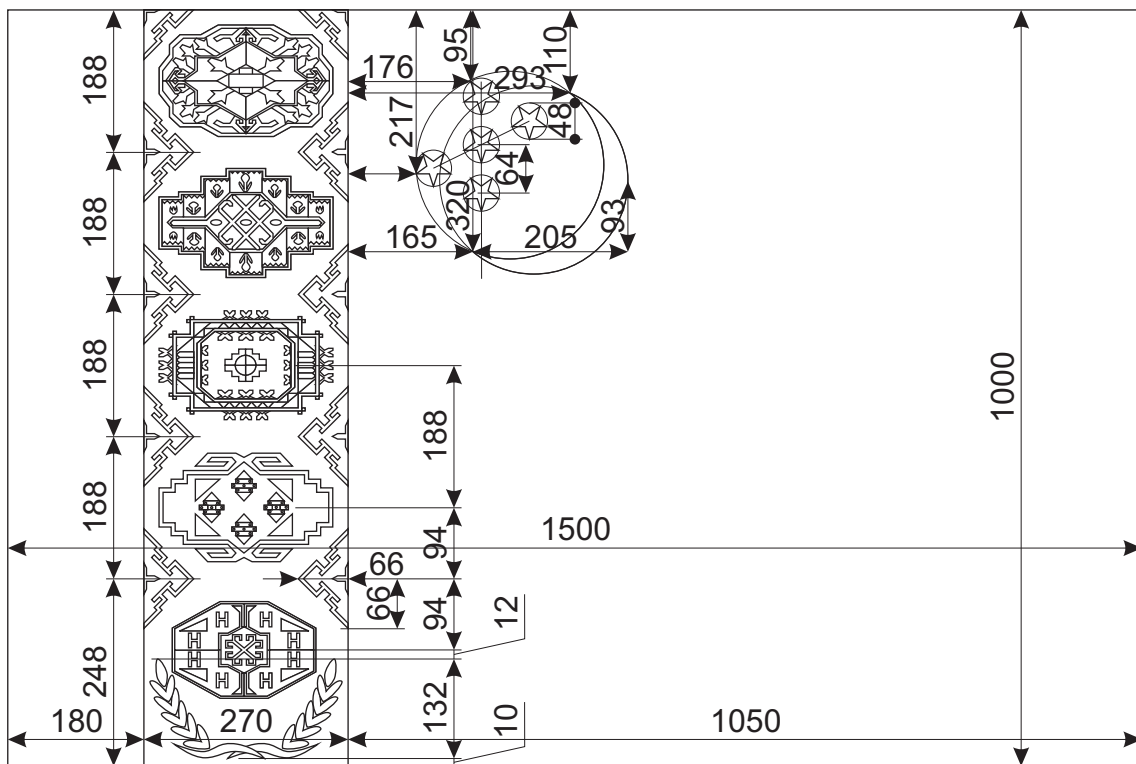
Turkey

Adopted: 1983 (1936, 1844)

Sources:

FOTW

Türk Bayrağı Kanunu, Nr. 2893, 22.09.1983, Resmi Gazete, Nr. 18171,
24.09.1983 <http://www.ttk.org.tr/index.php?Page=Sayfa&No=81>

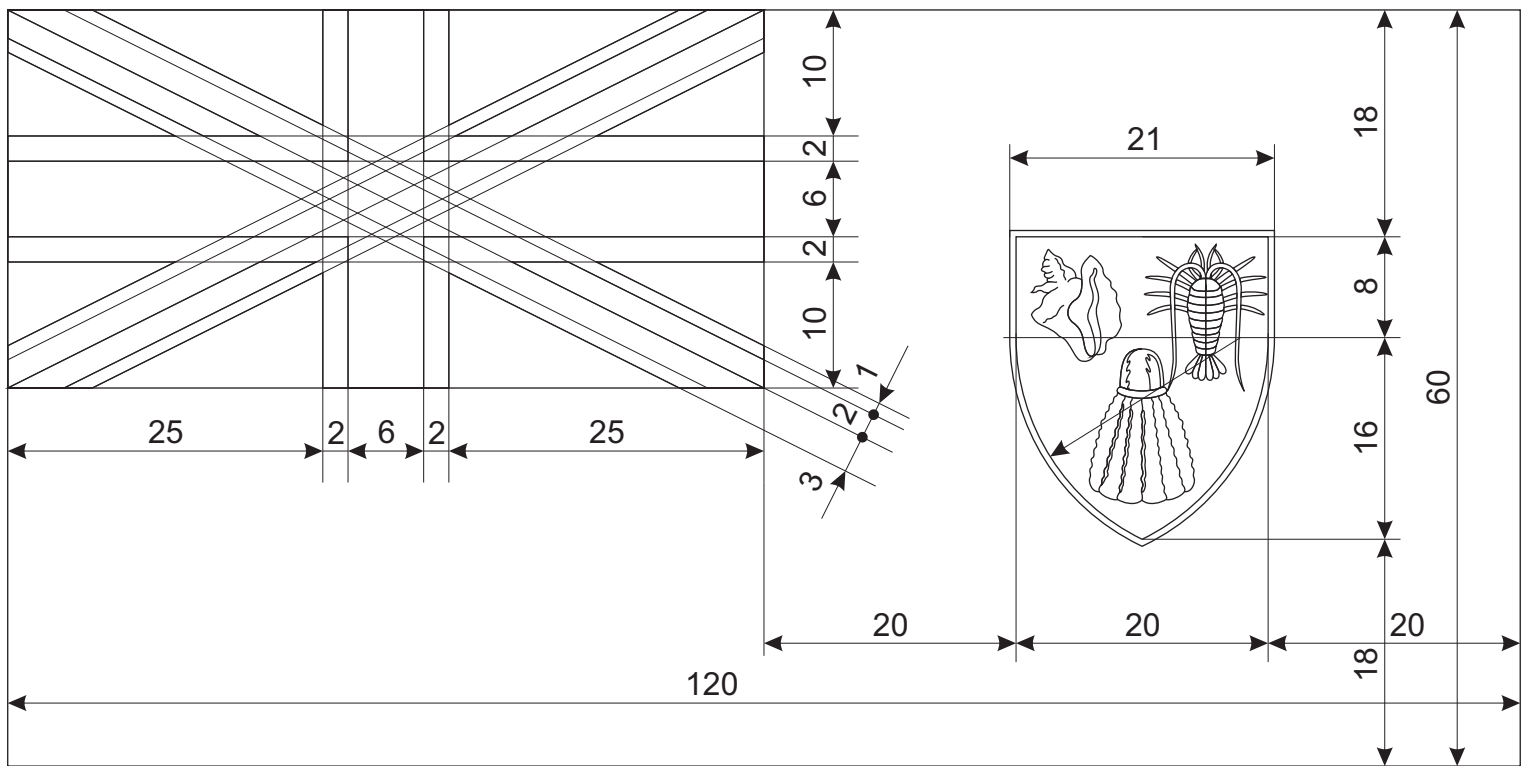


Turkmenistan

Adopted: 2001 (1997, 1992)

Sources:

FOTW

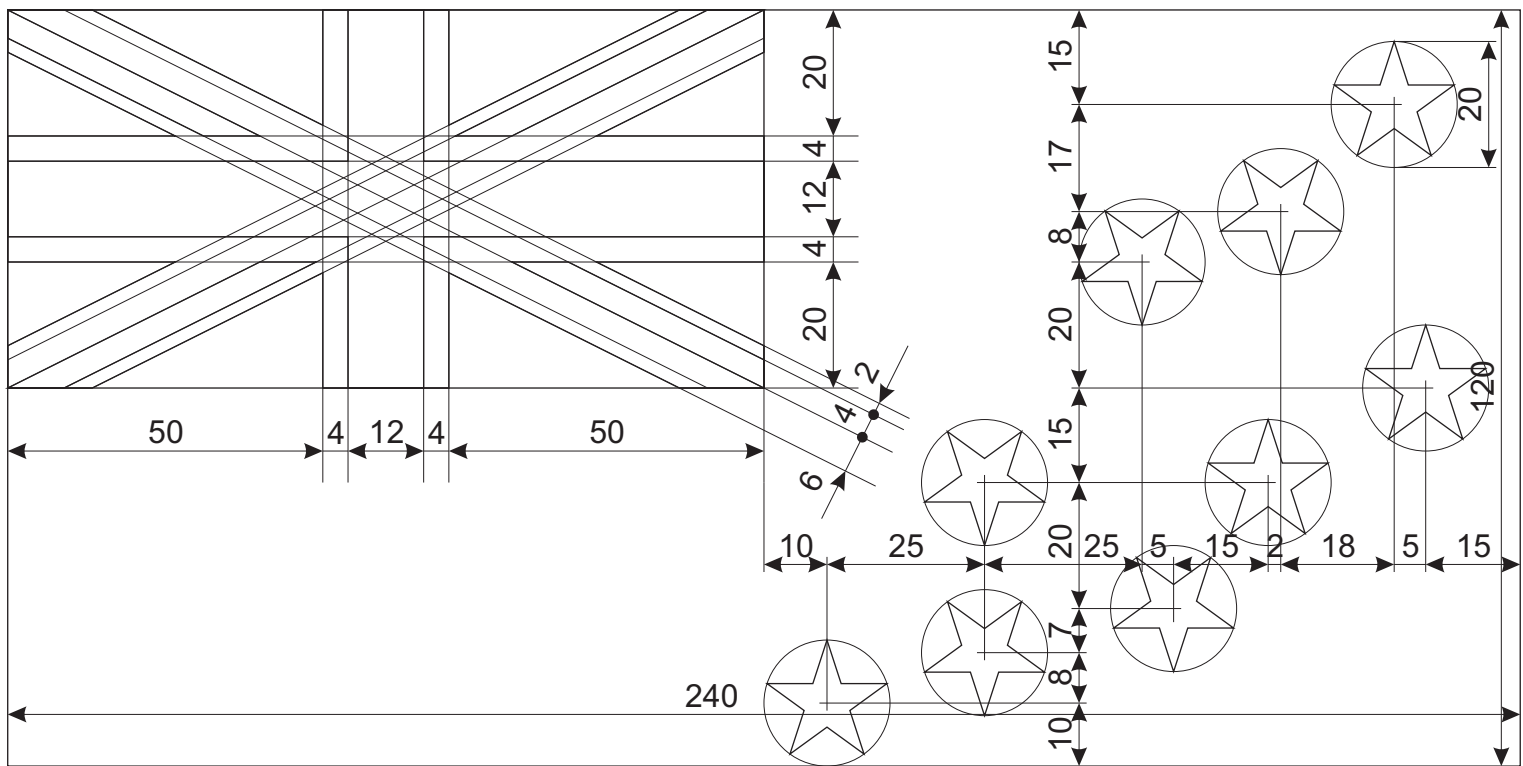


Turks and Caicos Islands

Adopted: 1999 (1968)

Sources:

FOTW, WFD, BR20, Wikipedia

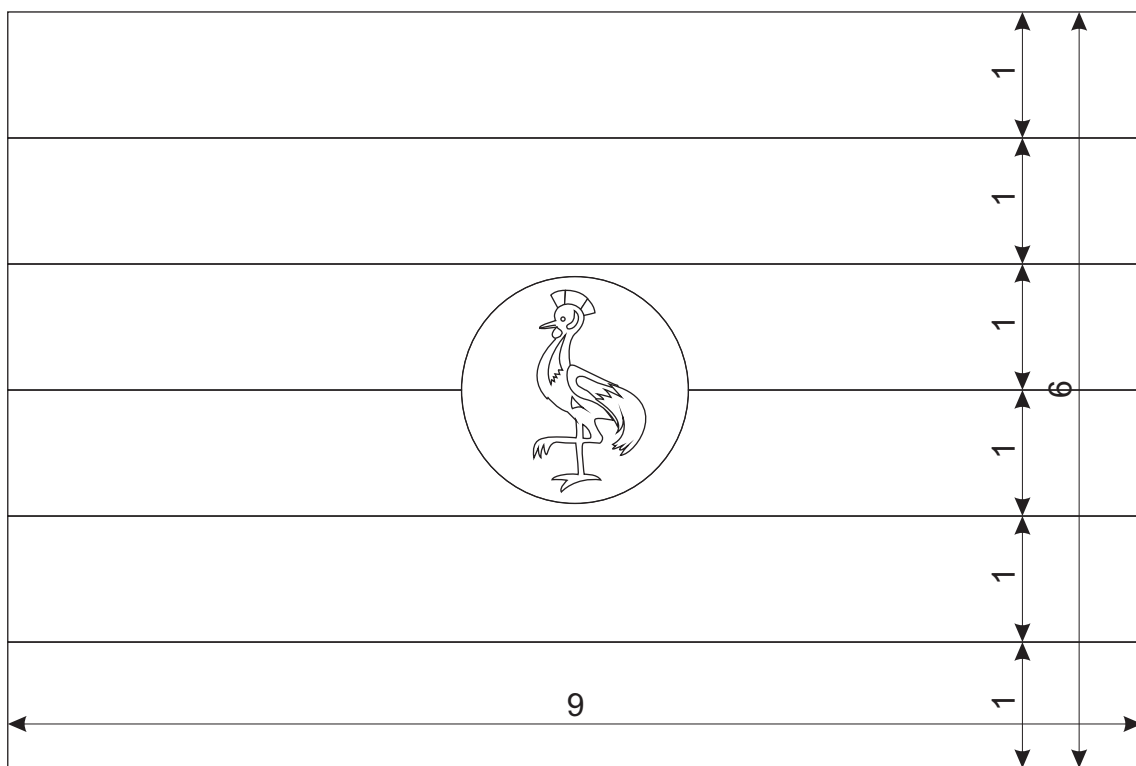


Tuvalu

Adopted: 1968

Sources:

FOTW, WFD, BR20



Uganda

Adopted: 1962

Sources: * the overall ratio and emblem size not fixed

FOTW

National Flag and Armorial Ensigns Act 1962, Chapter 254, 9 October 1962,

http://www.ulii.org/ug/legis/consol_act/nfaaea1962296/

Presidential Standard Act 1963 (Ch 265), 9 October 1963,

http://www.ulii.org/ug/legis/consol_act/psa1963214/psa1963214.html



Ukraine

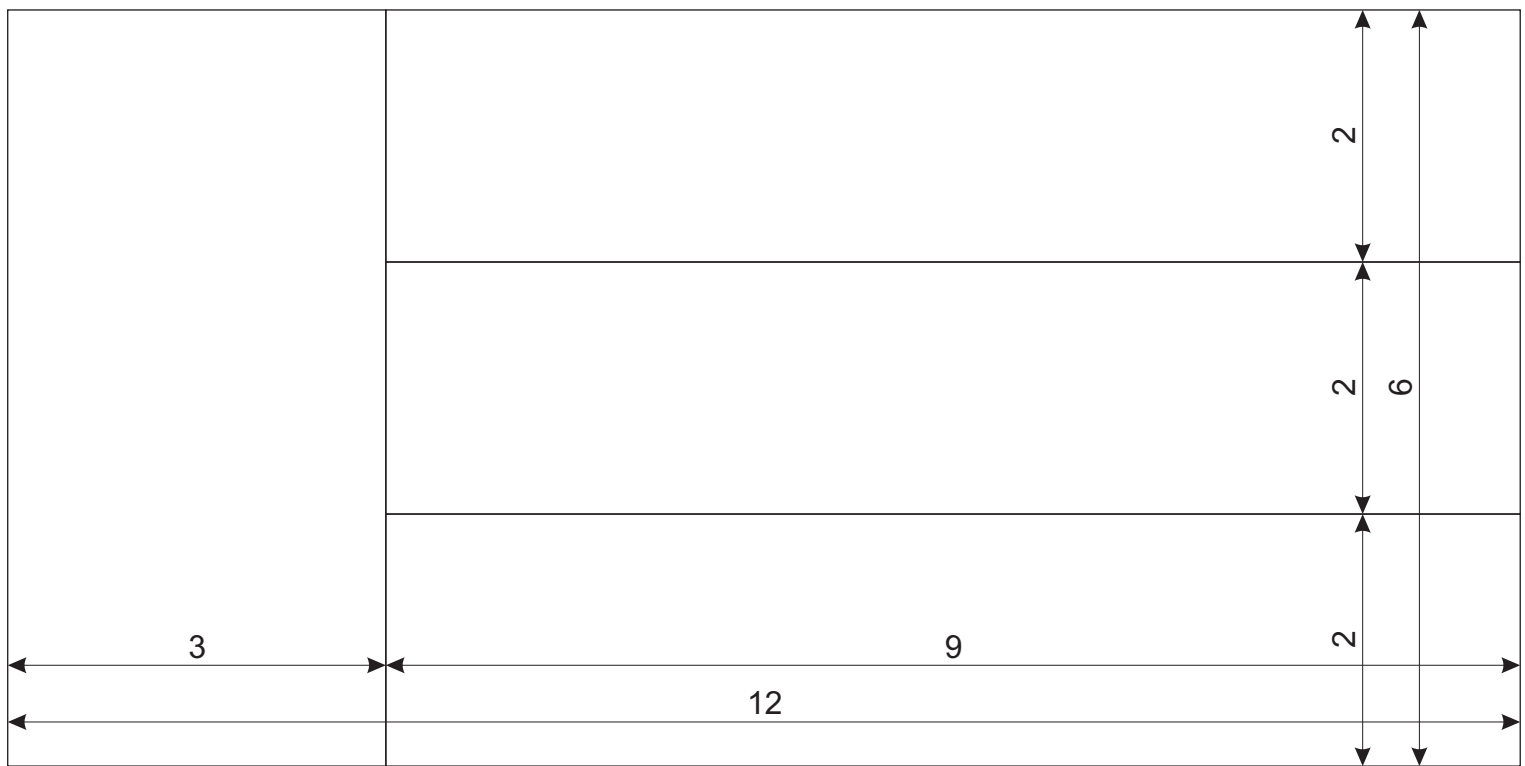
Adopted: 1992 (1918)

Sources:

FOTW

Постанова Верховної Ради України Про Державний прапор України,
28.01.1992 № 2067-XII

http://search.ligazakon.ua/l_doc2.nsf/link1/T206700.html



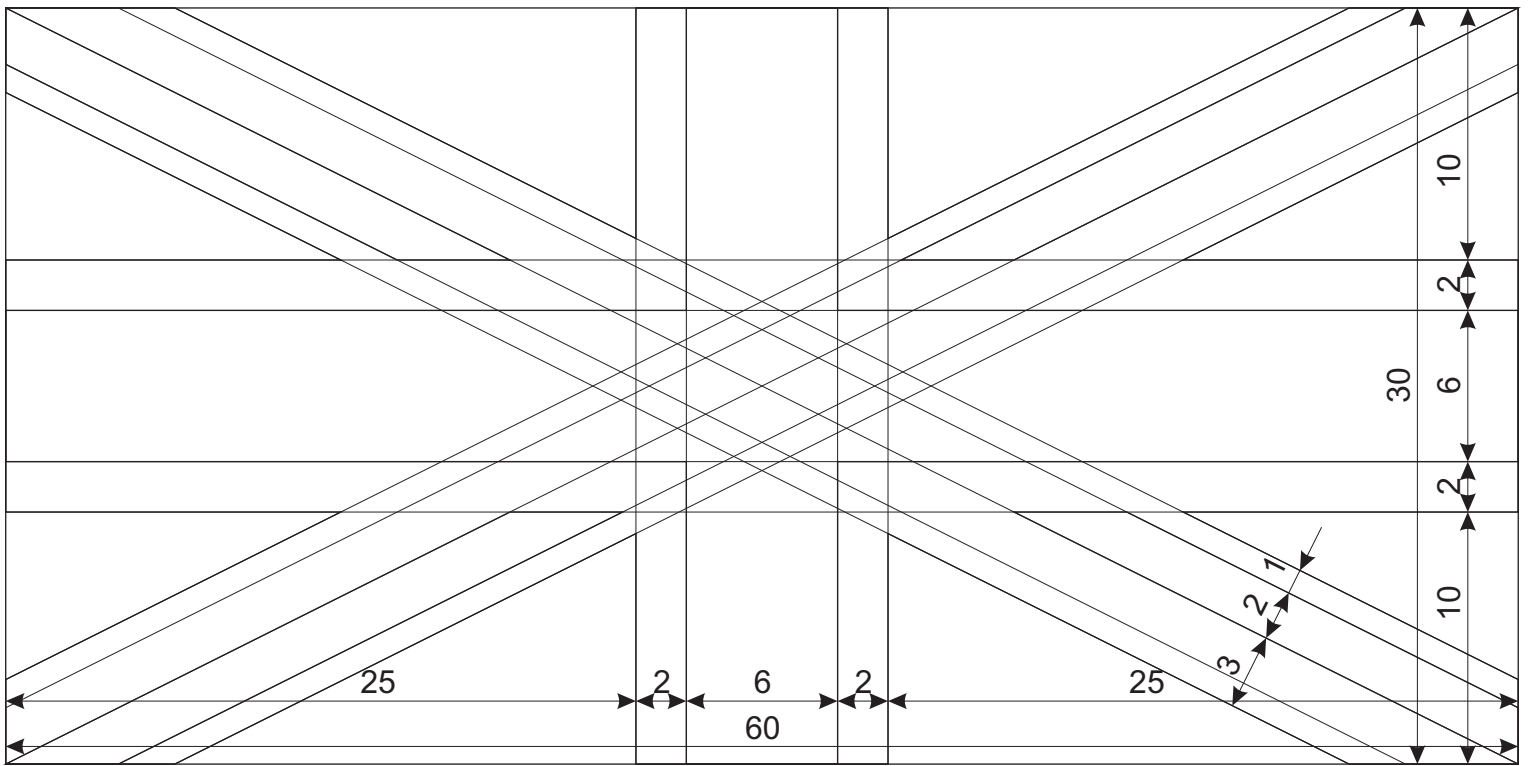
United Arab Emirates

Adopted: 1971

Sources:

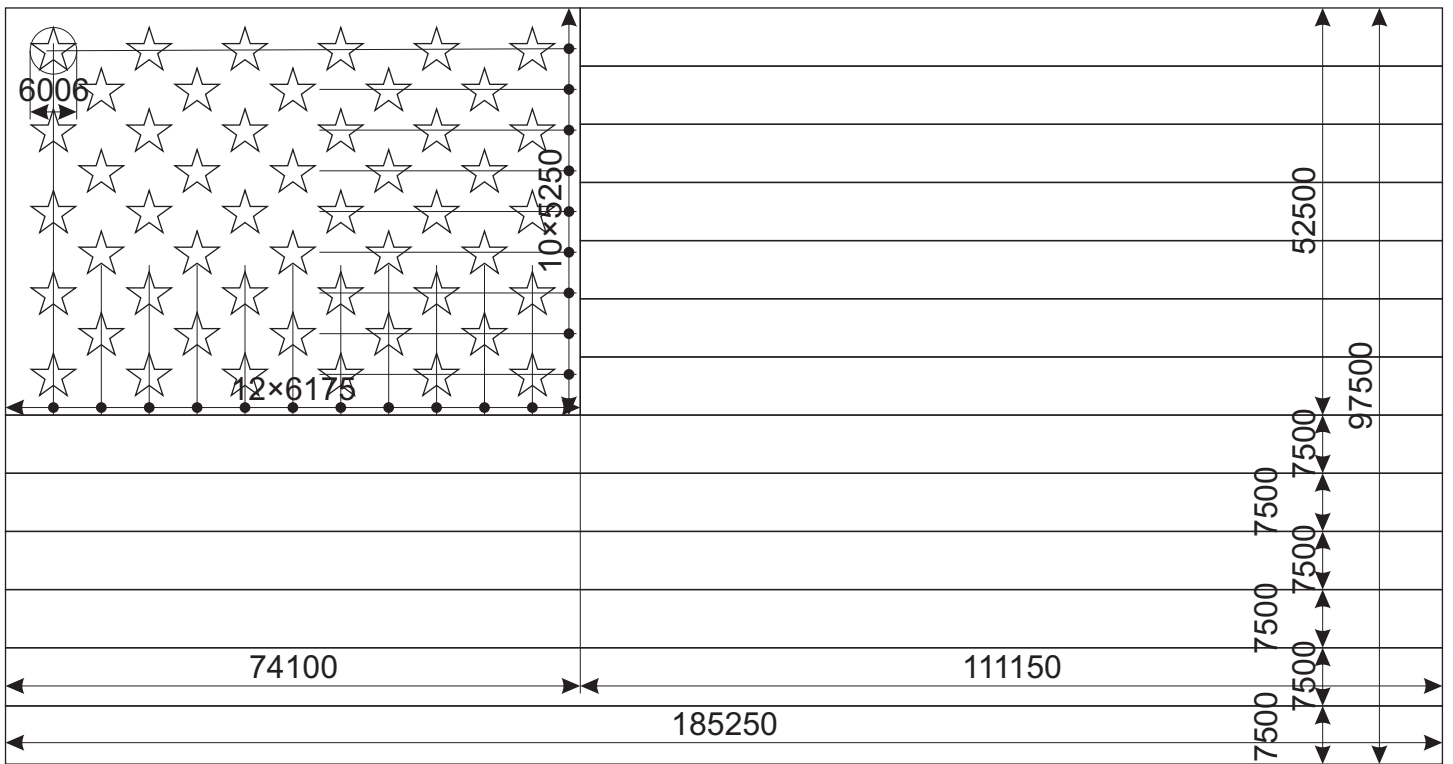
FOTW

Law No.(2) 1971 About the Flag of the Union, 21 December 1971.



United Kingdom

Adopted: 1801
Sources:
FOTW



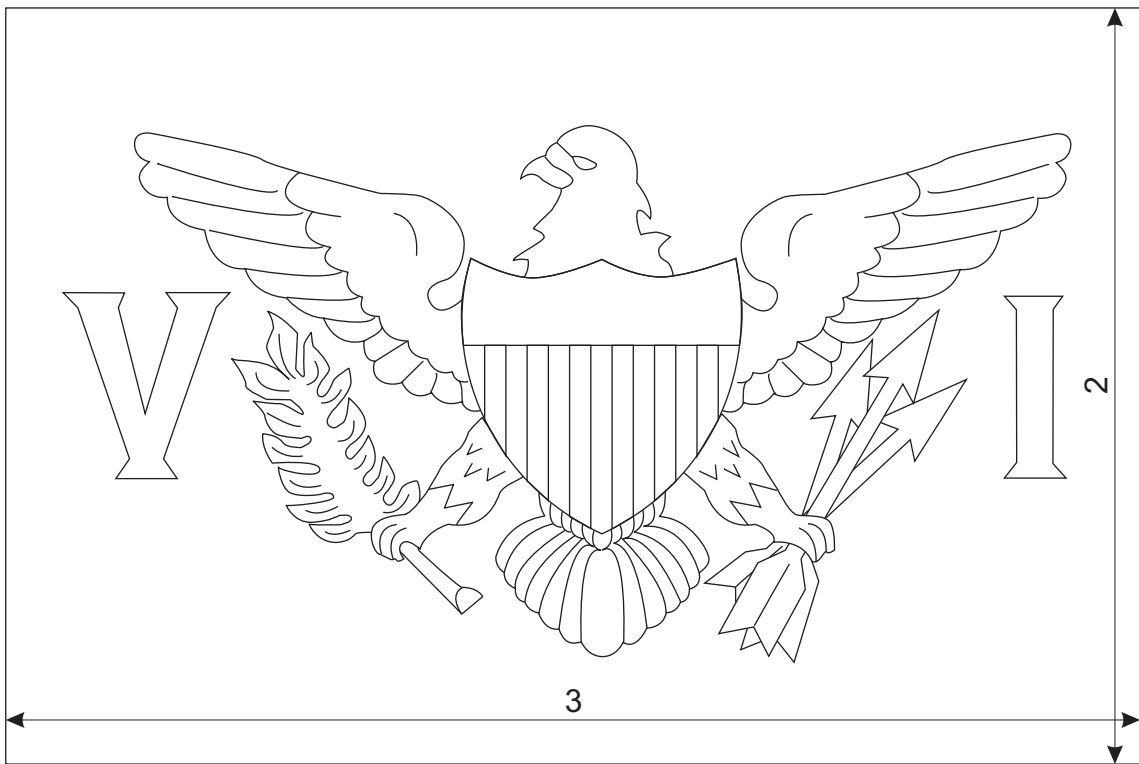
United States

Adopted: 1960 (1777)

Sources:

FOTW

Executive Order 10834 by President of the United States, The Flag of the United States: Proportions and Sizes of Flags and Position of Stars, 21 August 1959, http://en.wikisource.org/wiki/Executive_Order_10834



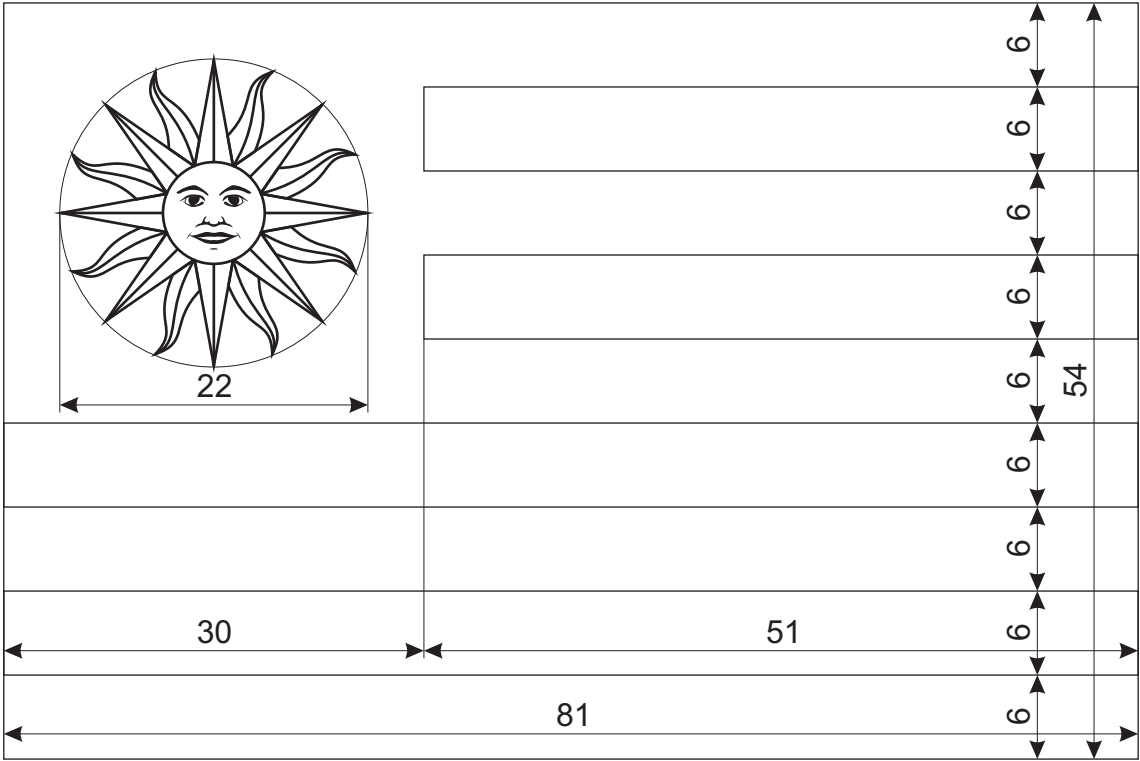
United States Virgin Islands

Adopted: 1921

Sources: * ratio and construction details not defined

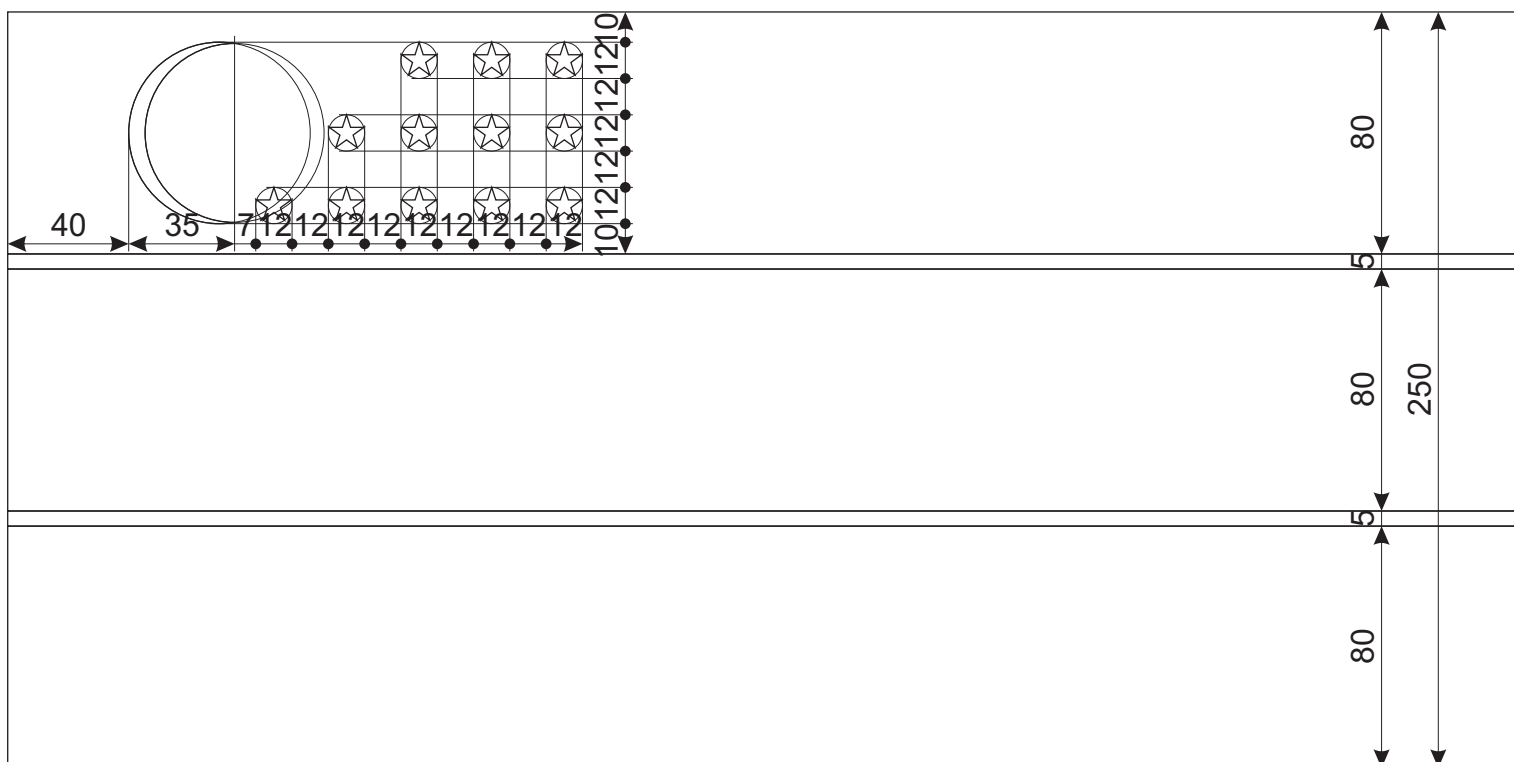
FOTW, Wikipedia

United States Virgin Islands (Governor?) Executive Order May 17, 1921.



Uruguay

Adopted: 1830 (1828)
 Sources:
 FOTW



Uzbekistan

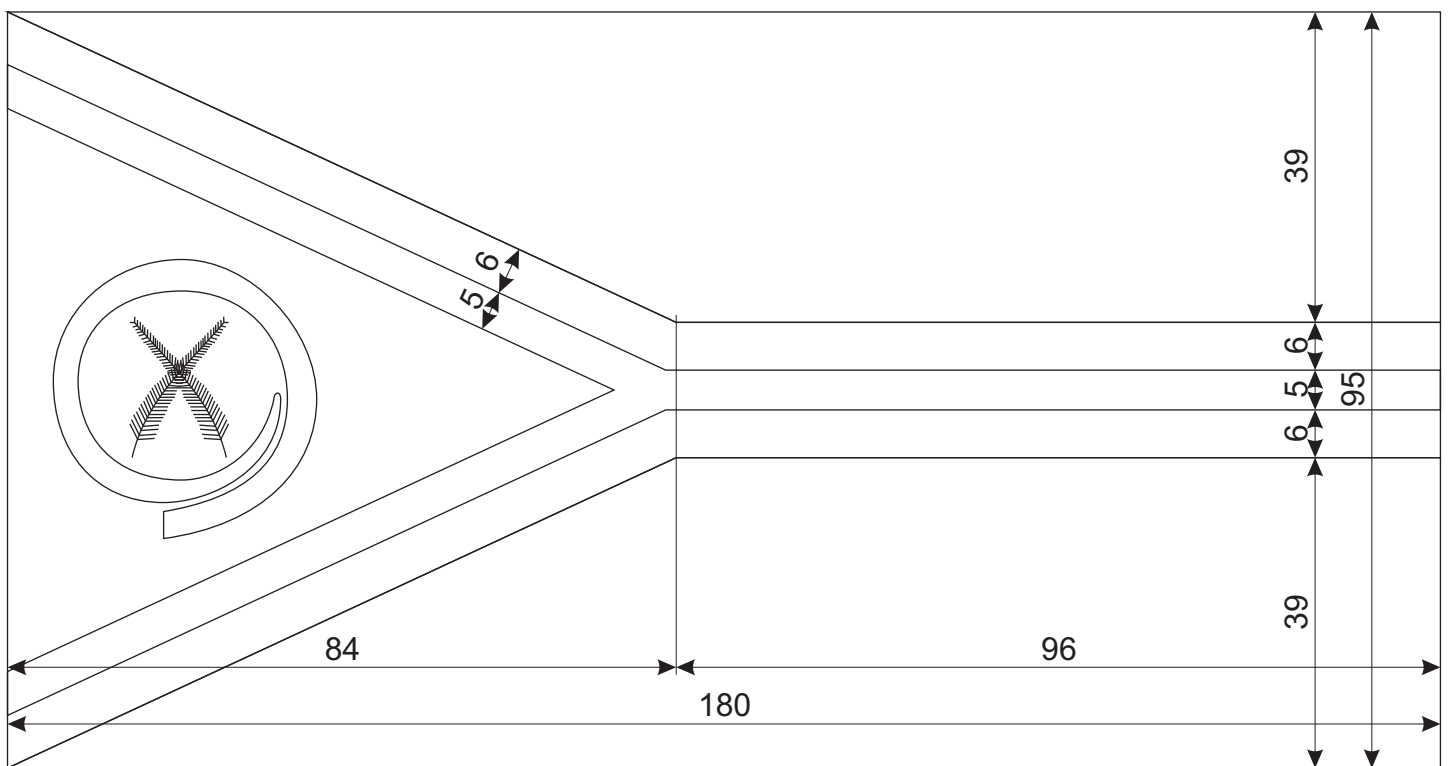
Adopted: 1991

Sources:

FOTW

Закон Республики Узбекистан о государственном флаге Республики Узбекистан, (Ведомости Верховного Совета Республики Узбекистан, 1992 г., № 1, ст. 27; Ведомости Олий Мажлиса Республики Узбекистан, 1999 г., № 5, ст. 124; Собрание законодательства Республики Узбекистан, 2004 г., № 51, ст. 514; 2010 г., № 51, ст. 484), http://lex.uz/Pages/GetAct.aspx?lact_id=57181

Закон Республики Узбекистан о внесении изменений и дополнений в некоторые законодательные акты Республики Узбекистан о государственных символах и Кодекс Республики Узбекистан об административной ответственности, 24.12.2010, http://www.vexillographia.ru/uzbekstn/texts/2010_state.doc



Vanuatu

Adopted: 1980

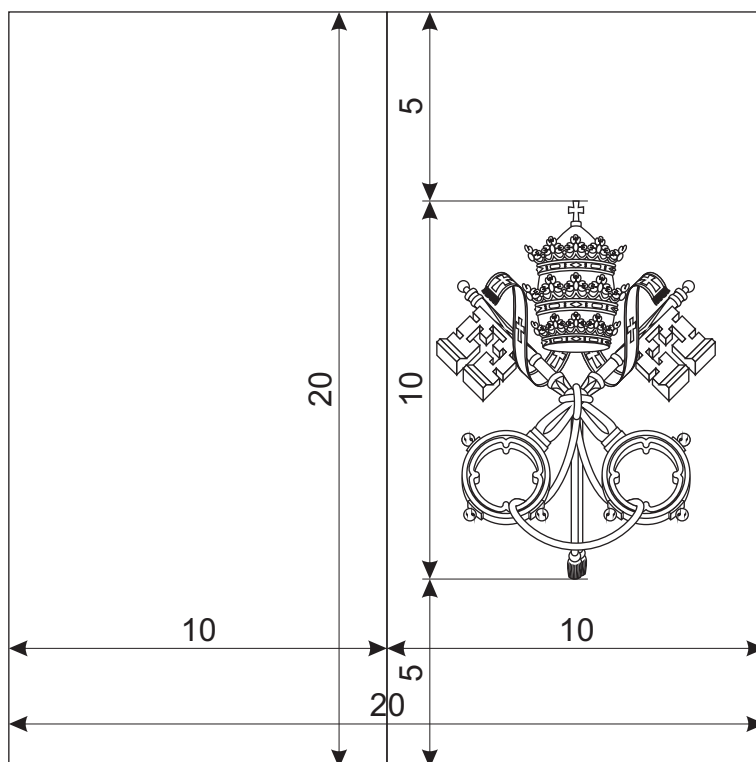
Sources:

FOTW

State Flag and Armorial Bearings Public Declaration [Cap 107], 19 March 1980,
http://www.paclii.org/vu/legis/consol_sub/sfaabpd392/

State Flag and Armorial Bearings Act [Cap 107], 30 July 1980, Laws of the
Republic of Vanuatu, COnsolidated Edition 2006,
http://www.paclii.org/vu/legis/consol_act/sfaaba265/

Michele R. Lupant: Des Nouvelles-Hébrides à Vanuatu, 1991.



Vatican

Adopted: 1929

Sources: * dimensions based on depiction in the official gazette

FOTW, Wikipedia

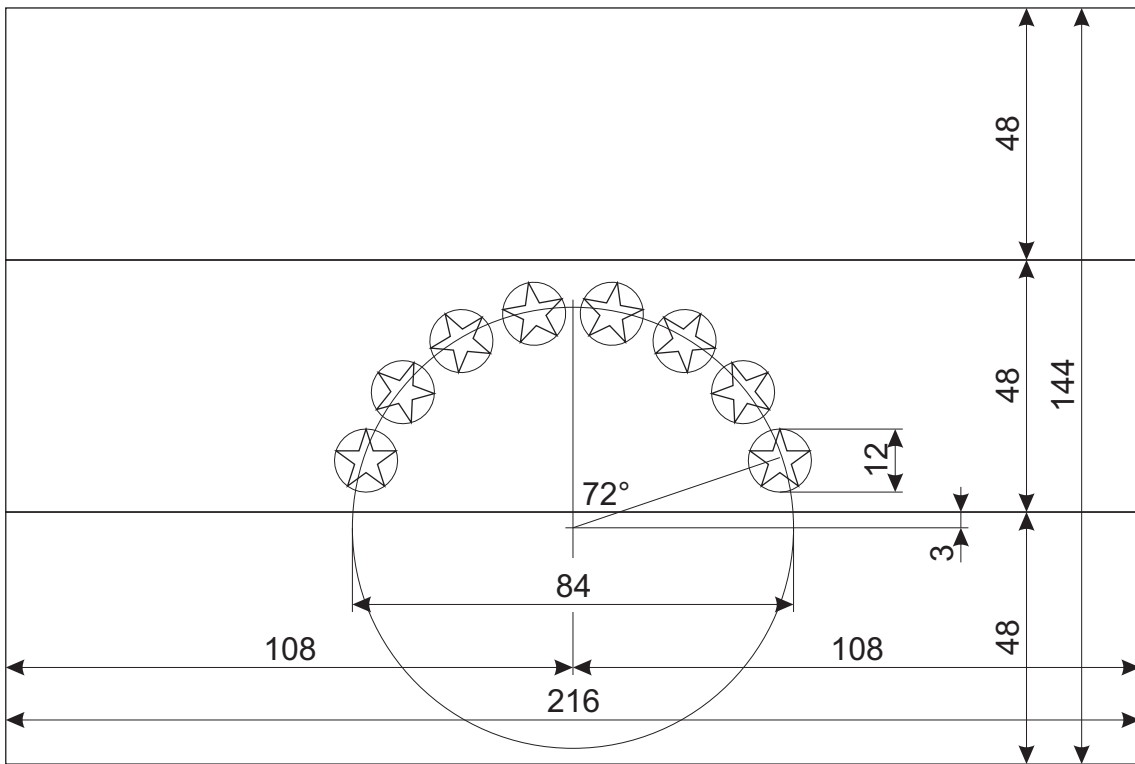
Fundamental Law of Vatican City State, 26-Nov-2000,

http://en.wikipedia.org/wiki/Fundamental_Law_of_Vatican_City_State

Legge fondamentale dello Stato della Città del Vaticano, 26 Novembre 2000, Acta Apostolicae Sedis, Supplemento per

le leggi e disposizioni dello Stato della Città del Vaticano, Pontificato di S. S. Giovanni Paolo II - Anno XXIII, pp. 75-83,

<http://www.vatican.va/archive/aas/documents/AAS%2092%20%5B2000%5D%20-%20ocr.pdf>

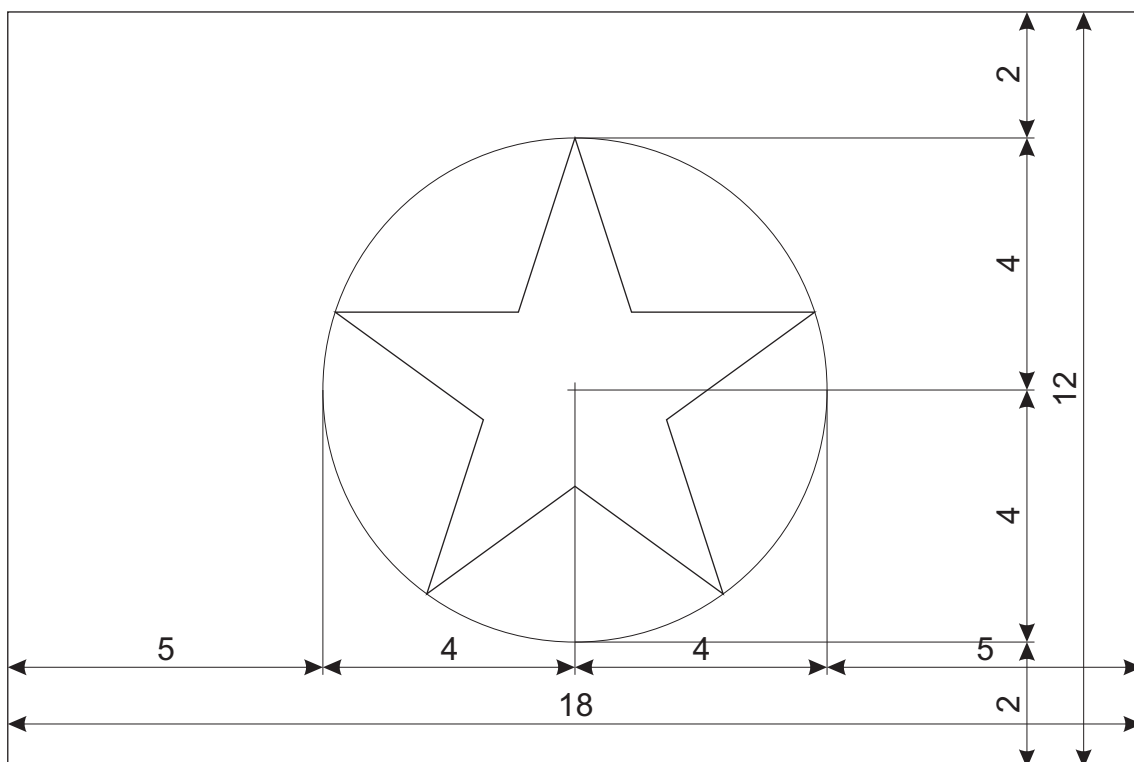


Venezuela

Adopted: 2006 (1954, 1811)

Sources: * dimensions not prescribed, here based on customary use, actual usage varies

FOTW



Vietnam

Adopted: 1955 (1945)

Sources: * dimensions of star not prescribed, here based on customatly use FOTW

Constitution of the Socialist Republic of Vietnam, 1992 amended 2001,
[http://www.vietnamlaws.com/freelaws/Constitution92\(aa01\).pdf](http://www.vietnamlaws.com/freelaws/Constitution92(aa01).pdf)

Hiến pháp năm 1992 (sửa đổi, bổ sung năm 2001)

http://vbqppl.moj.gov.vn/vbpq/Lists/Vn%20bn%20php%20lut/View_Detail.aspx?ItemID=22335

Constitution of the Socialist Republic of Vietnam, 1992, Hiến pháp năm 1992

http://vbqppl.moj.gov.vn/vbpq/Lists/Vn%20bn%20php%20lut/View_Detail.aspx?ItemID=11243

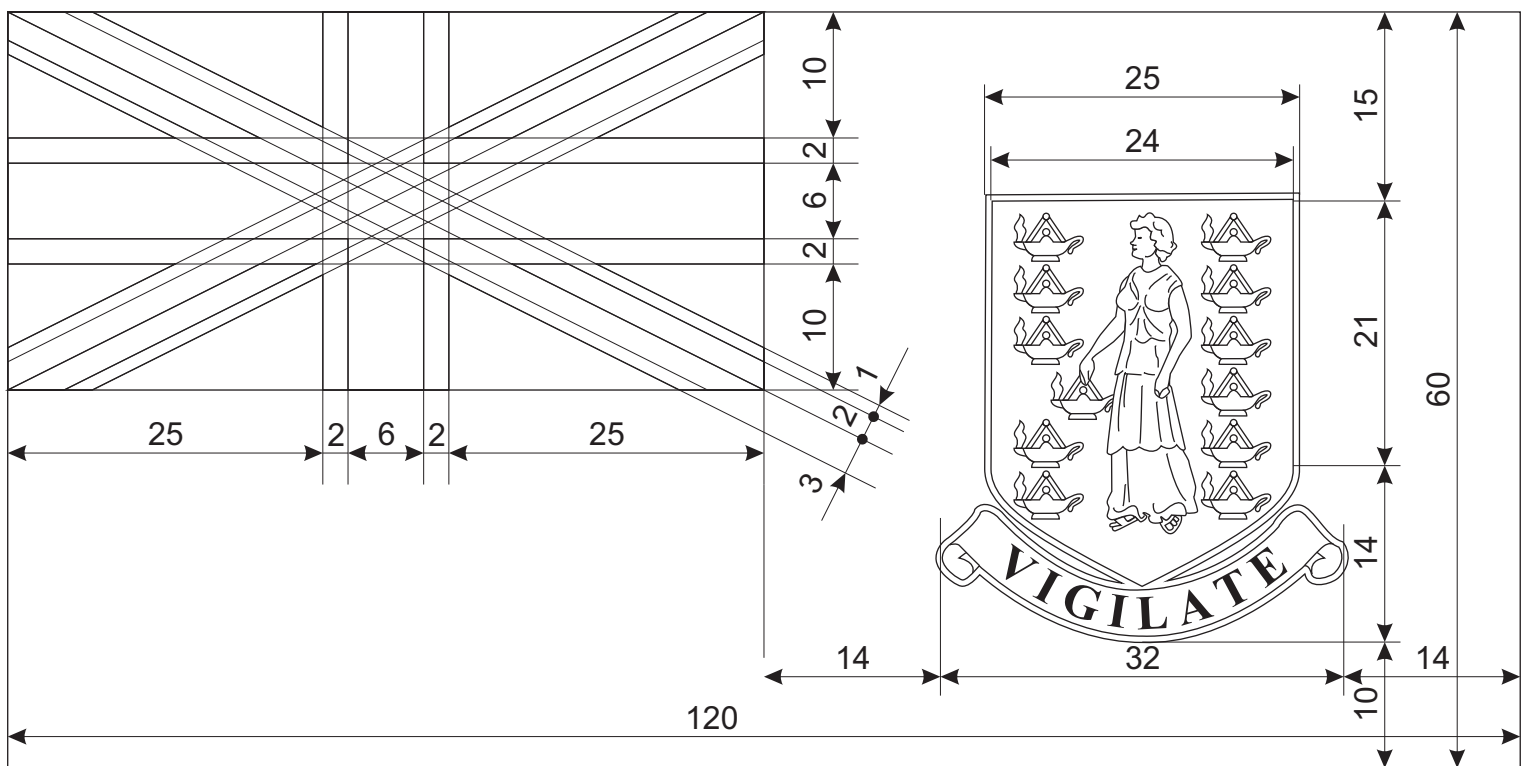
Constitution, 1980, Hiến pháp năm 1980

http://vbqppl.moj.gov.vn/vbpq/Lists/Vn%20bn%20php%20lut/View_Detail.aspx?ItemID=1536

Hiến pháp năm 1959 http://vbqppl.moj.gov.vn/vbpq/Lists/Vn%20bn%20php%20lut/View_Detail.aspx?ItemID=890

Hiến pháp năm 1946 http://vbqppl.moj.gov.vn/vbpq/Lists/Vn%20bn%20php%20lut/View_Detail.aspx?ItemID=536

Constitutions of VN <http://vbqppl.moj.gov.vn/Pages/vbpq.aspx?loaivb=Hi%E1%BA%BFn%20ph%C3%A1p>



Virgin Islands (British)

Adopted: 1999 (1960)

Sources:

FOTW, Wikipedia, WFD, BR20



Yemen

Adopted: 1990

Sources: * dimensions not prescribed, here based on customary use

FOTW

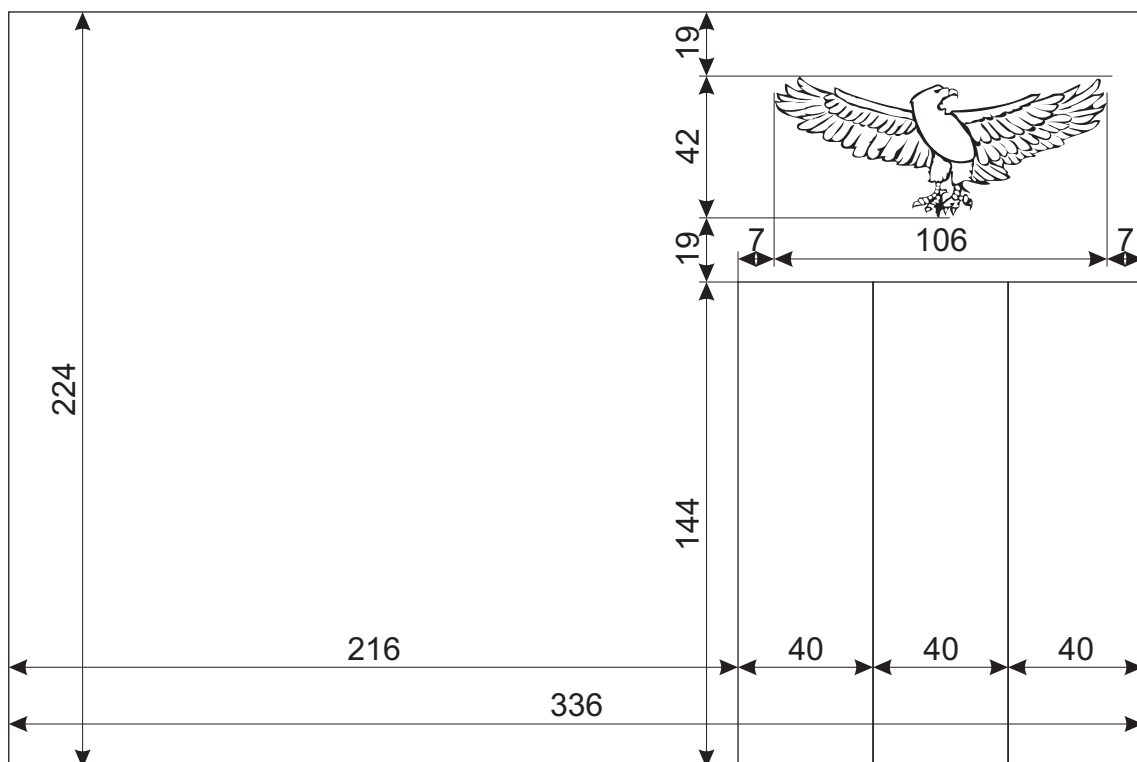
The Constitution of the Republic of Yemen, 1991, http://www.servat.unibe.ch/icl/ym00000_.html

The Constitution of the Republic of Yemen, 1994, <http://www.al-bab.com/yemen/gov/con94.htm>

The Constitution
of the Republic of Yemen

Amended via a Public Referendum – held on February 20, 2001,

<http://www.unhcr.org/refworld/category,LEGAL,,,YEM,3fc4c1e94,0.html>



Zambia

Adopted: 1994 (1965)

Sources:

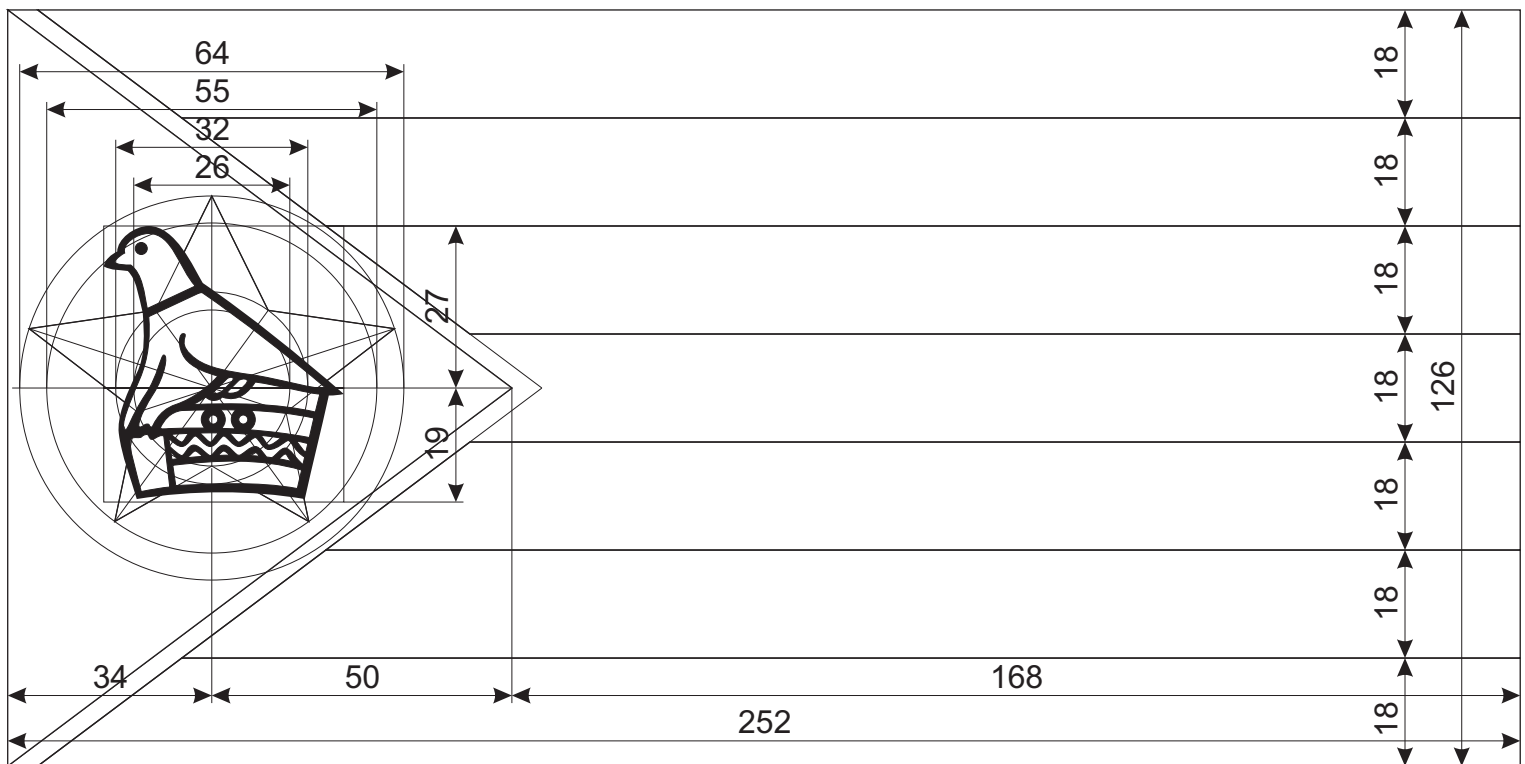
FOTW

The National Flag and Armorial Ensigns Act (Chapter 6), 1965, No. 23/1965, 04 June 1965, as amended by No.

13/1994, The Laws of Zambia, 1996 compilation, Volume 2, pp. 46-50,

<http://www.parliament.gov.zm/downloads/VOLUME%202.pdf>

National Flag and Armorial Ensigns Regulations, idem, pp. 50-52



Zimbabwe

Adopted: 1980

Sources:

FOTW

Presidential Order No. 16 of 1980 subsequently enacted as the Flag of Zimbabwe Act (Act 22/1985), Date of commencement: 18th April, 1980. <http://www.crwflags.com/fotw/flags/zw.html>